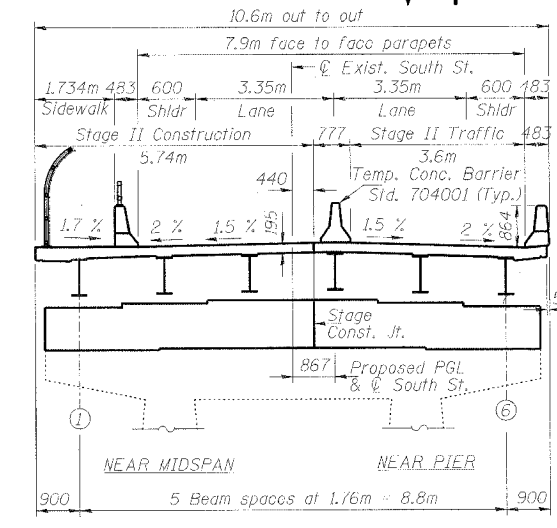
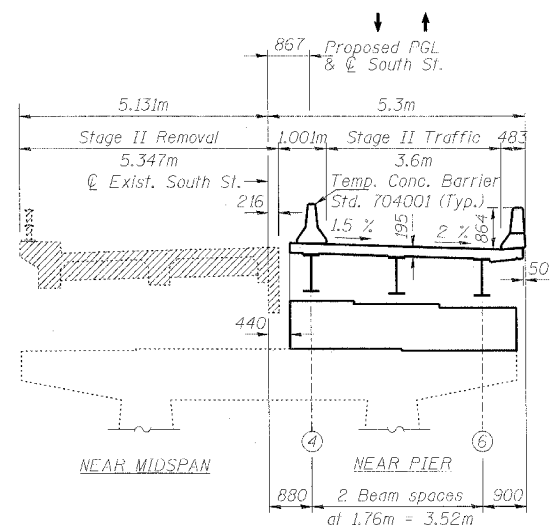
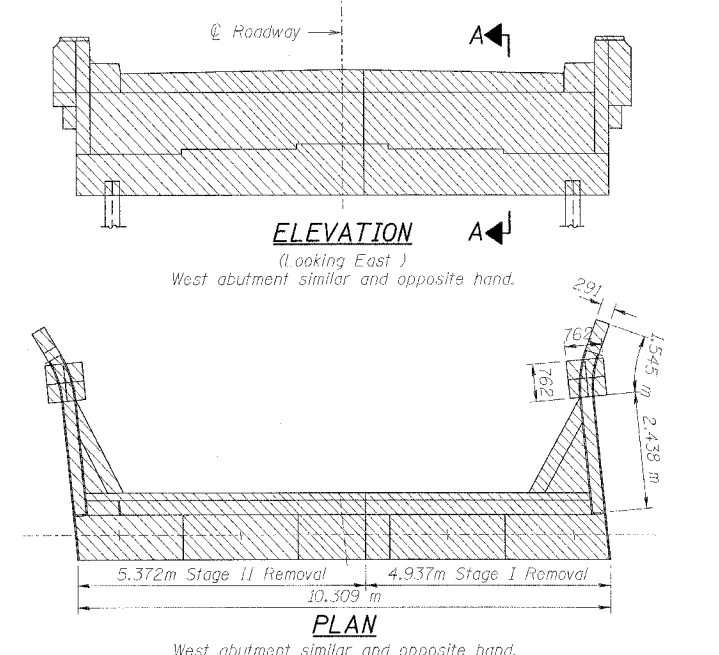
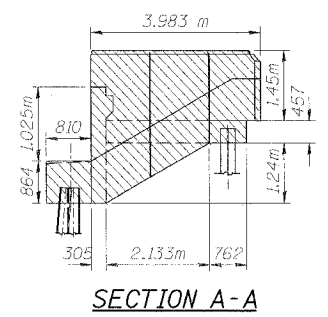
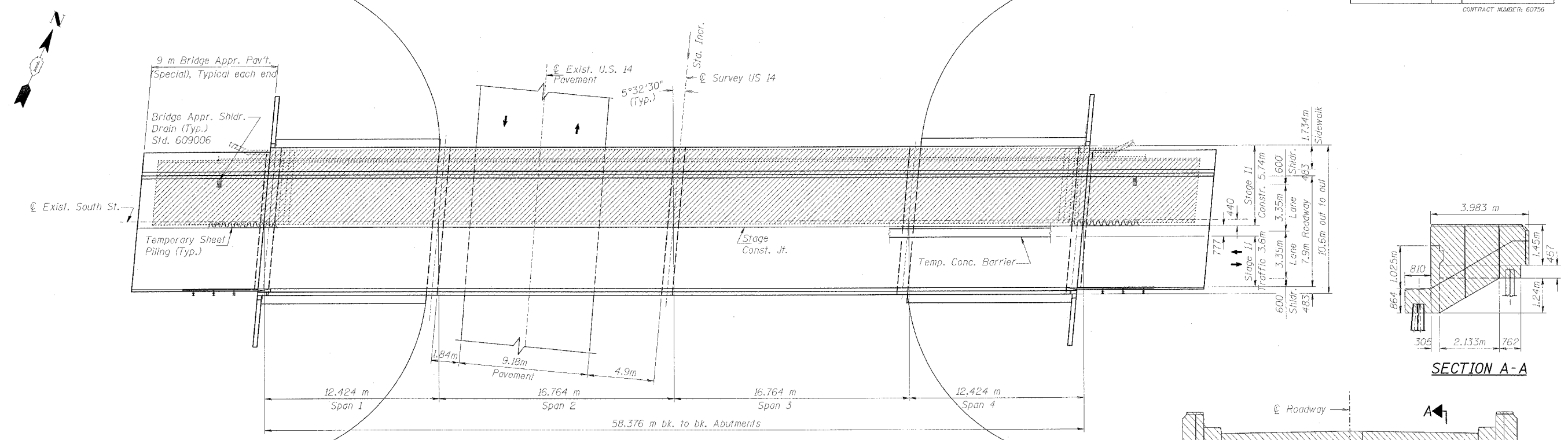


STATE OF ILLINOIS  
DEPARTMENT OF TRANSPORTATION

ROUTE NO.	SECTION	COUNTY	TOTAL SHEETS	SHEET NO.
F.A.P. Rt. 305	28R-2-RS-1	McHenry	53	17
FED. ROAD DIST. NO. 1	II INVIS	FED. AID PROJECT		
CONTRACT NUMBER: 60756				



BILL OF MATERIAL

ITEM	UNIT	TOTAL
Concrete Removal	Cu. Meter	21.4
Slopedwall Removal	Sq. Meter	115.6

**NOTE:**  
See roadway plans for quantity of Temporary Concrete Barrier.

**LEGEND:**

Superstructure Removal	
Concrete Removal	

STAGE II CONSTRUCTION & TRAFFIC			
Date	Designed MR	SOUTH ST. OVER US 14 FAP ROUTE NO. 305 SECTION 28R-2-RS-1 STATION 29+999.897 COUNTY McHENRY STRUCTURE NO. 056-3015	Sheet No.
Revisions	Drawn MR		4
	Checked KSM		
	Approved KSM		of 31
		65 East Jackson Blvd. Chicago, Illinois 60604 312646-8111	File Name: 1962S04.DGN Job No. 1962

12/27/2004 10:17:26 AM