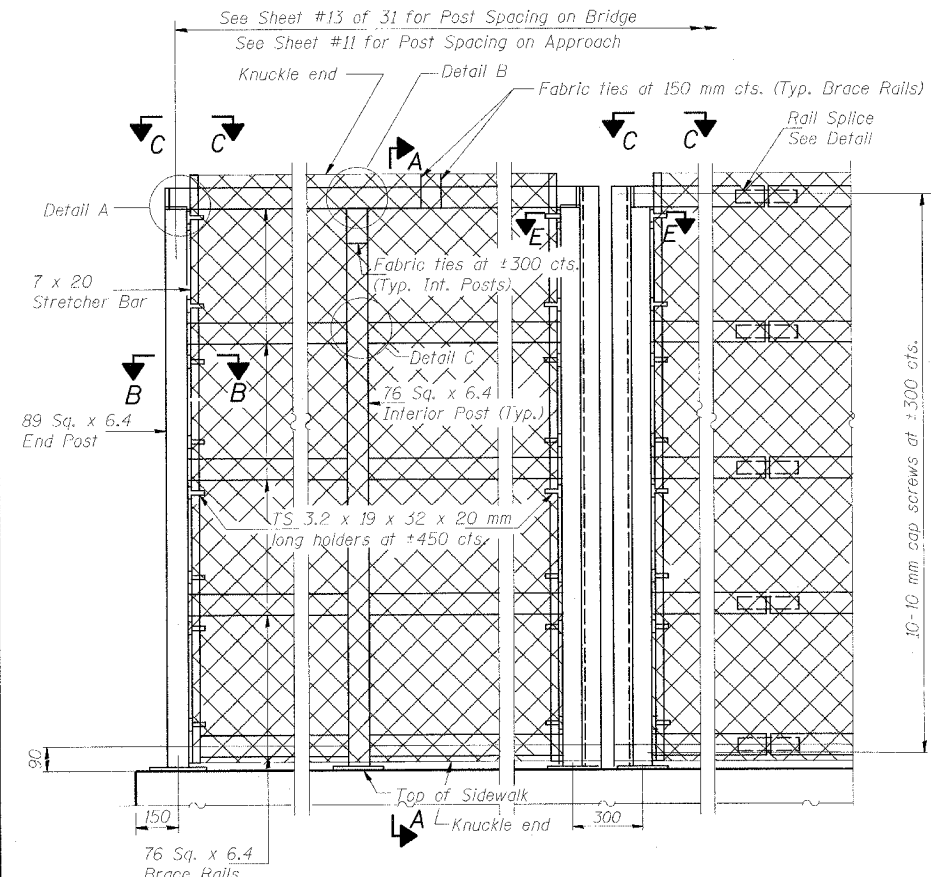
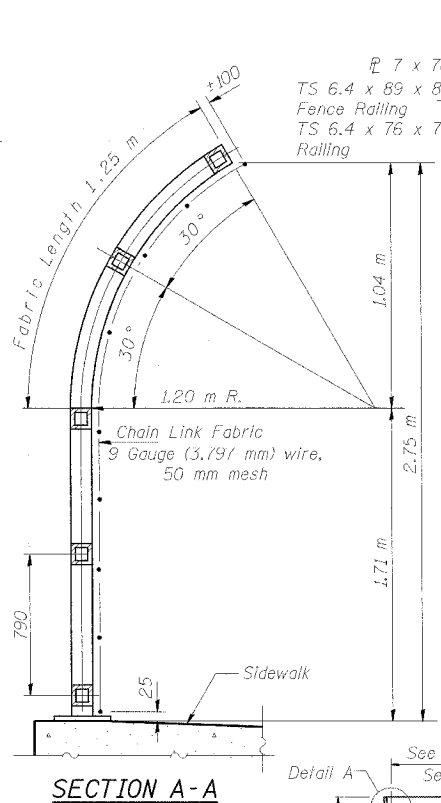


STATE OF ILLINOIS
DEPARTMENT OF TRANSPORTATION

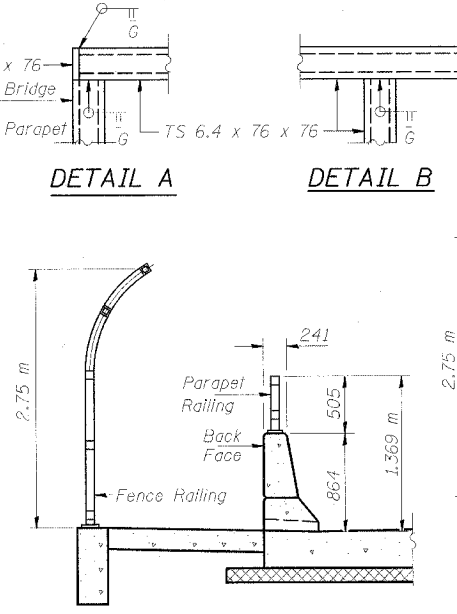
ROUTE NO.	SECTION	COUNTY	TOTAL SHEETS	SHEET NO.
F.A.P. Rt. 305	28R-2-RS-1	McHenry	53	27
FED. ROAD DIST. NO. 1		ILLINOIS	FED. AID PROJECT	
CONTRACT NUMBER: 60756				



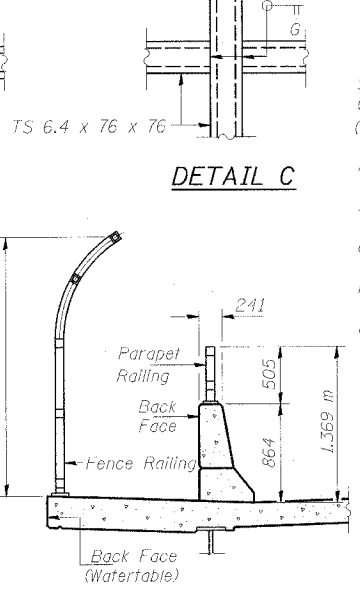
ELEVATION
(Inside Face)



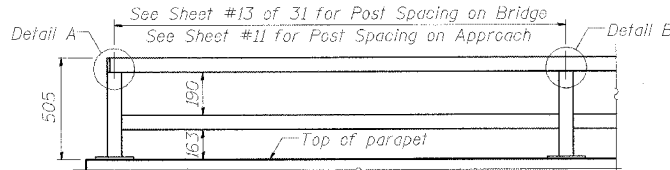
SECTION A-A



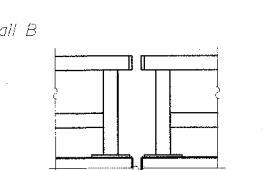
SECTION THRU APPROACH SLAB



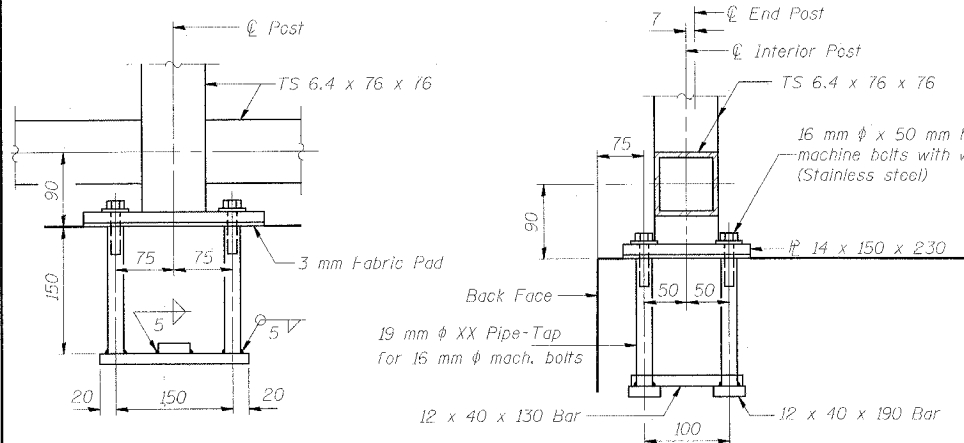
SECTION THRU DECK



PARAPET RAILING ELEVATION

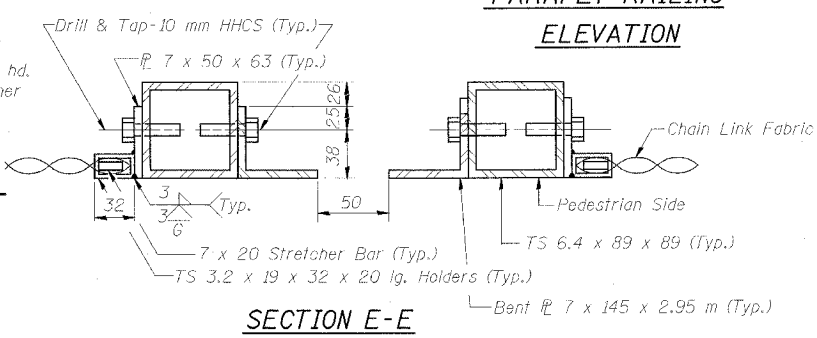


PARAPET RAILING ELEVATION AT JOINT

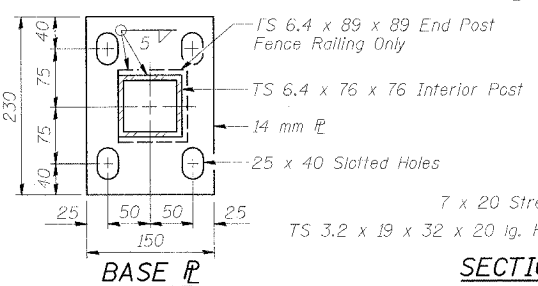


ANCHOR BOLT DETAILS

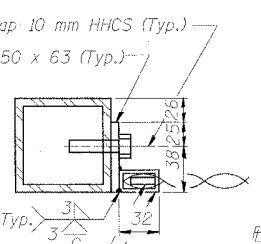
(In lieu of the cast-in-place anchor device shown, the Contractor has the option of drilling and epoxy grouting M16 anchor rods. Embedment shall be according to the manufacturer's specifications.)



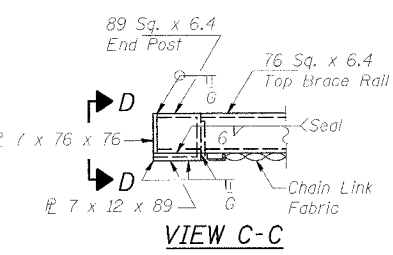
SECTION E-E



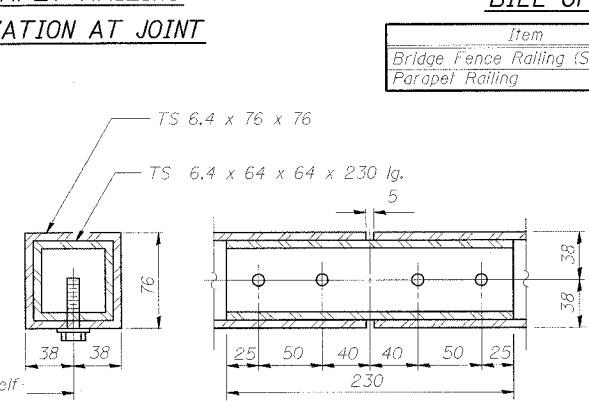
BASE PL



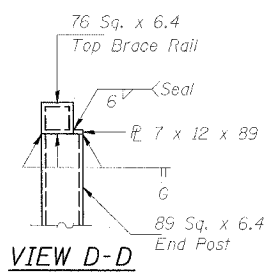
SECTION B-B



VIEW C-C



RAIL SPLICE



VIEW D-D

BILL OF MATERIAL

Item	Unit	Quantity
Bridge Fence Railing (Sidewalk)	m	58.2
Parapet Railing	m	58.2

BRIDGE FENCE & PARAPET RAILINGS

Date	Designed	MR	SOUTH ST. OVER US 14 FAP ROUTE NO. 305 SECTION 28R-2-RS-1 STATION 29+999.897 COUNTY McHENRY STRUCTURE NO. 056-3015	Sheet No.	
Revisions	Drawn	MR		14	of 31
	Checked	KSM			
	Approved	KSM			
HARRY O. HIEFTER-ASSOCIATES, INC. DESIGN AND CONSULTING ENGINEERS 85 East Jackson Blvd. Chicago, Illinois 60604 312/466-2181			File Name: 1962S14.DGN	Job No. 1962	

10:23:30 AM
12/27/2004