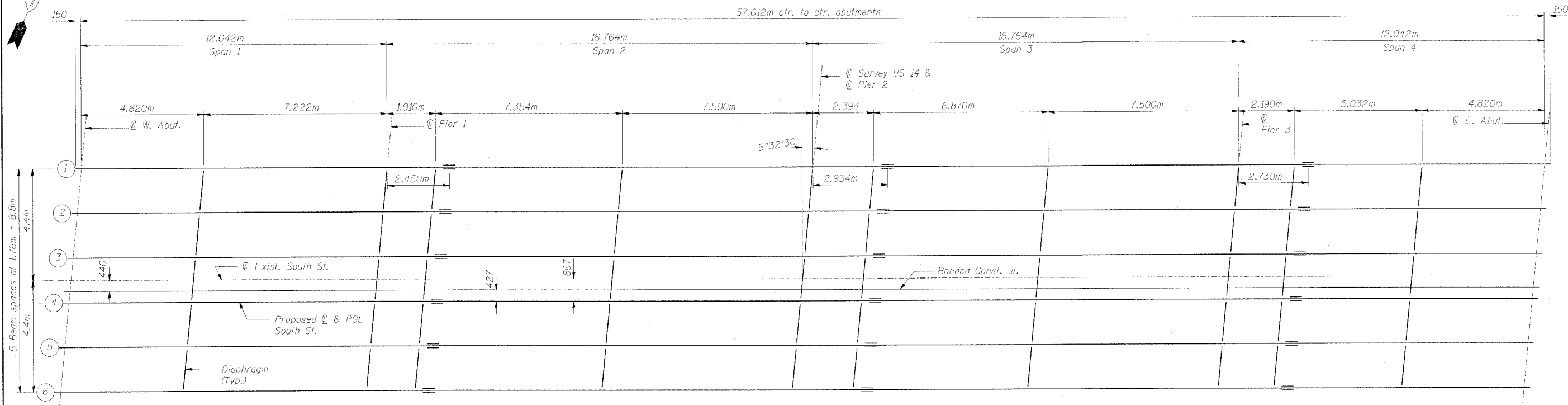
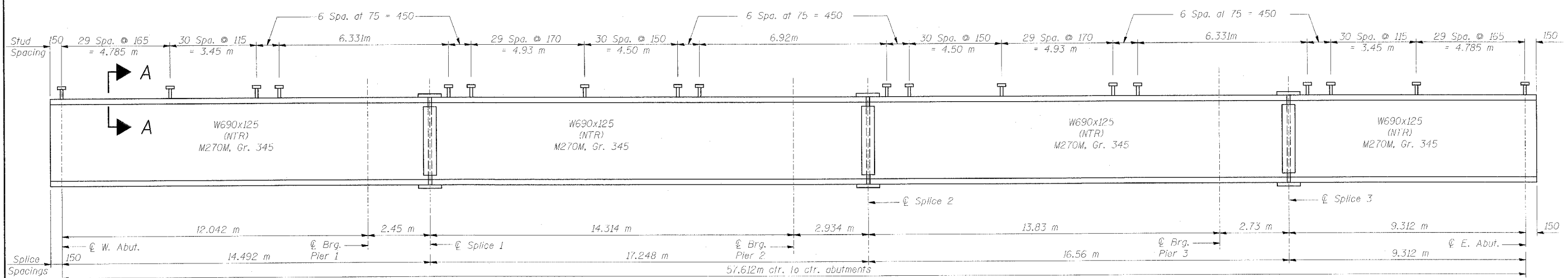


STATE OF ILLINOIS
DEPARTMENT OF TRANSPORTATION

ROUTE NO.	SECTION	COUNTY	TOTAL SHEETS	SHEET NO.
F.A.P. Rf. 305	28R-2-RS-1	McHenry	53	29
FED. ROAD DIST. NO. 1	ILLINOIS	FED. AID PROJECT		
CONTRACT NUMBER: 60756				



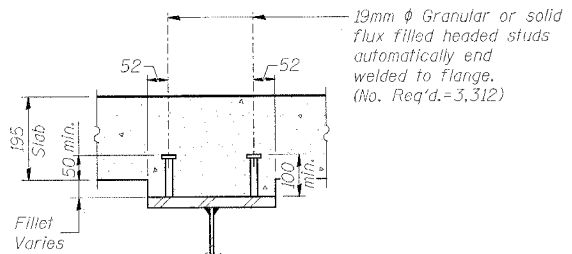
FRAMING PLAN



STRINGER ELEVATION

- NOTES:
- All Structural Steel for Beams and Splice Plates shall be M270M, Gr. 345.
 - "NTR" denotes notch toughness requirements.

**FOR INFORMATION PURPOSES ONLY.
STRUCTURAL STEEL BEING PROVIDED
UNDER A SEPARATE CONTRACT.
ONLY STUD SHEAR CONNECTORS
INCLUDED IN THIS CONTRACT.**



SECTION A-A

STEEL FRAMING PLAN			
Date	Designed MR	SOUTH ST. OVER US 14 FAP ROUTE NO. 305 SECTION 28R-2-RS-1 STATION 29+999.897 COUNTY McHENRY STRUCTURE NO. 056-3015	Sheet No.
Revisions	Drawn MR		16
	Checked KSM		of 31
	Approved KSM		
HARRY O. HEFFTER-ASSOCIATES, INC. DESIGN AND CONSULTING ENGINEERS 86 East Jackson Blvd. Chicago, Illinois 60604 312/466-0131		File Name: 1962S16.DGN	Job No. 1962

12/27/2004 10:24:40 AM