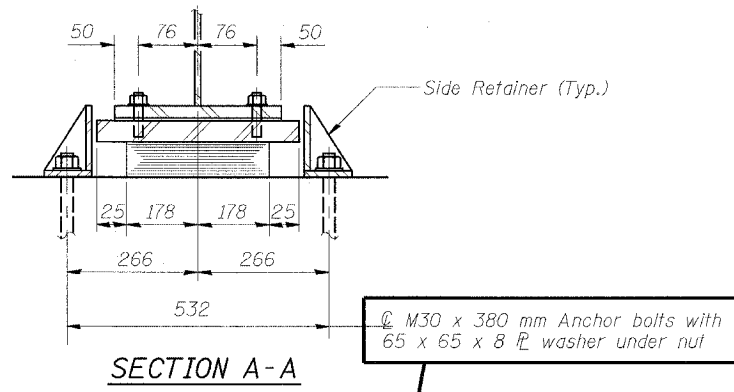
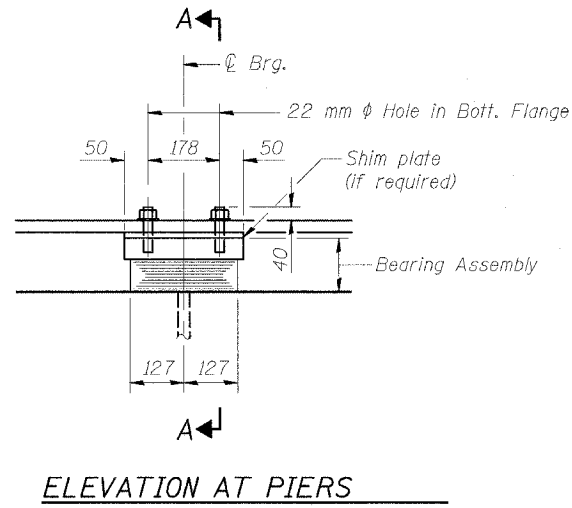


STATE OF ILLINOIS
DEPARTMENT OF TRANSPORTATION

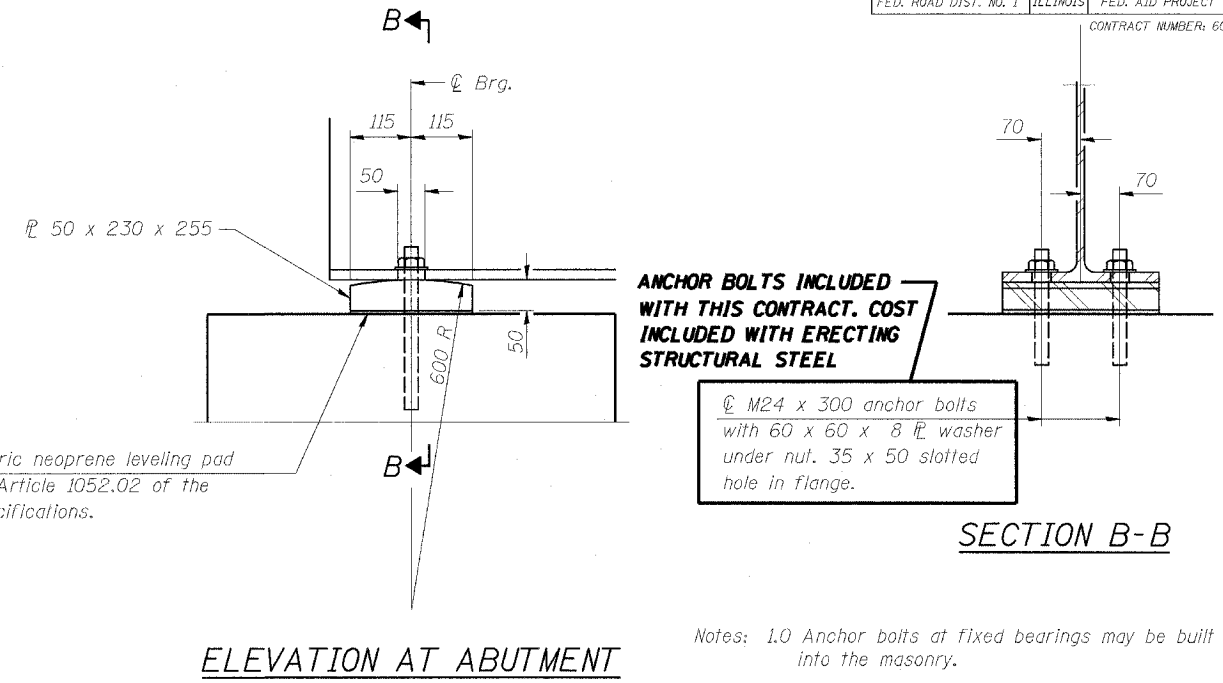
ROUTE NO.	SECTION	COUNTY	TOTAL SHEETS	SHEET NO.
F.A.P. Rt. 305	28R-2-RS-1	McHenry	53	31
FED. ROAD DIST. NO. 1	ILLINOIS	FED. AID PROJECT		

CONTRACT NUMBER: 60756



ANCHOR BOLTS INCLUDED WITH THIS CONTRACT. COST INCLUDED WITH ERECTING ELASTOMETIC BEARING ASSEMBLY, TYPE 1

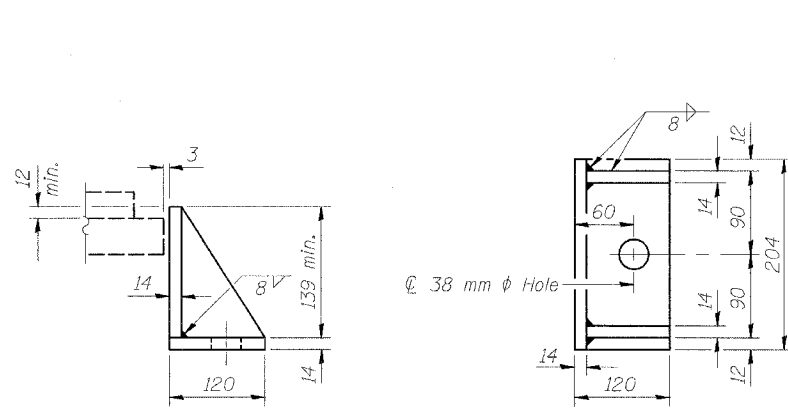
3mm elastomeric neoprene leveling pad according to Article 1052.02 of the Standard Specifications.



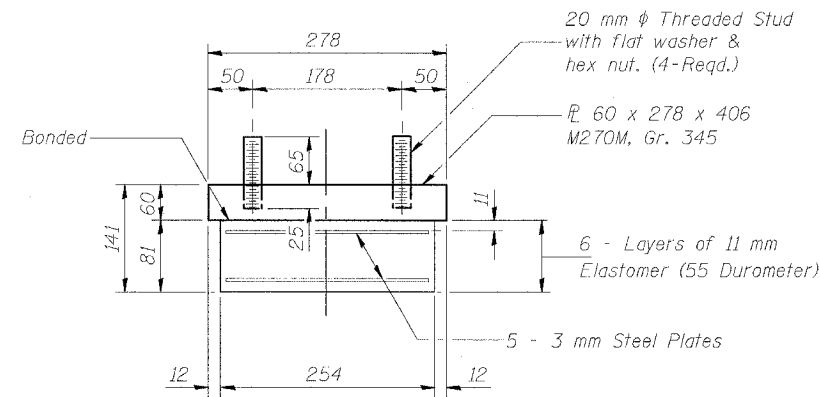
Notes: 1.0 Anchor bolts at fixed bearings may be built into the masonry.
2.0 See Sheet #19 of 31 for Anchor Bolt installation.

TYPE I ELASTOMETIC EXP. BRG.

FIXED BEARING
COST OF ERECTING FIXED BEARINGS INCLUDED WITH ERECTING STRUCTURAL STEEL.



Equivalent rolled angle with stiffeners will be allowed in lieu of welded plates.



Note: Shim plates shall not be placed under Bearing Assembly.

FOR INFORMATION ONLY. ALL MATERIAL, EXCEPT ANCHOR BOLTS AND FIX BEARING SHIM PLATES, SHOWN ON THIS DRAWING IS BEING PROVIDED UNDER A SEPARATE CONTRACT. ONLY ERECTION OF THE BEARINGS AND FURNISHING AND INSTALLATION OF THE ANCHOR BOLTS IS INCLUDED IN THIS CONTRACT

BILL OF MATERIAL

Item	Unit	Total
Erecting Elastomeric Bearing Assembly, Type 1	Each	18

BEARING DETAILS

Date	Designed MR	SOUTH ST. OVER US 14 FAP ROUTE NO. 305 SECTION 28R-2-RS-1 STATION 29+999.897 COUNTY McHENRY STRUCTURE NO. 056-3015	Sheet No.
Revisions	Drawn MR/RV		18
	Checked KSM		of 31
	Approved KSM		
HARRY O. HEPTER ASSOCIATES, INC. DESIGN AND CONSULTING ENGINEERS		65 East Jackson Blvd. Chicago, Illinois 60604 312/466-5131	File Name: 1962S18.DGN Job No. 1962

\$DATE\$ \$TIME\$ \$FILE\$