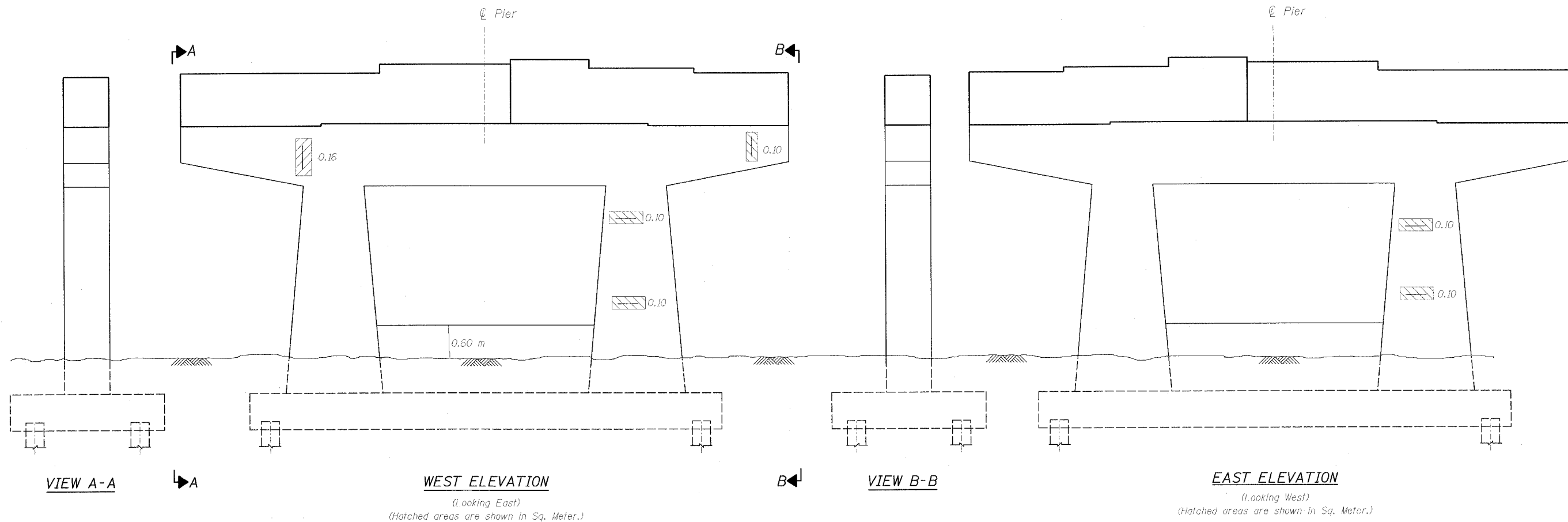


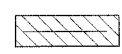

STATE OF ILLINOIS
DEPARTMENT OF TRANSPORTATION

ROUTE NO.	SECTION	COUNTY	TOTAL SHEETS	SHEET NO.
F.A.P. Rt. 305	28R-2-RS-1	McHenry	53	37
FED. ROAD DIST. NO. 1	ILLINOIS	FED. AID PROJECT		

CONTRACT NUMBER: 60756



LEGEND:

-  Formed Concrete Repair
(Depth equal to or less than 125mm)
-  Epoxy crack sealing


BILL OF MATERIAL

ITEM	UNIT	TOTAL
Formed Concrete Repair (Depth equal to or less than 125mm)	Sq. Meter	0.66
Formed Concrete Repair (Depth greater than 125mm)	Sq. Meter	0.66
Epoxy Crack Sealing	Meter	0.60

NOTE:

All crack lengths and repair areas are approximate.

PIER 3 REPAIRS

Date	Designed MR	SOUTH ST. OVER US 14 FAP ROUTE NO. 305 SECTION 28R-2-RS-1 STATION 29+999.897 COUNTY McHENRY STRUCTURE NO. 056-3015	Sheet No.
Revisions	Drawn MR		24
	Checked KSM		
	Approved KSM		
 HARRY O. HEMPTER-ASSOCIATES, INC. DESIGN AND CONSULTING ENGINEERS 55 East Jackson Blvd. Chicago, Illinois 60604 312646-8191		File Name: 1962S24.DGN	Job No. 1962

10:30:40 AM
12/27/2004