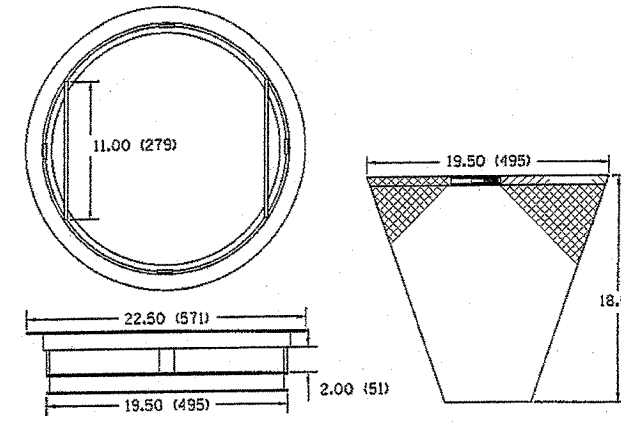


| | | | |
|---------------------|---------------------------|--------|-------------|
| F.A.I. RTE. | SECTION | COUNTY | TOTAL SHEET |
| | 29R-2-RS-1 McHENRY | | 53 145 |
| STA. | TO STA. | | |
| FED. ROAD DIST. NO. | ILLINOIS FED. AID PROJECT | | |

CONTRACT No. 60756

TYPE I INLET FILTER

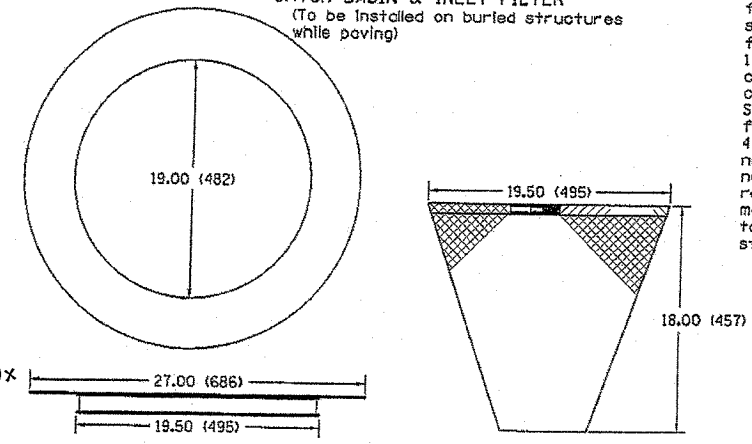


NOTES:
 FRAME: Top ring shall be fabricated from 1/4" (31.7) x 1/4" (31.7) x 1/8" (3.1) angle. Base ring shall be fabricated from 1/2" (38.1) x 1/2" (12.7) x 1/8" (3.1) channel. Handles and suspension brackets shall be fabricated from 1/4" (31.7) x 1/4" (6.3) flat stock. Domestic steel conforming to ASTM-A36.
 SEDIMENT BAG: Shall be fabricated from 4 oz./sq. yd. (0.142 L/SQ M) non-woven polypropylene geotextile and shall be reinforced with polyester mesh. The bag shall be secured to the base ring with a stainless steel strap and lock.

TYPE 23 INLET FILTER

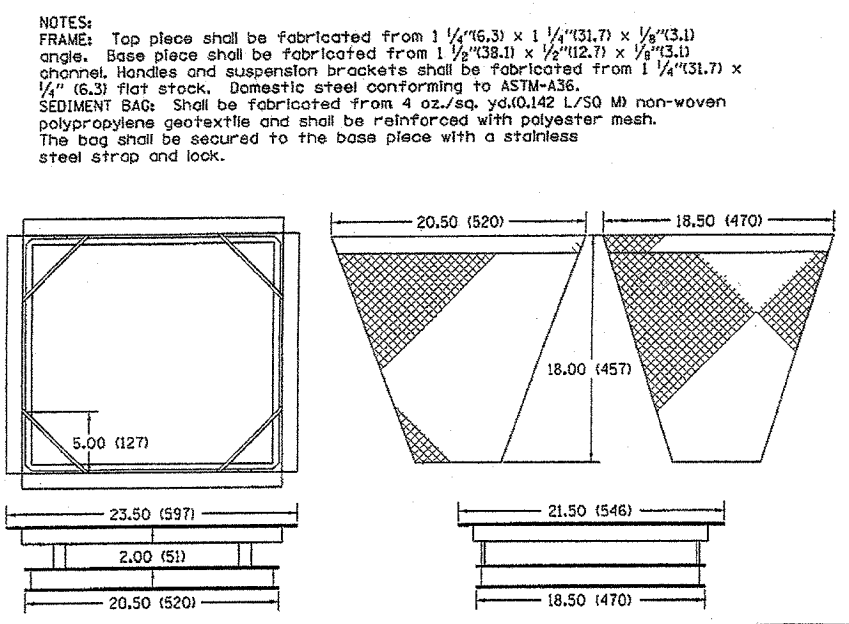
NOTES:
 FRAME: Top piece shall be fabricated from 1/4" (6.3) x 1/4" (31.7) x 1/8" (3.1) angle. Base piece shall be fabricated from 1/2" (38.1) x 1/2" (12.7) x 1/8" (3.1) channel. Handles and suspension brackets shall be fabricated from 1/4" (31.7) x 1/4" (6.3) flat stock. Domestic steel conforming to ASTM-A36.
 SEDIMENT BAG: Shall be fabricated from 4 oz./sq. yd. (0.142 L/SQ M) non-woven polypropylene geotextile and shall be reinforced with polyester mesh. The bag shall be secured to the base piece with a stainless steel strap and lock.

CATCH BASIN & INLET FILTER
 (To be installed on buried structures while paving)

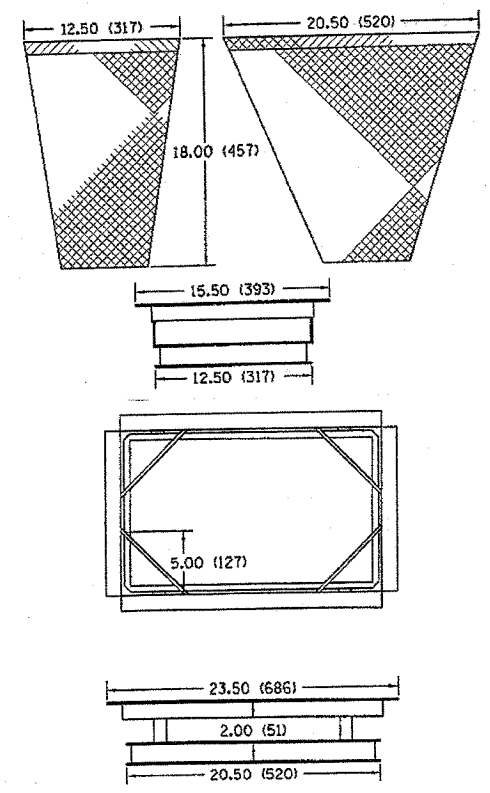


NOTES:
 FRAME: Flange shall be fabricated from 1/8" (3.1) flat stock. Base ring shall be fabricated from 1/2" (38.1) x 1/2" (12.7) x 1/8" (3.1) channel. Domestic steel conforming to ASTM-A36.
 SEDIMENT BAG: Shall be fabricated from 4 oz./sq. yd. (0.142 L/SQ M) non-woven polypropylene geotextile and shall be reinforced with polyester mesh. The bag shall be secured to the base ring with a stainless steel strap and lock.

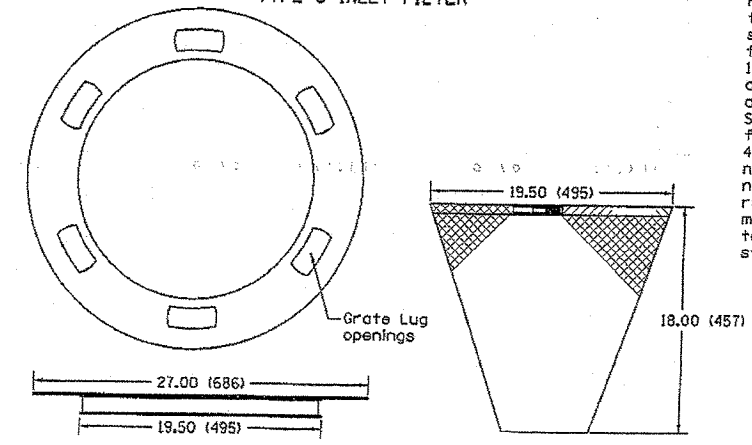
TYPE 24 INLET FILTER



NOTES:
 FRAME: Top piece shall be fabricated from 1/4" (6.3) x 1/4" (31.7) x 1/8" (3.1) angle. Base piece shall be fabricated from 1/2" (38.1) x 1/2" (12.7) x 1/8" (3.1) channel. Handles and suspension brackets shall be fabricated from 1/4" (31.7) x 1/4" (6.3) flat stock. Domestic steel conforming to ASTM-A36.
 SEDIMENT BAG: Shall be fabricated from 4 oz./sq. yd. (0.142 L/SQ M) non-woven polypropylene geotextile and shall be reinforced with polyester mesh. The bag shall be secured to the base piece with a stainless steel strap and lock.



TYPE 8 INLET FILTER



NOTES:
 FRAME: Flange shall be fabricated from 1/8" (3.1) flat stock. Base ring shall be fabricated from 1/2" (38.1) x 1/2" (12.7) x 1/8" (3.1) channel. Domestic steel conforming to ASTM-A36.
 SEDIMENT BAG: Shall be fabricated from 4 oz./sq. yd. (0.142 L/SQ M) non-woven polypropylene geotextile and shall be reinforced with polyester mesh. The bag shall be secured to the base ring with a stainless steel strap and lock.

NOTE: ALL UNITS ARE IN INCHES (MILLIMETERS) UNLESS OTHERWISE NOTED

| REVISIONS | | ILLINOIS DEPARTMENT OF TRANSPORTATION |
|------------|------|---------------------------------------|
| NAME | DATE | |
| | | INLET FILTER DETAILS |
| | | |
| | | |
| | | |
| | | |
| | | |
| | | |
| | | |
| | | |
| | | |
| SCALE NONE | | DRAWN BY |
| DATE | | |