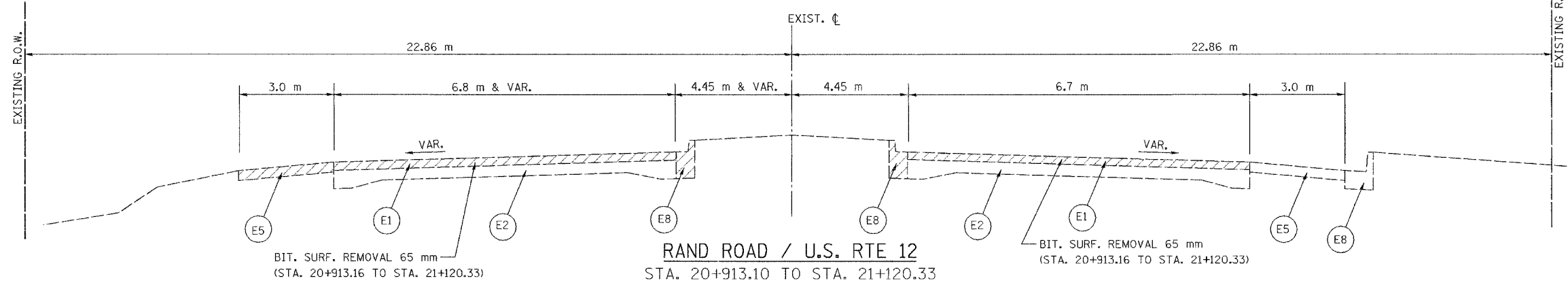
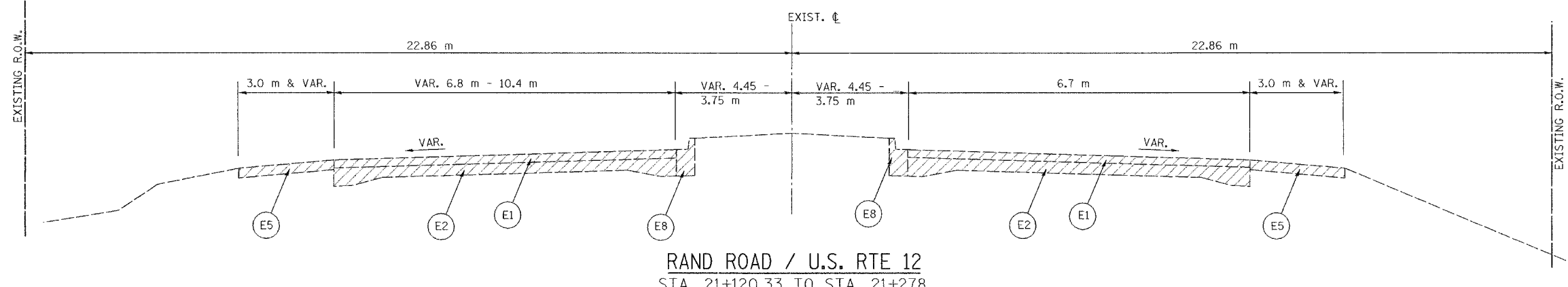


F.A. RTE.	SECTION	COUNTY	TOTAL SHEETS	SHEET NO.
337	19R-1	LAKE	800	21
STA.		TO STA.		
FED. ROAD DIST. NO.		ILLINOIS FED. AID PROJECT		

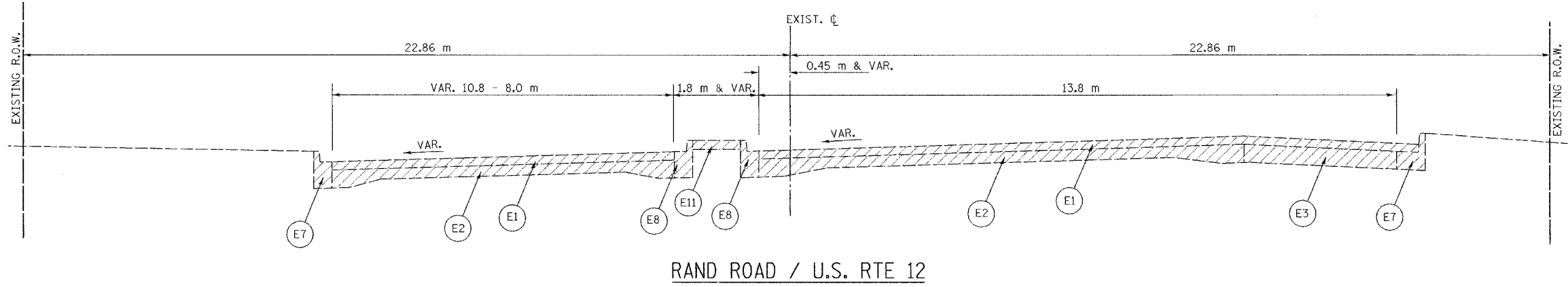
60997



RAND ROAD / U.S. RTE 12
STA. 20+913.16 TO STA. 21+120.33



RAND ROAD / U.S. RTE 12
STA. 21+120.33 TO STA. 21+278



RAND ROAD / U.S. RTE 12
STA. 21+278 TO STA. 21+423

LEGEND:

- (E1) EXISTING BITUMINOUS CONCRETE OVERLAY 190 mm±
- (E2) EXISTING PCC PAVEMENT 225 mm±
- (E3) EXISTING BITUMINOUS BASE COURSE 90 mm±
- (E4) EXISTING PCC BASE COURSE 230 mm±
- (E5) EXISTING BITUMINOUS SHOULDER 200mm±
- (E6) EXISTING AGGREGATE SHOULDER
- (E7) EXISTING CONCRETE CURB & GUTTER B-15.30
- (E8) EXISTING CONCRETE CURB & GUTTER B-15.60
- (E9) EXISTING CONCRETE CURB TYPE B
- (E10) EXISTING P.C.C. SIDEWALK
- (E11) EXISTING CONCRETE MEDIAN

REVISIONS	
NAME	DATE

ILLINOIS DEPARTMENT OF TRANSPORTATION
ILLINOIS ROUTE 22
FROM US RTE 12 TO BUESCHING RD
RAND ROAD / U.S. RTE 12
EXISTING TYPICAL SECTIONS

SCALE :
DATE : 07/21/04

DESIGNED BY SOI
CHECKED BY