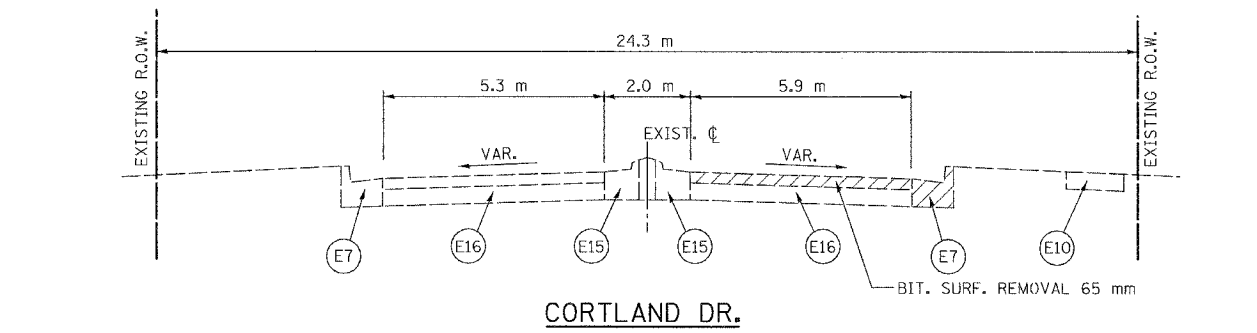
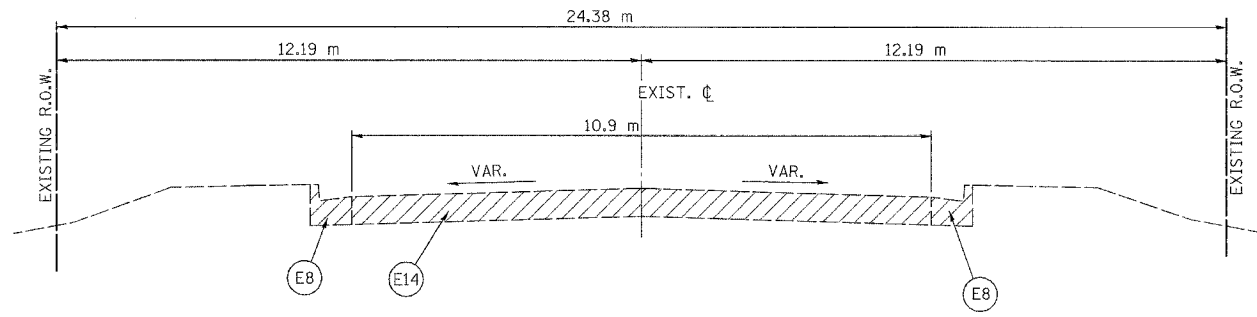


F.A. RTE.	SECTION	COUNTY	TOTAL SHEETS	SHEET NO.
337	19R-1	LAKE	800	23
STA.		TO STA.		
FED. ROAD DIST. NO.		ILLINOIS FED. AID PROJECT		

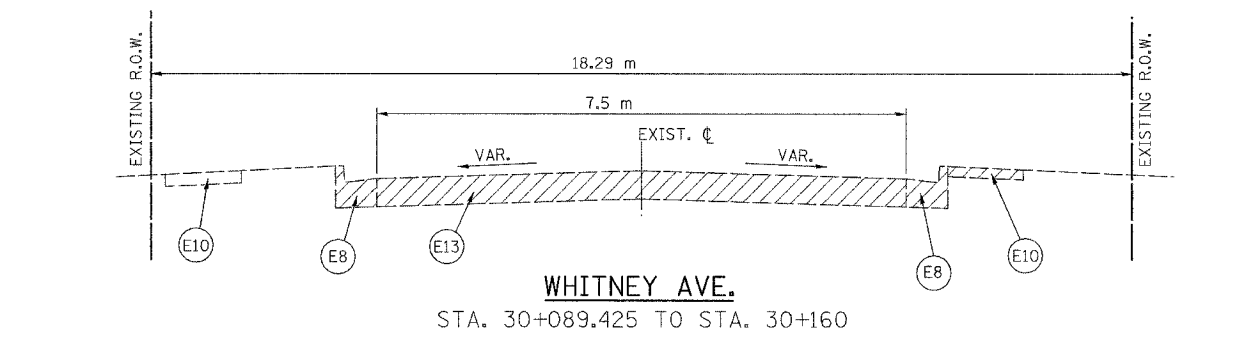
60997



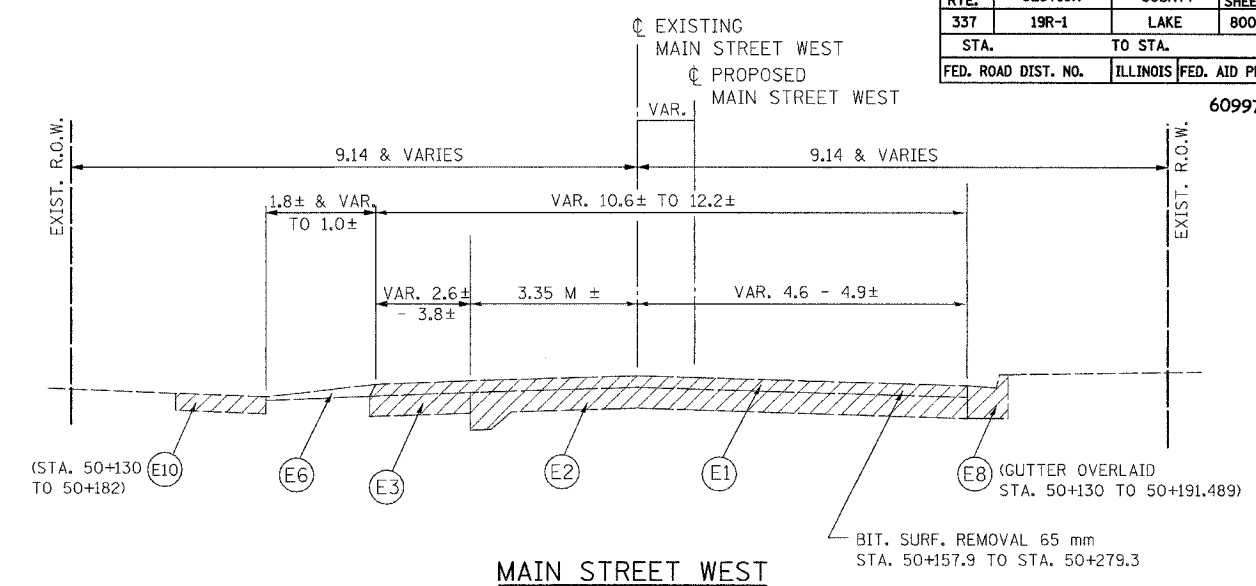
CORTLAND DR.



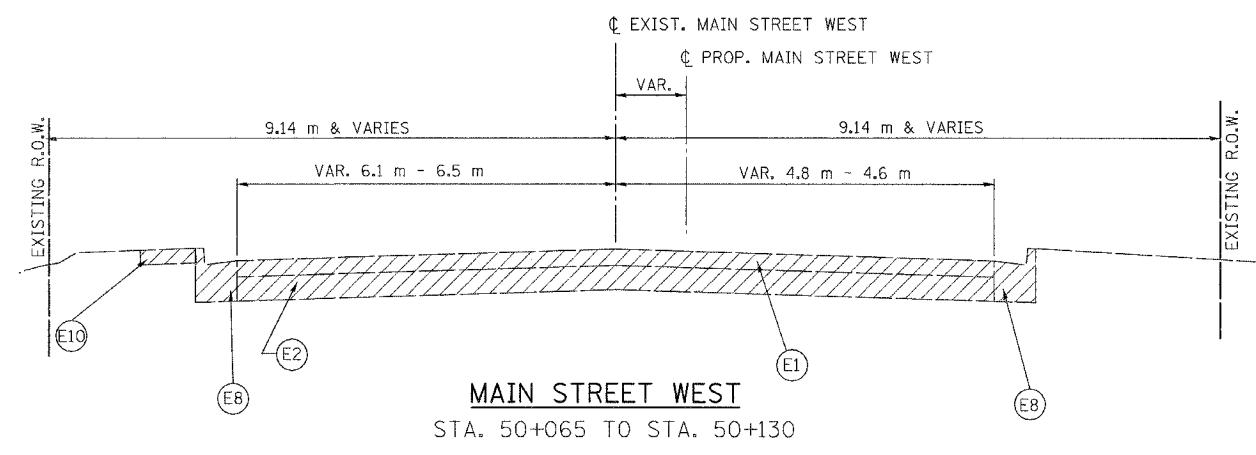
ELA ROAD
STA. 40+028.38 TO STA. 40+095.964



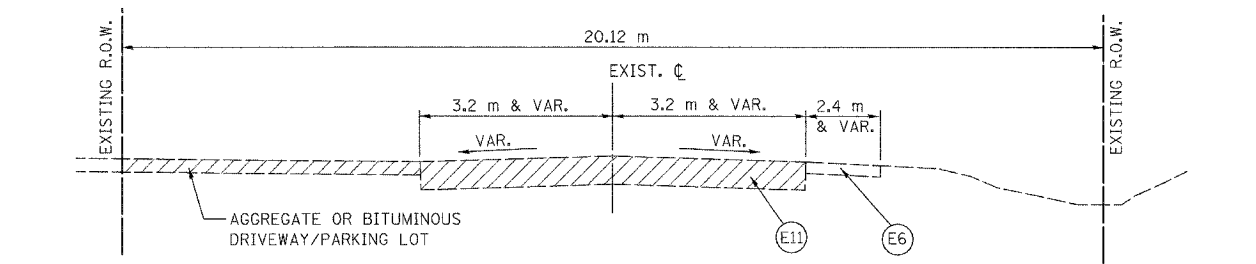
WHITNEY AVE.
STA. 30+089.425 TO STA. 30+160



MAIN STREET WEST
STA. 50+000 TO STA. 50+065
STA. 50+130 TO STA. 50+157.9



MAIN STREET WEST
STA. 50+065 TO STA. 50+130



GENESSEE STREET
STA. 8+900 TO STA. 9+290

- LEGEND:**
- (E1) EXISTING BITUMINOUS CONCRETE OVERLAY 200 mm±
 - (E2) EXISTING PCC PAVEMENT 225 mm±
 - (E3) EXISTING BITUMINOUS BASE COURSE 150 mm±
 - (E4) EXISTING PCC BASE COURSE 230 mm±
 - (E5) EXISTING BITUMINOUS SHOULDER 200mm±
 - (E6) EXISTING AGGREGATE SHOULDER
 - (E7) EXISTING CONCRETE CURB & GUTTER B-15.30
 - (E8) EXISTING CONCRETE CURB & GUTTER B-15.60
 - (E9) EXISTING CONCRETE CURB TYPE B
 - (E10) EXISTING P.C.C. SIDEWALK
 - (E11) EXISTING BITUMINOUS PAVEMENT 140 mm±
 - (E12) EXISTING BITUMINOUS PAVEMENT 215 mm±
 - (E13) EXISTING BITUMINOUS PAVEMENT 225 mm±
 - (E14) EXISTING BITUMINOUS PAVEMENT 250 mm±
 - (E15) EXISTING CONCRETE CURB & GUTTER M-6.30
 - (E16) EXISTING BITUMINOUS PAVEMENT

REVISIONS	
NAME	DATE

ILLINOIS DEPARTMENT OF TRANSPORTATION
ILLINOIS ROUTE 22
FROM US RTE 12 TO BUESCHING RD
ELA RD., WHITNEY AVE., MAIN ST. WEST,
GENESSEE ST., PRAIRIE LN. & MEADOW LN.
EXISTING TYPICAL SECTIONS

SCALE :
DATE : 07/21/04

DESIGNED BY SOI
CHECKED BY