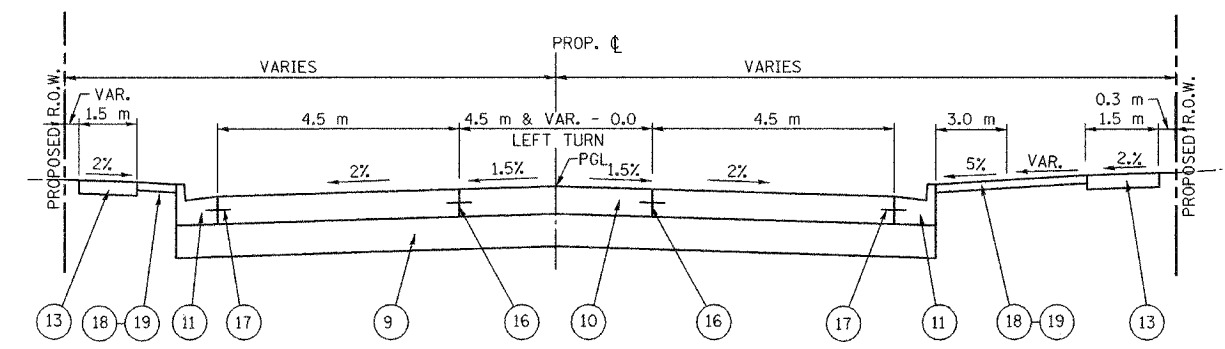
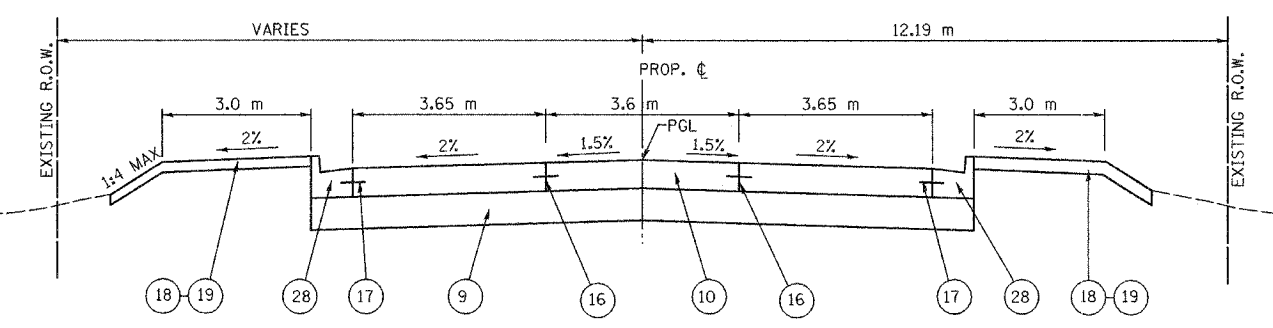


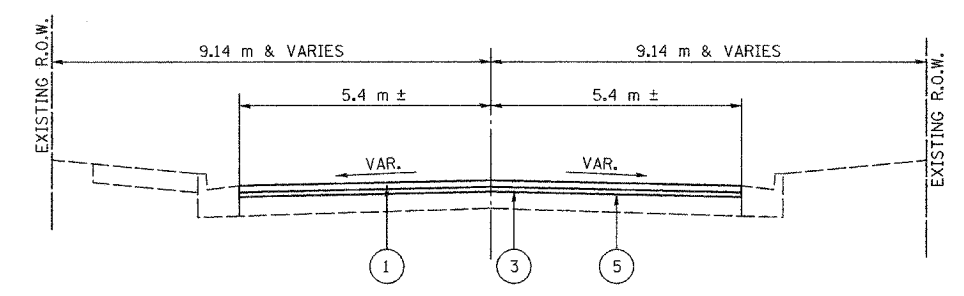
CORTLAND DR.



MAIN STREET WEST  
STA. 50+000 TO STA. 50+157.9



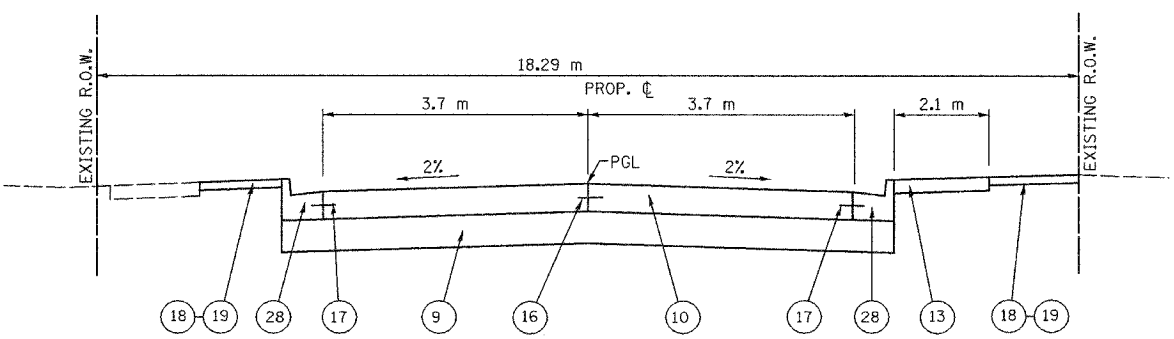
ELA ROAD  
STA. 40+028.38 TO STA. 40+095.964



MAIN STREET WEST  
STA. 50+157.9 TO STA. 50+279.3

LEGEND

- |   |   |
|---|---|
| ① POLYMERIZED BITUMINOUS SURFACE COURSE, SUPERPAVE, MIX. "F", N90 45 mm   | ⑱ TOPSOIL FURNISH AND PLACE 100 mm                                  |
| ② BITUMINOUS CONCRETE BINDER COURSE, SUPERPAVE, IL-19.0, N90 150 mm   | ⑲ SODDING, SALT TOLERANT  |
| ③ POLYMERIZED LEVELING BINDER (MACHINE METHOD), SUPERPAVE IL-4.75, N50 19 mm  | ⑳ SEEDING, CLASS 2A   |
| ④ BITUMINOUS SHOULDERS SUPERPAVE 200 mm   | ㉑ CONCRETE MEDIAN TYPE SB-15.60                                     |
| ⑤ BITUMINOUS MATERIALS (PRIME COAT)   | ㉒ SUB-BASE GRANULAR MATERIAL, TYPE B 100 mm                         |
| ⑥ EXISTING P.C.C. BASE 225 mm±  | ㉓ DRILL AND GROUT #25 TIE BARS @ 600 mm CTS, 600 mm LONG            |
| ⑦ PORTLAND CEMENT CONCRETE BASE COURSE WIDENING 230 mm  | ㉔ STABILIZED MEDIAN SURFACE 250 mm                                  |
| ⑧ AGGREGATE SUBGRADE, 300 mm  | ㉕ BITUMINOUS CONCRETE SURFACE COURSE, SUPERPAVE, MIX. "D", N50 50mm |
| ⑨ PORTLAND CEMENT CONCRETE PAVEMENT 250 mm (JOINTED)  | ㉖ BITUMINOUS CONCRETE BINDER COURSE, SUPERPAVE, IL-19.0, N50 200mm  |
| ⑩ COMBINATION CONCRETE CURB AND GUTTER, TYPE B-15.60  | ㉗ COMBINATION CONCRETE CURB AND GUTTER, TYPE B-15.30                |
| ⑪ COMBINATION CONCRETE CURB AND GUTTER, TYPE M-5.60   | ㉘ BITUMINOUS BASE COURSE WIDENING 200 mm                            |
| ⑫ PORTLAND CEMENT CONCRETE SIDEWALK, 125 mm   | ㉙ COMBINATION CONCRETE CURB AND GUTTER, TYPE B-15.30                |
| ⑬ CONCRETE MEDIAN SURFACE, 100 mm   |   |
| ⑭ SAWED LONGITUDINAL JOINT WITH 750 mm LONG DEFORMED EPOXY-COATED No. 20 TIE BARS @ 750mm CTS.                          |   |
| ⑮ LONGITUDINAL CONSTRUCTION JOINT WITH 600 mm LONG GROUTED IN PLACE DEFORMED EPOXY-COATED No. 25 TIE BARS @ 600 mm CTS. |   |
| ⑯ 600 mm LONG DEFORMED EPOXY-COATED No. 20 TIE BARS @ 600 mm CTS. GROUTED IN PLACE                                      |   |



WHITNEY AVE.  
STA. 30+089.425 TO STA. 30+150

REVISIONS	
NAME	DATE
Δ ITEM 22	11/24/04
REMOVED FROM LEGEND	

ILLINOIS DEPARTMENT OF TRANSPORTATION  
ILLINOIS ROUTE 22  
FROM US RTE 12 TO BUESCHING RD  
ELA RD., WHITNEY AVE.,  
MAIN ST. WEST  
PROPOSED TYPICAL SECTIONS

SCALE :  
DATE : 07/21/04

DESIGNED BY SOI  
CHECKED BY