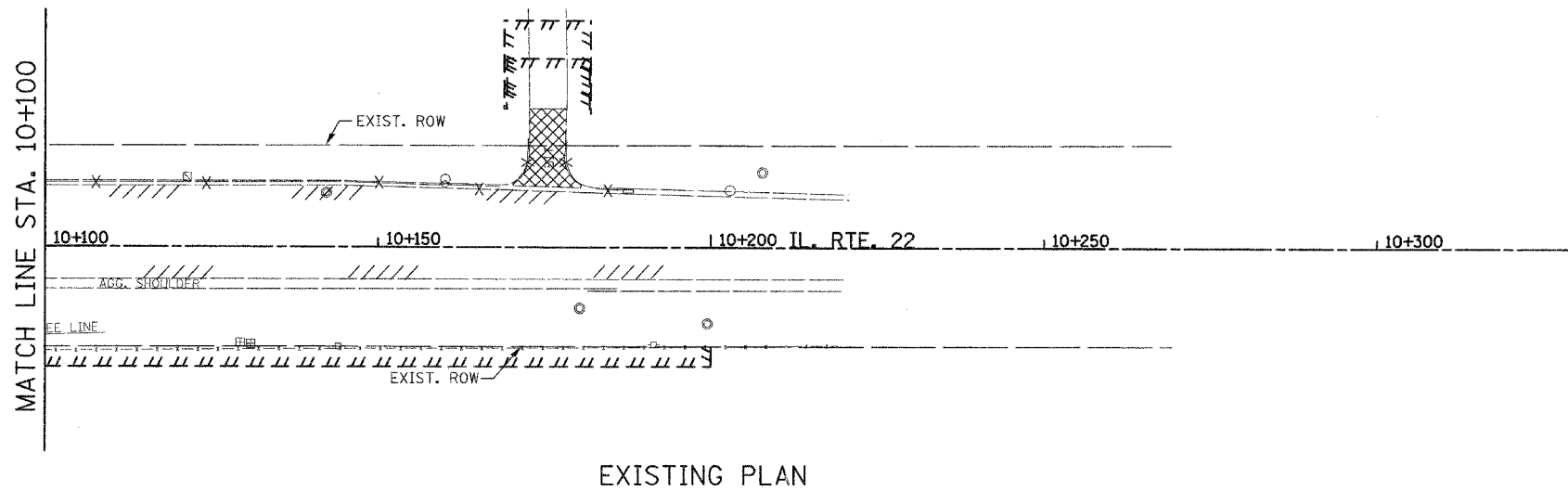
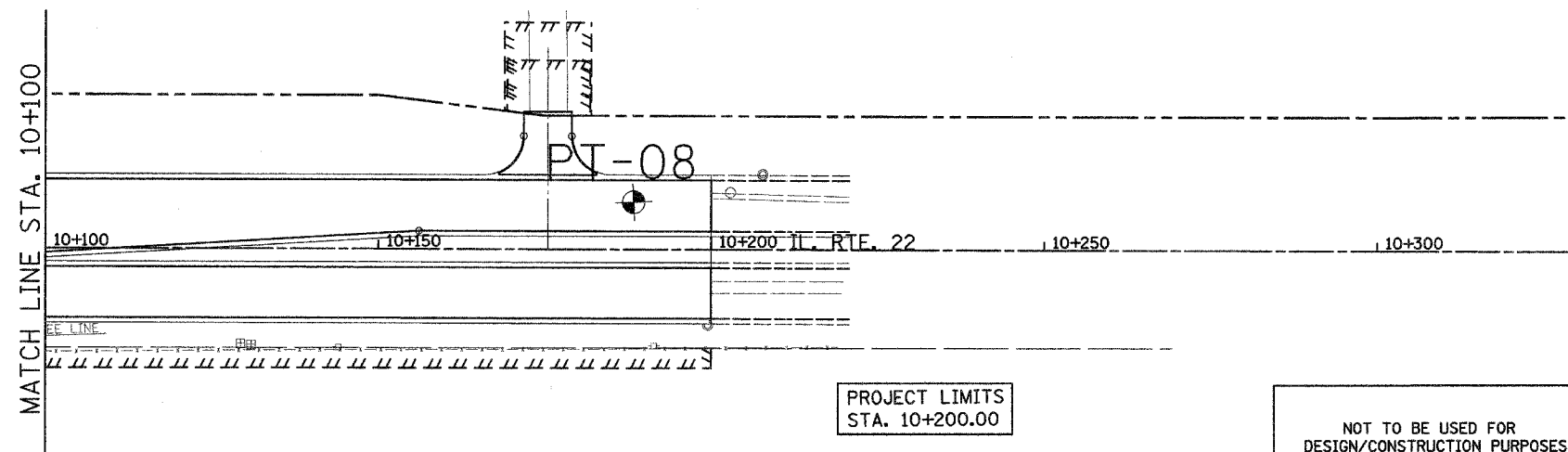


F.A. RTE.	SECTION	COUNTY	TOTAL SHEETS	SHEET NO.
337	19R-1	LAKE	800	246P
STA.		TO STA.		
FED. ROAD DIST. NO.		ILLINOIS FED. AID PROJECT		
CONTRACT NO. 60997				

BY	DATE
FINAL SURVEY PLOTTED	
NOTE BOOK TEMPLATE AREAS CHECKED	
NO.	

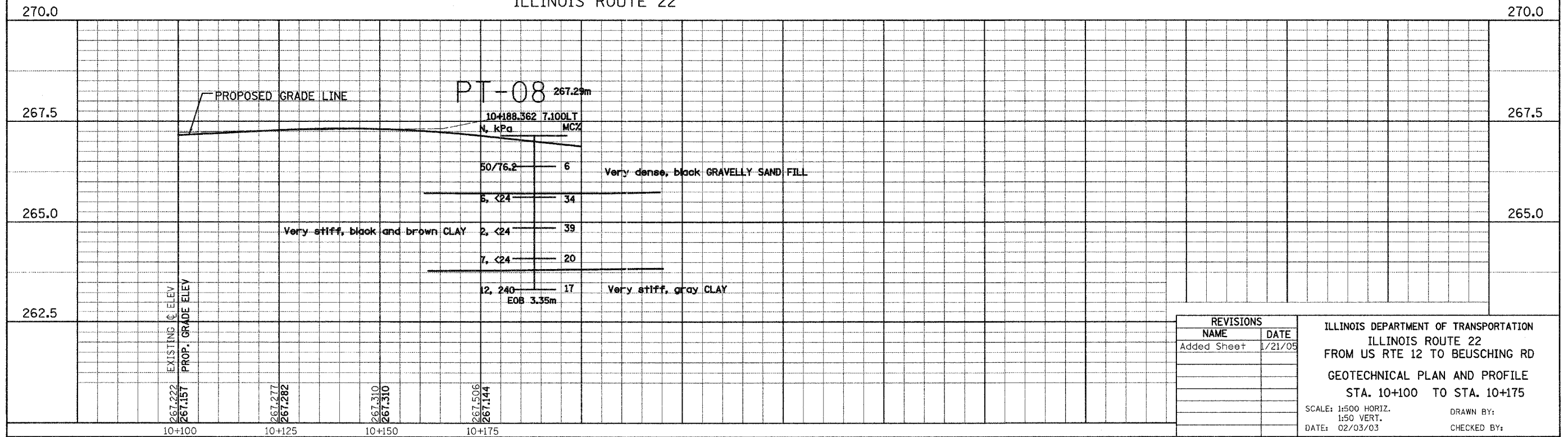


EXISTING PLAN



ILLINOIS ROUTE 22

BY	DATE
ORIGINAL SURVEY PLOTTED	
NOTE BOOK TEMPLATE AREAS CHECKED	
NO.	



REVISIONS	
NAME	DATE
Added Sheet	1/21/09

ILLINOIS DEPARTMENT OF TRANSPORTATION
 ILLINOIS ROUTE 22
 FROM US RTE 12 TO BEUSCHING RD
 GEOTECHNICAL PLAN AND PROFILE
 STA. 10+100 TO STA. 10+175

SCALE: 1:500 HORIZ.
 1:50 VERT.
 DATE: 02/03/03

DRAWN BY:
 CHECKED BY:

Small vertical text on the right edge of the page.