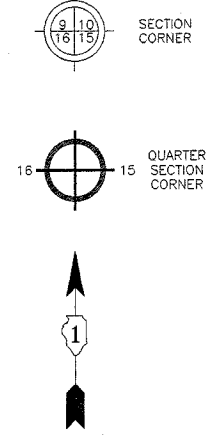


Section 19, Township 43 North, Range 10 East of the 3rd P.M., Lake County, Illinois

F.A. SECTION COUNTY TOTAL SHEETS SHEET NO.	337 19R-1 LAKE 160 314
CONTRACT NO.	60997

- LEGEND**
- SECTION LINE
  - QUARTER SECTION LINE
  - QUARTER, QUARTER SECTION LINE
  - PLATTED LOT LINE
  - PROPERTY (DEED) LINE
  - APL APPARENT PROPERTY LINE
  - CENTER LINE
  - EXISTING RIGHT-OF-WAY LINE
  - PROPOSED RIGHT-OF-WAY LINE
  - PROPOSED EASEMENT
  - 129.32' MEASURED DIMENSION
  - 129.32' (COMP) COMPUTED DIMENSION
  - (129.32') RECORD DATA
  - EXISTING BUILDING
  - IRON PIPE OR ROD FOUND
  - ⊕ P.K. NAIL FOUND OR SET
  - + CUT CROSS FOUND OR SET
  - 5/8" REBAR SET
  - T1 THESE STAKES REFERENCE FOUND OR SET MONUMENTATION. SET 5/8 INCH IRON ROD FLUSH WITH GROUND TO TIE FOUND IRON STAKE. IDENTIFIED BY COLORED PLASTIC CAP BEARING SURVEYORS REGISTRATION NUMBER.
  - T2
  - T3
  - BT1 THESE STAKES, IN CULTIVATED AREAS, REFERENCE FOUND OR SET MONUMENTATION. BURIED 5/8 INCH IRON ROD 20 INCHES BELOW GROUND TO THE FOUND IRON STAKE. IDENTIFIED BY COLORED PLASTIC CAP BEARING SURVEYORS REGISTRATION NUMBER.
  - BT2
  - BT3
  - STAKING OF PROPOSED RIGHT-OF-WAY. SET DIVISION OF HIGHWAYS SURVEY MARKER TO MONUMENT THE POSITION SHOWN. IDENTIFIED BY INSCRIPTION DATA AND SURVEYORS REGISTRATION NUMBER.
  - M STAKING OF PROPOSED RIGHT-OF-WAY IN CULTIVATED AREAS. BURIED 5/8 INCH METAL ROD 20 INCHES BELOW GROUND TO MARK FUTURE SURVEY MARKER POSITION. IDENTIFIED BY COLORED PLASTIC CAP BEARING SURVEYORS REGISTRATION NUMBER.
  - ⊙ PERMANENT SURVEY MARKER, I.D.O.T. STD. 2135 (TO BE SET BY OTHERS)
  - RIGHT-OF-WAY STAKING PROPOSED TO BE SET



STATE OF ILLINOIS S.S.  
 COUNTY OF DUPAGE

THIS IS TO CERTIFY THAT I, DOMINIC J. MARCHESE, AN ILLINOIS PROFESSIONAL LAND SURVEYOR, HAVE SURVEYED THE PLAT OF HIGHWAYS SHOWN HEREON BETWEEN SECTION 19, TOWNSHIP 43 NORTH, RANGE 10 EAST, AND SECTION 20, TOWNSHIP 43 NORTH, RANGE 10 EAST OF THE THIRD PRINCIPAL MERIDIAN, LAKE COUNTY; THAT THE SURVEY IS TRUE AND COMPLETE AS SHOWN TO THE BEST OF MY KNOWLEDGE AND BELIEF; THAT THE PLAT CORRECTLY REPRESENTS SAID SURVEY. THAT ALL MONUMENTS FOUND AND ESTABLISHED ARE OF PERMANENT QUALITY AND OCCUPY THE POSITIONS SHOWN THEREON AND THAT THE MONUMENTS ARE SUFFICIENT TO ENABLE THE SURVEY TO BE TRACED. MADE FOR THE DEPARTMENT OF TRANSPORTATION, STATE OF ILLINOIS.

DATED AT ROSELLE, ILLINOIS, THIS 15th DAY OF MAY, 2003 A.D.

*DOMINIC J. MARCHESE*  
 DOMINIC J. MARCHESE  
 2335 PROFESSIONAL LAND SURVEYOR STATE OF ILLINOIS  
 ILLINOIS REGISTERED PROFESSIONAL LAND SURVEYOR NO. 2335  
 MY LICENSE EXPIRES ON NOVEMBER 30, 2004

**COORDINATE VALUES**

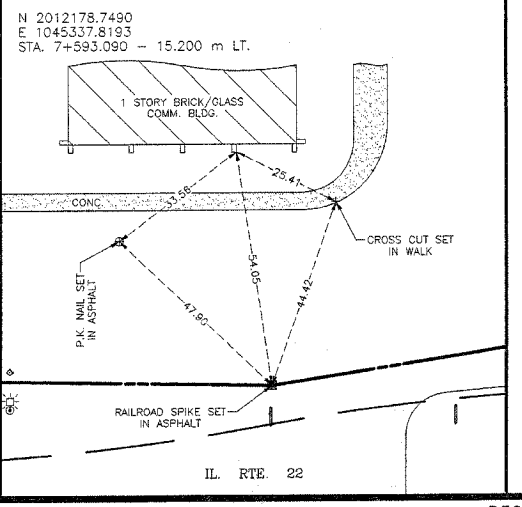
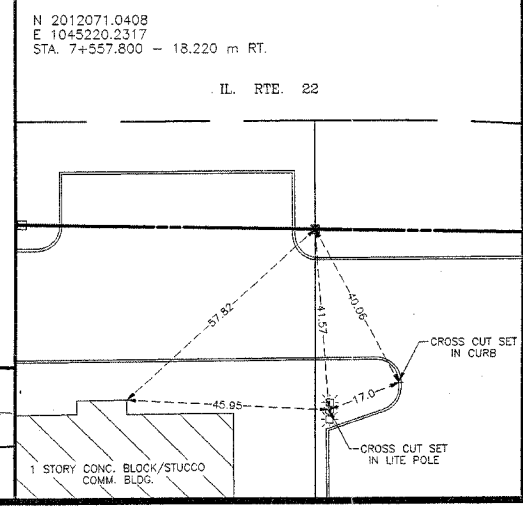
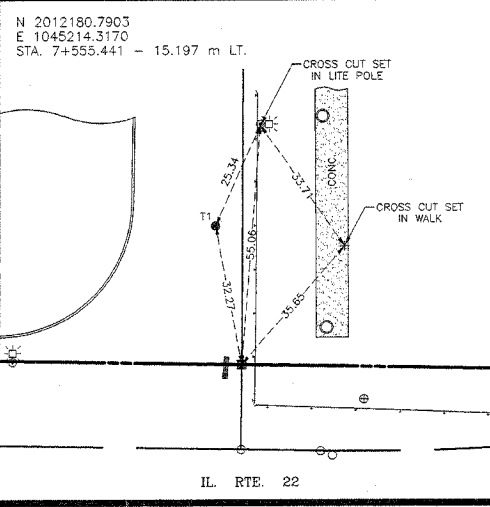
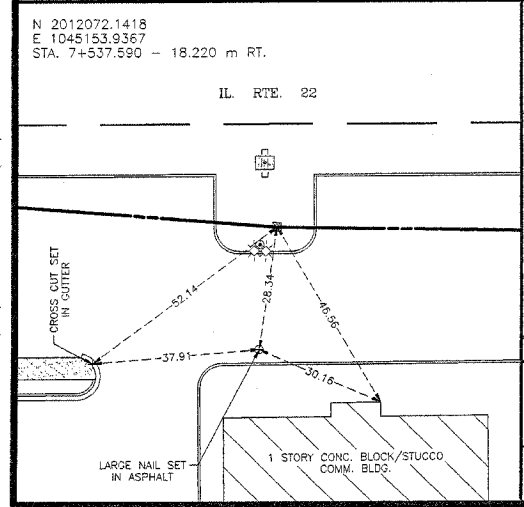
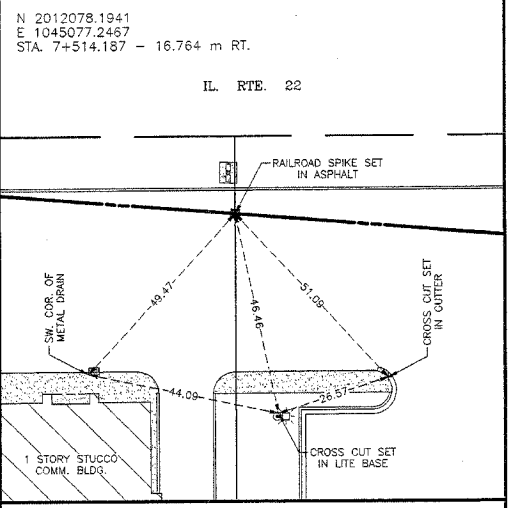
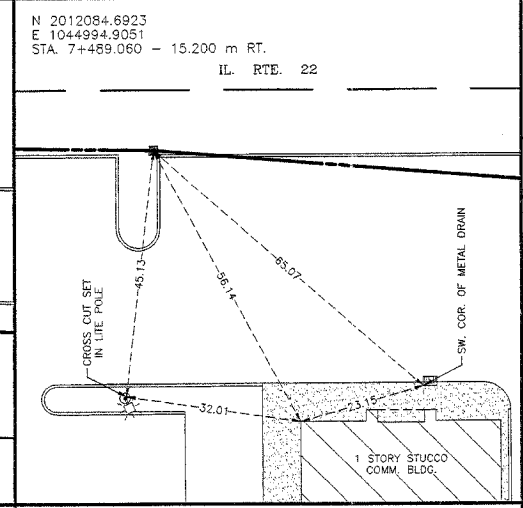
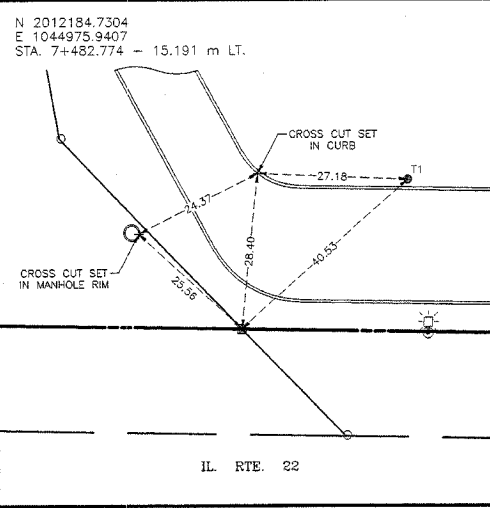
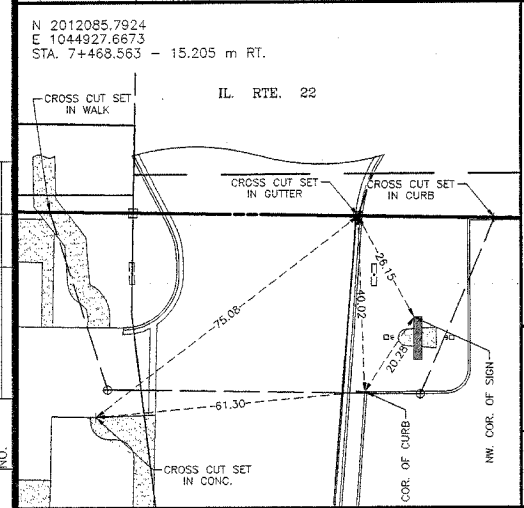
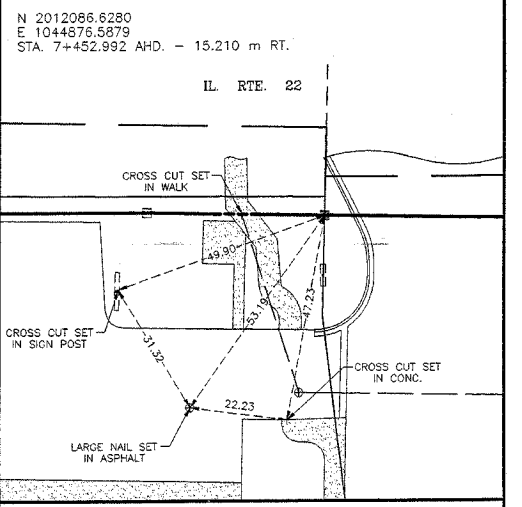
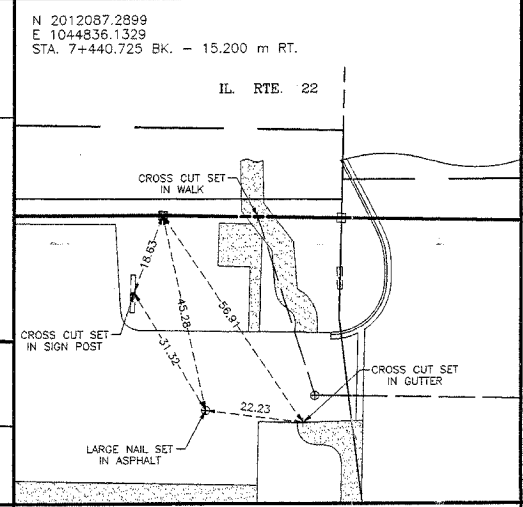
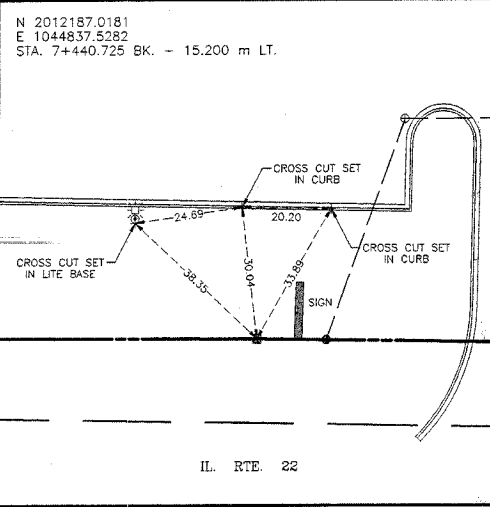
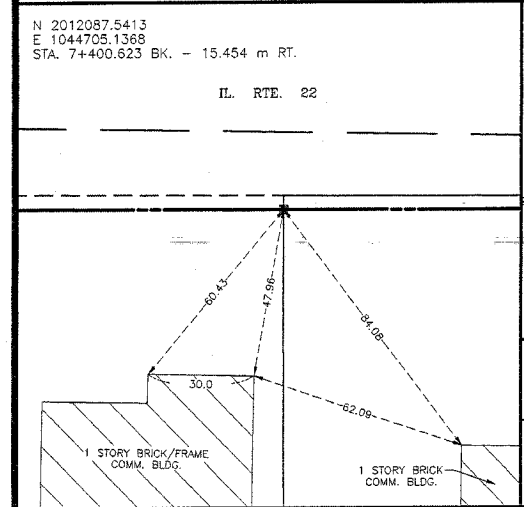
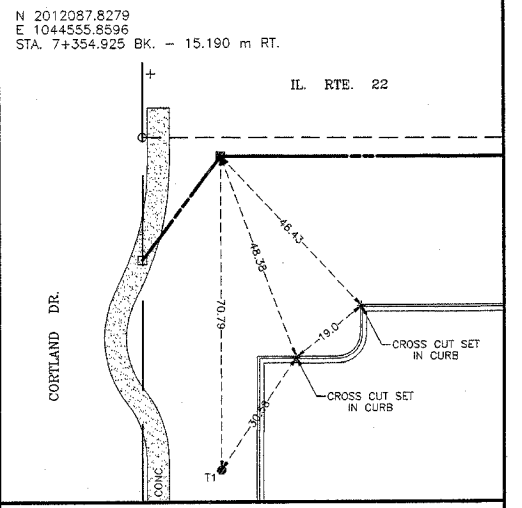
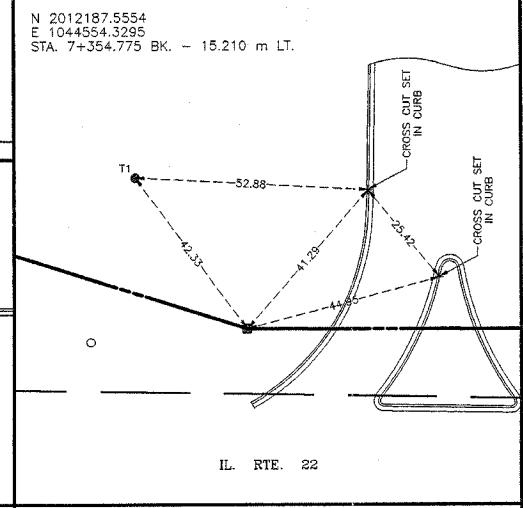
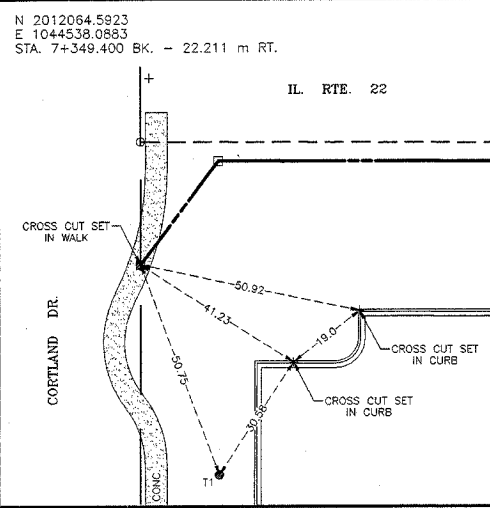
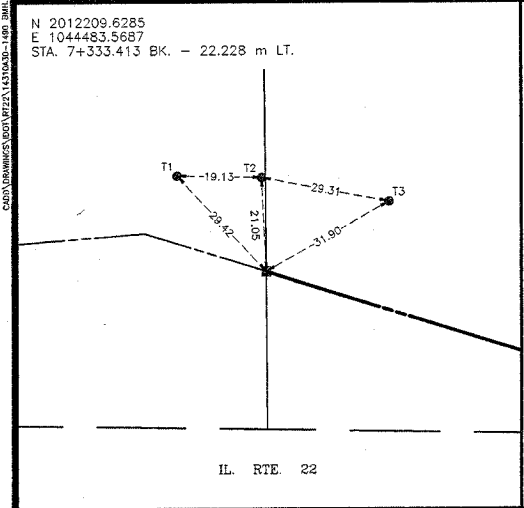
COORDINATES AND BEARINGS ARE REFERENCED TO THE ILLINOIS STATE PLANE COORDINATE GRID SYSTEM NAD 83 EAST ZONE AT FOUND GEODETIC CONTROL SURVEY MONUMENTS. ALL COORDINATES SHOWN HEREON ARE GROUND POSITIONS.

**WITNESS SKETCHES**  
 STATE OF ILLINOIS  
 DEPARTMENT OF TRANSPORTATION  
 F.A.P. 337 (IL 22)

RECEIVED  
 MAY 19 2003  
 PLATS & LEGALS

SECTION : LAKE COUNTY  
 PROJECT : JOB NO.: R-91-008-01  
 STATION : 7+333.413 BK. TO STATION : 7+593.090  
 SCALE : (NOT TO SCALE) SHEET : A30 of A37

BUREAU OF LAND ACQUISITION  
 201 WEST CENTER COURT  
 SCHAUMBURG, ILLINOIS 60196-1096



Marchese and Sons, Inc.  
 land - marine - construction surveys  
 10 MONACO DRIVE, ROSELLE, IL 60172  
 PHONE : (630) 894-5680 FAX : (630) 894-8869

DATE	11-07
BY	RJM
MADE	5-03
CHECKED	
REVISION	
P.L.W.	
PLAT	
NOTEBOOK	
NO.	