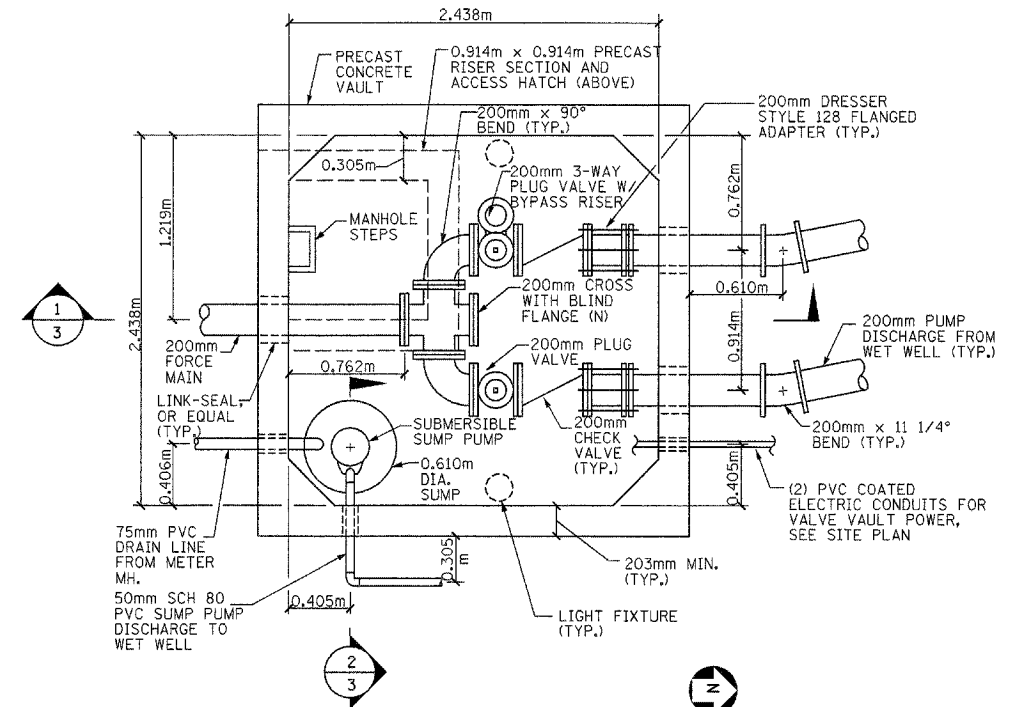


F.A. RTE.	SECTION	COUNTY	TOTAL SHEETS	SHEET NO.
337	19R-1	LAKE	800	390
STA.	TO STA.			
FED. ROAD DIST. NO.	ILLINOIS	FED. AID PROJECT		

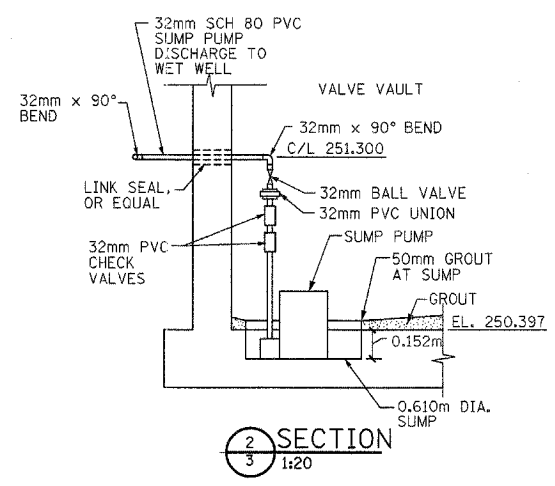
#60997

DATE	
BY	
SURVEYED	
PLOTTED	
TEMPLATE	
AREAS CHECKED	
NO.	

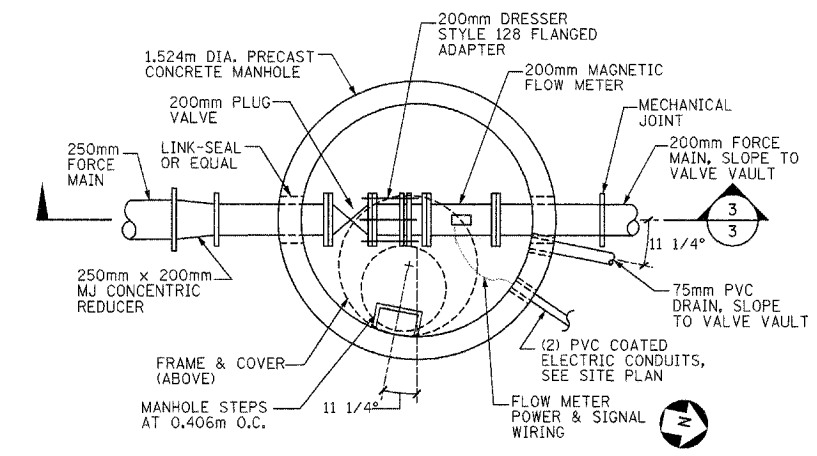
DATE	
BY	
SURVEYED	
PLOTTED	
TEMPLATE	
AREAS CHECKED	
NO.	



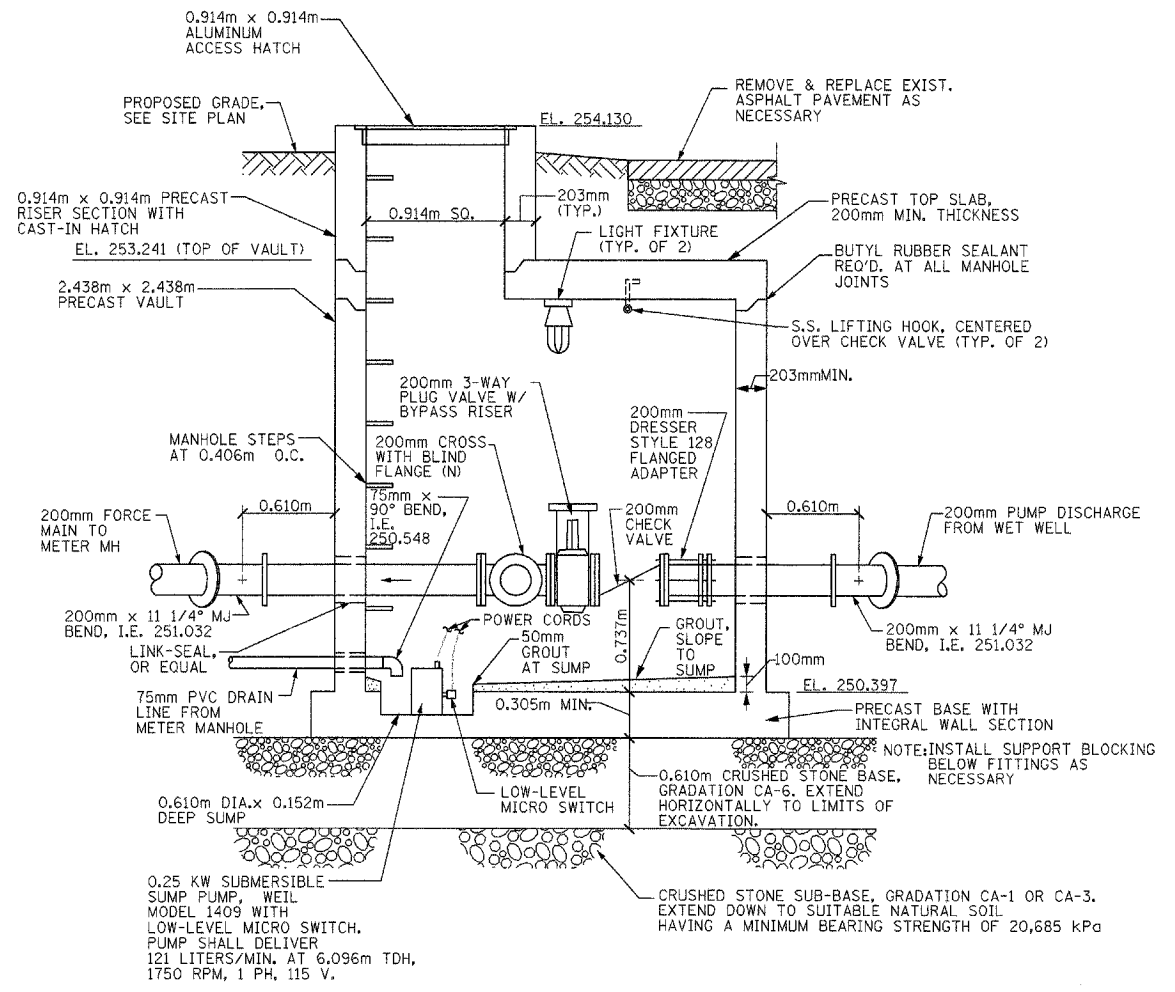
1 VALVE VAULT PLAN VIEW
1:25



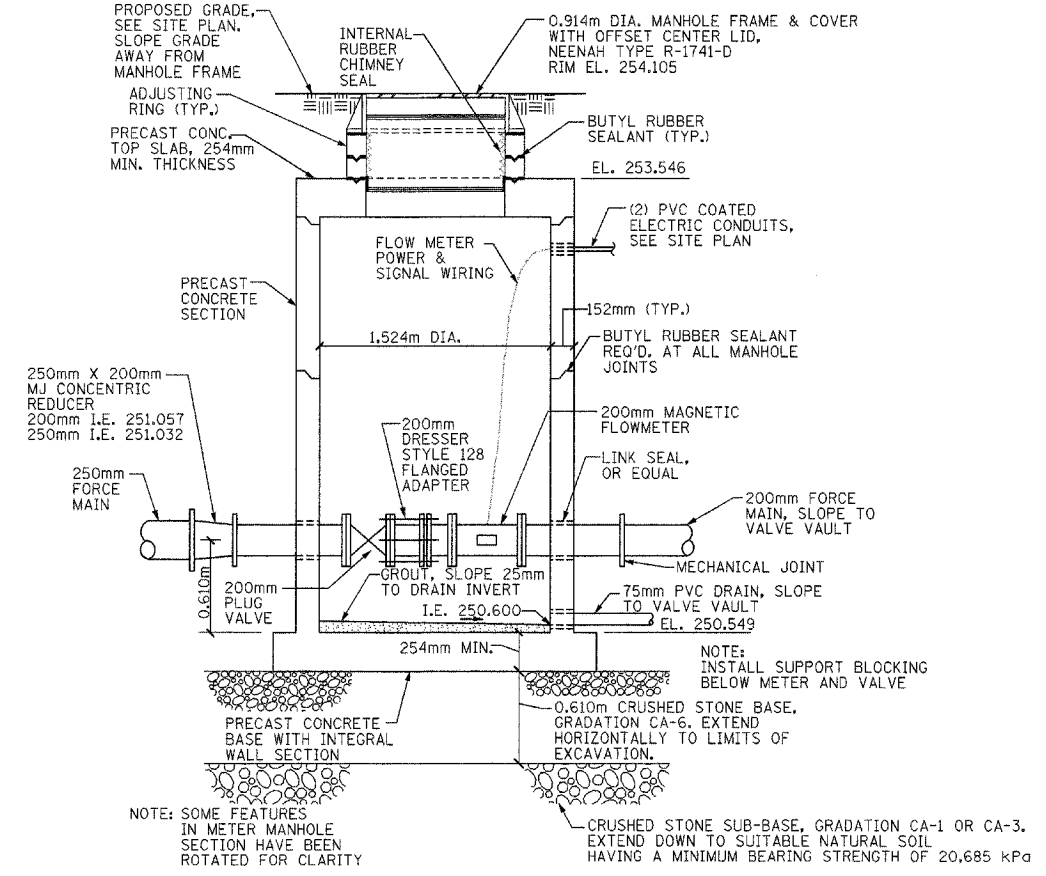
2 SECTION
1:20



METER MANHOLE PLAN VIEW
1:25



1 VALVE VAULT SECTION
1:25



3 METER MANHOLE SECTION
1:25

REVISIONS	
NAME	DATE
MFC	11/24/04

ILLINOIS DEPARTMENT OF TRANSPORTATION
ILLINOIS ROUTE 22
FROM US RTE 12 TO BEUSCHING RD
LIFT STATION RELOCATION 3/4
VALVE VAULT AND METER MANHOLE
PLANS & SECTIONS
DRAWN BY: SRK
CHECKED BY: JMB
DATE: 08/19/04