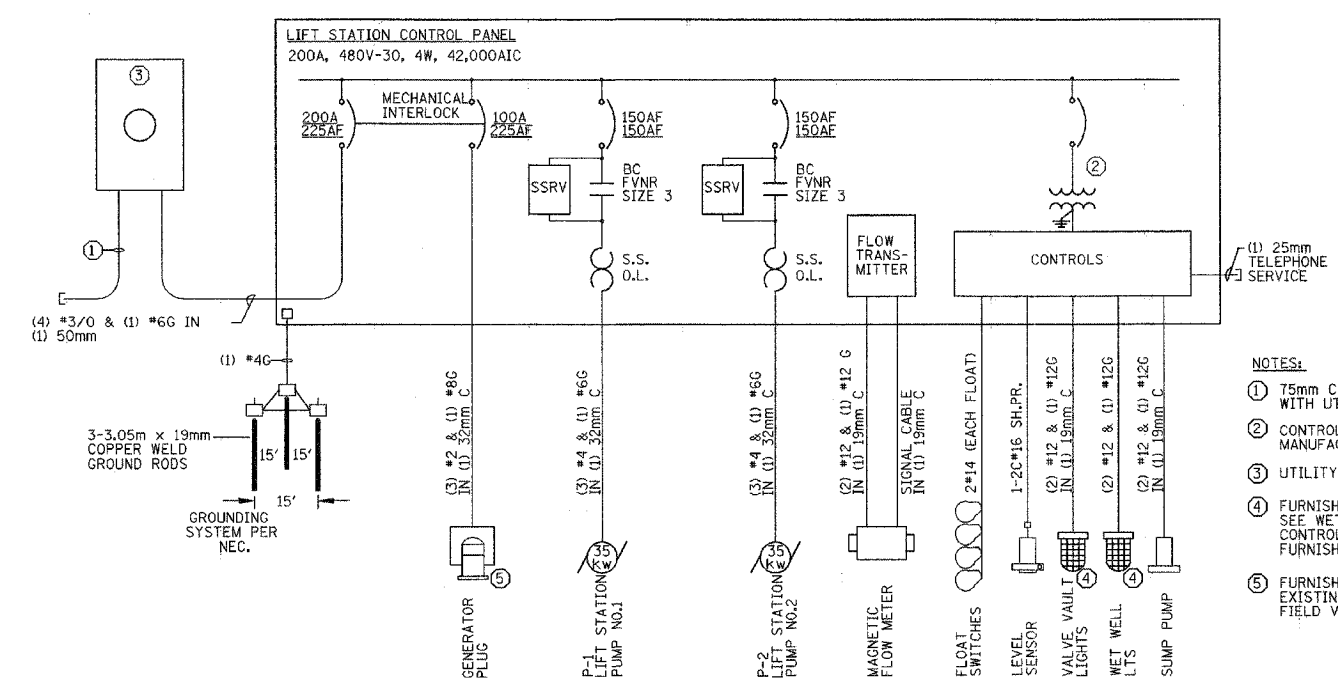


F.A. RTE.	SECTION	COUNTY	TOTAL SHEETS	SHEET NO.
337	19R-1	LAKE	800	391
STA.		TO STA.		
FED. ROAD DIST. NO.		ILLINOIS FED. AID PROJECT		

DATE	BY

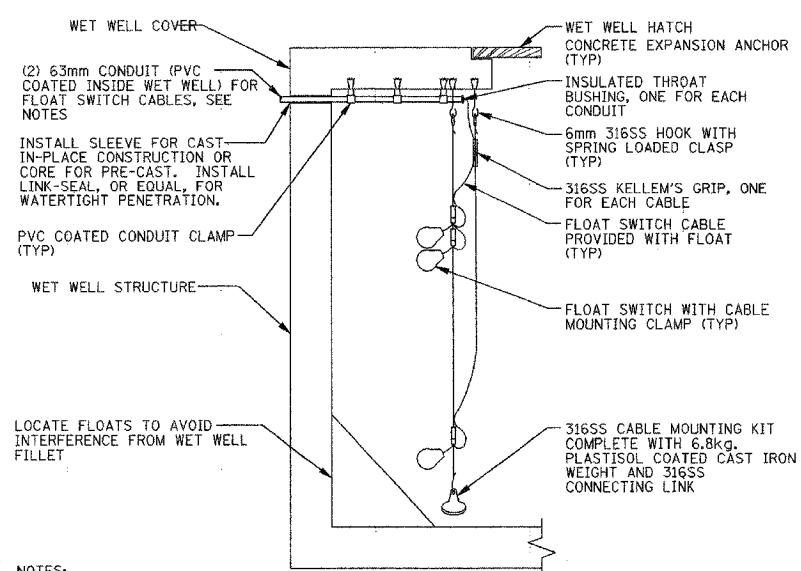
DATE	BY



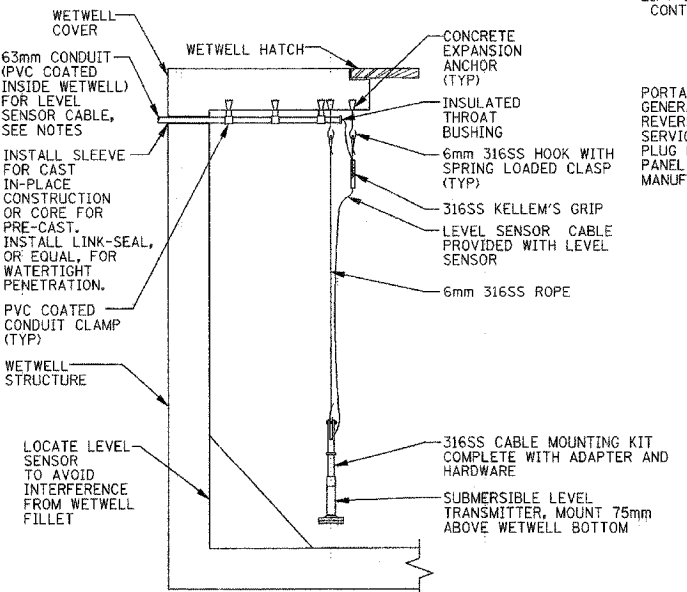
- NOTES:**
- 75mm CONDUIT FOR UTILITY SERVICE ENTRANCE CONDUCTORS IN ACCORDANCE WITH UTILITY REGULATIONS.
 - CONTROL POWER TRANSFORMER AND CIRCUIT BREAKER SIZED BY PANEL MANUFACTURER.
 - UTILITY APPROVED METERING SOCKET BY CONTRACTOR, METERING EQUIPMENT BY UTILITY.
 - FURNISH EXPLOSION PROOF INCANDESCENT FIXTURES, APPLETON #AC1575-G OR EQUAL. SEE WET WELL SECTION AND PLAN VIEWS FOR NUMBER AND LOCATION. FIXTURES TO BE CONTROLLED BY PILOT LIGHT TYPE SWITCH IN CONTROL (PILOT LIGHT ON WITH LOAD ON). FURNISH TWO SWITCHES (ONE FOR WET WELL, ONE FOR VALVE VAULT).
 - FURNISH 100 AMP GENERATOR PLUG (REVERSE SERVICE) TO MATCH OWNER'S EXISTING GENERATORS, CROUSE-HINDS #AR 1042-S22. FIELD VERIFY EXACT MODEL NUMBER.

- GENERAL NOTES:**
- CONTROL PANEL SHALL BE MOUNTED TO CONCRETE PAD AS SHOWN.
 - CONTRACTOR SHALL ARRANGE CONDUITS SO AS TO ENTER THE CONTROL PANEL AT THE PROPER LOCATION FOR FLOAT AND POWER CABLES.
 - WETWELL IS NEC CLASS 1, DIVISION 1 LOCATION. INSTALL SEAL-OFFS PER CONDUIT TERMINATION DETAIL.
 - RACEWAY TO BE PVC COATED RIGID STEEL CONDUIT, ROBROY, OR EQUAL.
 - UNDERGROUND RACEWAY TO BE BURIED A MINIMUM OF 0.762m BELOW FINISHED GRADE.
 - FURNISH RACEWAY AND CABLES FROM METERING MANHOLE AND VALVE VAULT TO CONTROL PANEL. SEE SITE PLAN FOR LOCATIONS.

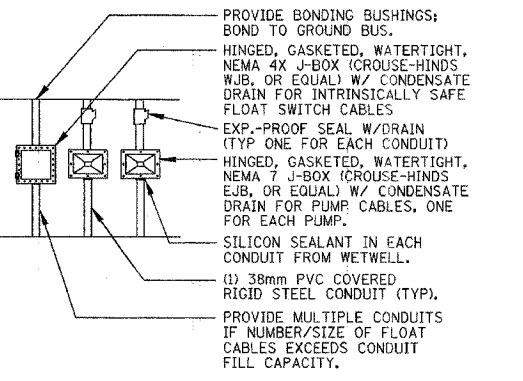
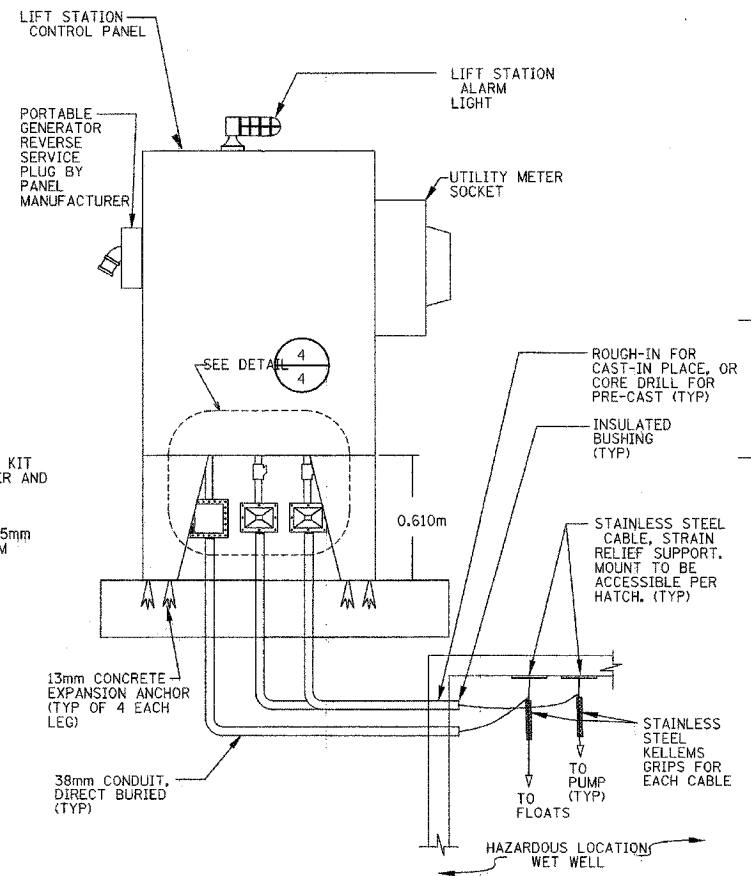
- ELECTRICAL DEMOLITION:**
- DISCONNECT ELECTRICAL EQUIPMENT WHICH IS TO BE REMOVED.
 - REMOVE SURFACE MOUNTED AND FREE STANDING ELECTRICAL EQUIPMENT.
 - REMOVE EXISTING WIRING TO SOURCE OF SUPPLY.
 - REMOVE SURFACE MOUNTED CONDUITS AND RACEWAYS.
 - DISCONNECT CONCEALED CONDUITS FROM EQUIPMENT.
 - CONCEALED CONDUITS SHALL BE REMOVED WITH STRUCTURE TO BE REMOVED.
 - IDENTIFY EQUIPMENT TO BE SALVAGED TO OWNER AND TRANSPORT TO LOCATION AS DESIGNATED BY OWNER.
 - DISPOSE OF ALL OTHER REMOVED EQUIPMENT.



- NOTES:**
- INSTALL FLOAT SWITCHES IN LOCATION WHERE, SUSPENSION HOOKS, ALL CABLES, AND CONDUIT(S) ARE ALL ACCESSIBLE FROM THE WET WELL HATCH WITHOUT ENTERING THE WET WELL.
 - INSTALL NO MORE THAN THREE FLOAT SWITCH CABLES IN EACH 63mm CONDUIT. PROVIDE MULTIPLE CONDUITS IF MORE THAN THREE FLOATS ARE SPECIFIED.
 - REFER TO PLANS AND SPECIFICATIONS FOR THE NUMBER OF FLOAT SWITCHES REQUIRED. ADJUST FLOAT SWITCH MOUNTING TO ACHIEVE ACTIVATION ELEVATIONS AS SPECIFIED, SHOWN ON PLANS, OR DIRECTED IN THE FIELD BY THE ENGINEER.
 - FLOAT SWITCH GROUND CONDUCTOR SHALL BE SOLIDLY GROUNDED.
 - PROVIDE SUFFICIENT SLACK CABLE, COILED AND SUSPENDED FROM HOOK, TO ALLOW ADJUSTMENT +/- 0.92m FROM SPECIFIED ELEVATION.



- NOTES:**
- INSTALL LEVEL SENSOR IN LOCATION WHERE, SUSPENSION HOOKS, ALL CABLES, AND CONDUIT(S) ARE ALL ACCESSIBLE FROM THE WETWELL HATCH WITHOUT ENTERING THE WETWELL.
 - CONNECT LEVEL SENSOR BREATHER TUBE (IF PROVIDED) PER MANUFACTURERS INSTRUCTIONS.
 - PROVIDE SUFFICIENT SLACK CABLE, COILED AND SUSPENDED FROM HOOK, TO ALLOW ADJUSTMENT +/- 0.92m FROM SPECIFIED ELEVATION.



1. FLOAT SWITCH INSTALLATION CABLE SUSPENSION DETAIL N.T.S.

2. SUBMERSIBLE LEVEL TRANSMITTER CABLE SUSPENSION DETAIL N.T.S.

3. CONTROL PANEL ELEVATION N.T.S.

4. CONDUIT TERMINATION DETAIL N.T.S.

REVISIONS	
NAME	DATE

ILLINOIS DEPARTMENT OF TRANSPORTATION
ILLINOIS ROUTE 22
FROM US RTE 12 TO BEUSCHING RD
LIFT STATION RELOCATION 4/4
ELECTRICAL DETAILS
DRAWN BY: SRK
CHECKED BY: JMB
DATE: 08/19/04