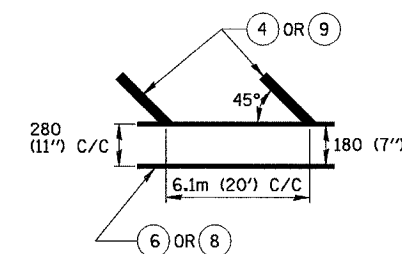
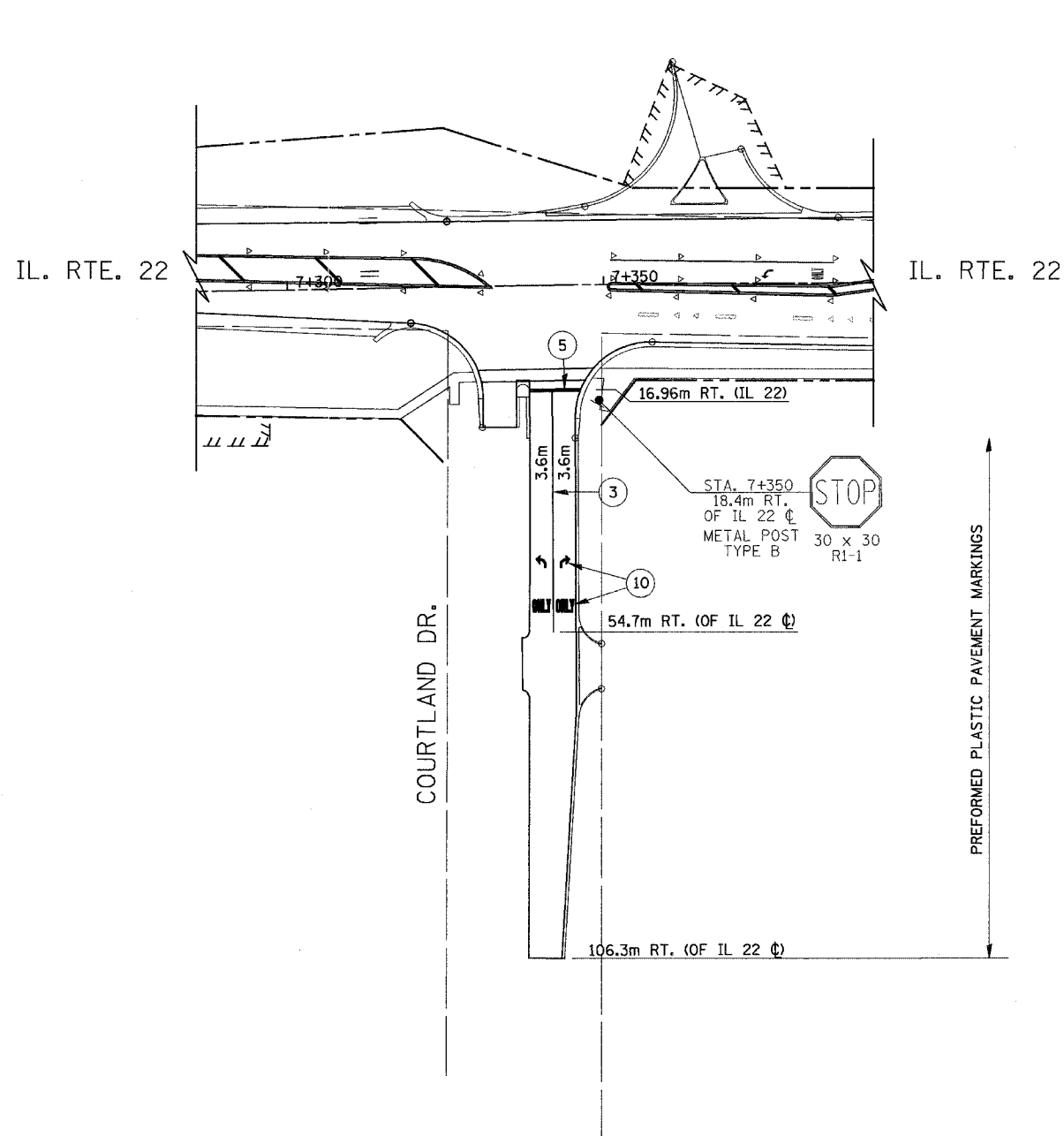


F.A. RTE.	SECTION	COUNTY	TOTAL SHEETS	SHEET NO.
337	19R-1	LAKE	800	399
STA. 7+449.825 TO STA. 7+600				
FED. ROAD DIST. NO.		ILLINOIS FED. AID PROJECT		

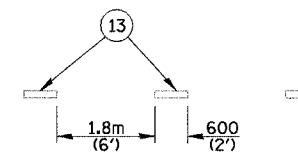
#60997

LEGEND FOR PAVEMENT MARKING

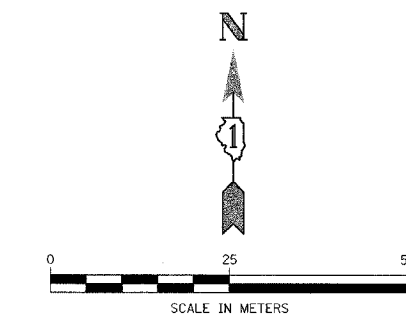
- | | | |
|---|---|--|
| ① PAVEMENT MARKING LINE 100mm (WHITE) | ⑦ PAVEMENT MARKING LINE 100mm (YELLOW SOLID) | ⑫ RAISED REFLECTIVE PAVEMENT MARKERS TWO WAY AMBER MARKER |
| ② PAVEMENT MARKING LINE 100mm (WHITE, 3m-DASH, 9m-SKIP) | ⑧ PAVEMENT MARKING LINE 100mm (YELLOW, 3m-DASH, 9m-SKIP) | ⑬ PAVEMENT MARKING LINE 150mm (WHITE, 0.6m-DASH, 1.8m-SKIP) |
| ③ PAVEMENT MARKING LINE 150mm (WHITE) | ⑨ PAVEMENT MARKING LINE 300mm (YELLOW) | ⑭ RAISED REFLECTIVE PAVEMENT MARKERS ONE WAY AMBER MARKER |
| ④ PAVEMENT MARKING LINE 300mm (WHITE) | ⑩ PAVEMENT MARKING LETTERS AND SYMBOLS (WHITE) | ⑮ PAVEMENT MARKING LINE 150mm (YELLOW, 0.6m-DASH, 1.8m-SKIP) |
| ⑤ PAVEMENT MARKING LINE 600mm (WHITE) | ⑪ RAISED REFLECTIVE PAVEMENT MARKERS ONE WAY CRYSTAL MARKER | ⑯ PAVEMENT MARKING LINE 200mm (WHITE) |
| ⑥ PAVEMENT MARKING LINE 100mm (YELLOW, 2-100mm @ 280mm C/C) | | |



300 (12") DIAGONAL LINE AND 100 (4") DOUBLE LINE



150 (6") DOTTED LINE



REVISIONS	
NAME	DATE
△ REVISED GEOMETRY	11/24/04
FROM STA. 6+922.366 TO	
STA. 7+440.820	

ILLINOIS DEPARTMENT OF TRANSPORTATION
 ILLINOIS ROUTE 22
 FROM US RTE 12 TO BUESCHING RD
 PAVEMENT MARKING AND SIGNING PLANS
 COURTLAND DR.

SCALE :
 DATE : 07/21/04

DESIGNED BY J.T.M.
 CHECKED BY J.M.C.