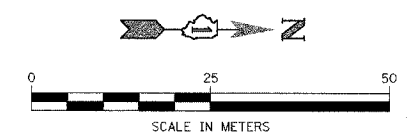
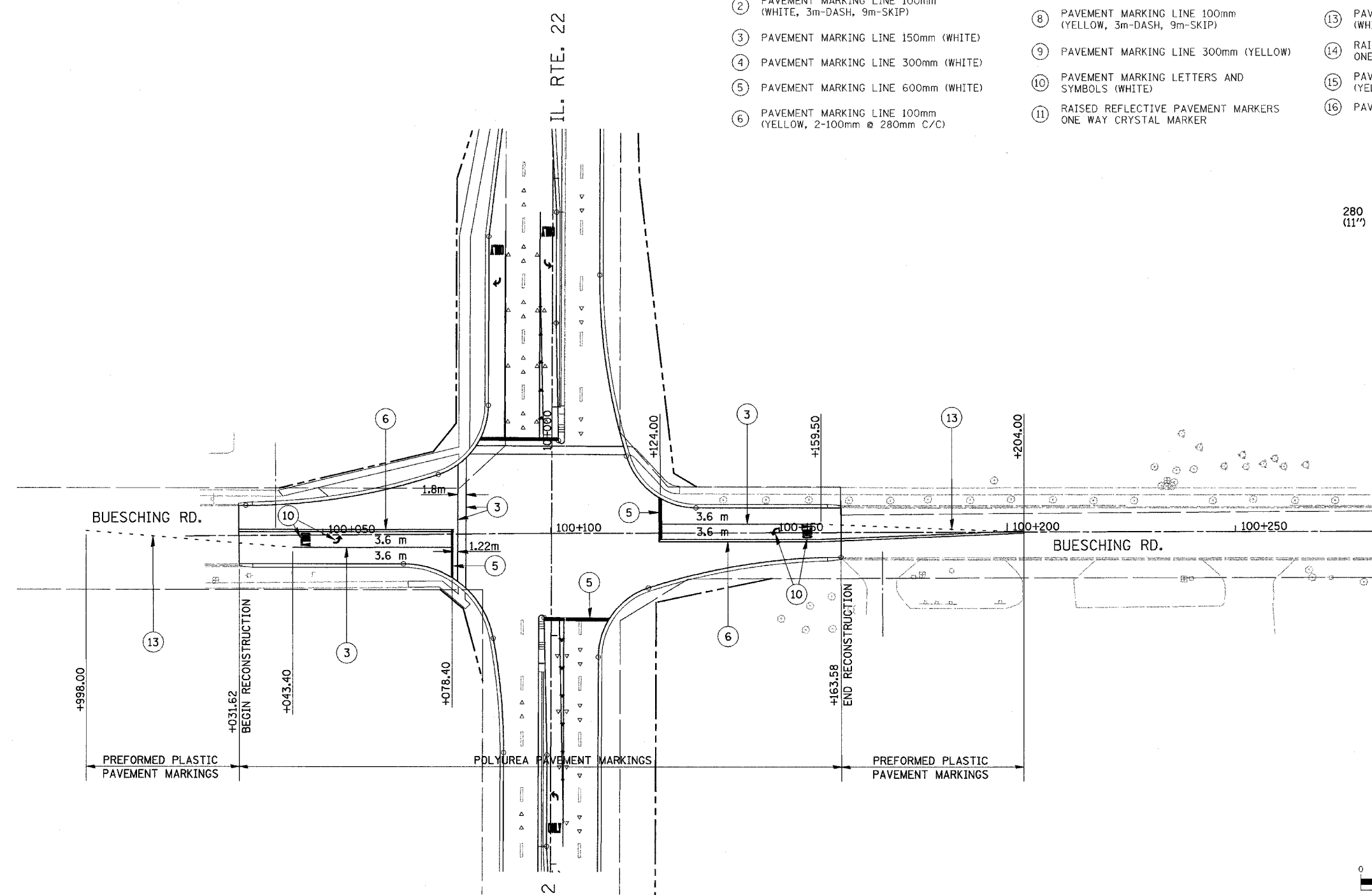
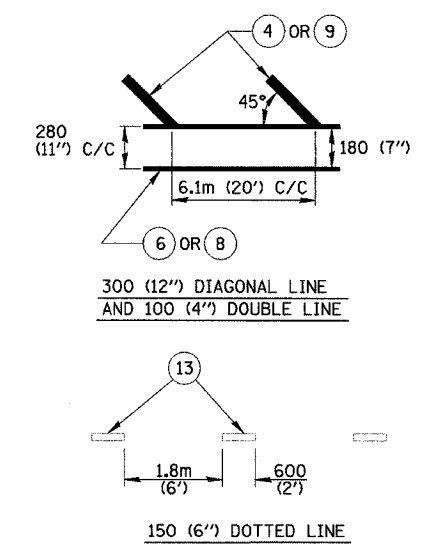


F.A. RTE.	SECTION	COUNTY	TOTAL SHEETS	SHEET NO.
337	19R-1	LAKE	800	406
STA. 99+998		TO STA. 100+204		
FED. ROAD DIST. NO.		ILLINOIS FED. AID PROJECT		

#60997

LEGEND FOR PAVEMENT MARKING

- ① PAVEMENT MARKING LINE 100mm (WHITE)
- ② PAVEMENT MARKING LINE 100mm (WHITE, 3m-DASH, 9m-SKIP)
- ③ PAVEMENT MARKING LINE 150mm (WHITE)
- ④ PAVEMENT MARKING LINE 300mm (WHITE)
- ⑤ PAVEMENT MARKING LINE 600mm (WHITE)
- ⑥ PAVEMENT MARKING LINE 100mm (YELLOW, 2-100mm @ 280mm C/C)
- ⑦ PAVEMENT MARKING LINE 100mm (YELLOW SOLID)
- ⑧ PAVEMENT MARKING LINE 100mm (YELLOW, 3m-DASH, 9m-SKIP)
- ⑨ PAVEMENT MARKING LINE 300mm (YELLOW)
- ⑩ PAVEMENT MARKING LETTERS AND SYMBOLS (WHITE)
- ⑪ RAISED REFLECTIVE PAVEMENT MARKERS ONE WAY CRYSTAL MARKER
- ⑫ RAISED REFLECTIVE PAVEMENT MARKERS TWO WAY AMBER MARKER
- ⑬ PAVEMENT MARKING LINE 150mm (WHITE, 0.6m-DASH, 1.8m-SKIP)
- ⑭ RAISED REFLECTIVE PAVEMENT MARKERS ONE WAY AMBER MARKER
- ⑮ PAVEMENT MARKING LINE 150mm (YELLOW, 0.6m-DASH, 1.8m-SKIP)
- ⑯ PAVEMENT MARKING LINE 200mm (WHITE)



REVISIONS		ILLINOIS DEPARTMENT OF TRANSPORTATION ILLINOIS ROUTE 22 FROM US RTE 12 TO BUESCHING RD PAVEMENT MARKING AND SIGNING PLANS BUESCHING ROAD	
NAME	DATE		
REVISOR	11/24/04	SCALE : DATE : 07/21/04	
TITLE BLOCK			DESIGNED BY J.T.M. CHECKED BY J.M.C.
TO INCLUDE SIGNING PLANS			