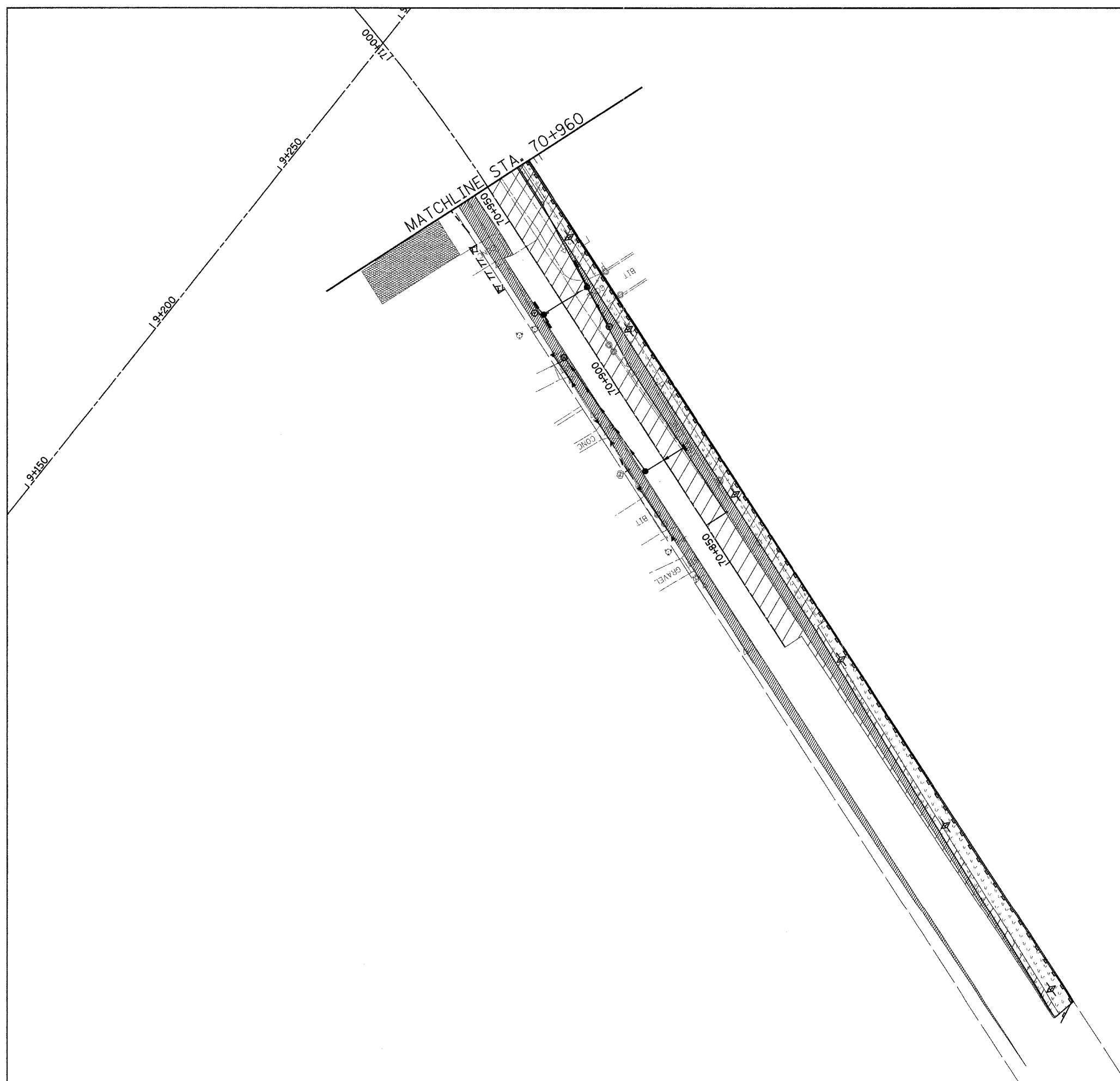
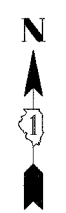


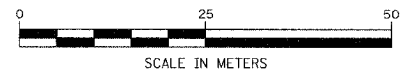
F.A. RTE.	SECTION	COUNTY	TOTAL SHEETS	SHEET NO.
337	19R-1	LAKE	800	464
STA. 70+800		TO STA. 70+960		
FED. ROAD DIST. NO.		ILLINOIS	FED. AID PROJECT	

60997



LEGEND:

- DRAINAGE STRUCTURE INLET FILTER
- INLET AND PIPE PROTECTION
- PERIMETER EROSION BARRIER
- TEMPORARY EROSION CONTROL SEEDING
- TEMPORARY DITCH CHECK
- DIVERSION CHANNEL
- SLOPE DRAIN



REVISIONS	
NAME	DATE

ILLINOIS DEPARTMENT OF TRANSPORTATION
 ILLINOIS ROUTE 22
 FROM US RTE 12 TO BUESCHING RD
 OLD RAND ROAD
 TEMPORARY EROSION CONTROL PLAN
 STA. 70+800 TO STA. 70+960
 STAGE 3A & 3B, 4A & 4B
 DRAWN BY RLS
 CHECKED BY MBF
 DATE 7/21/04