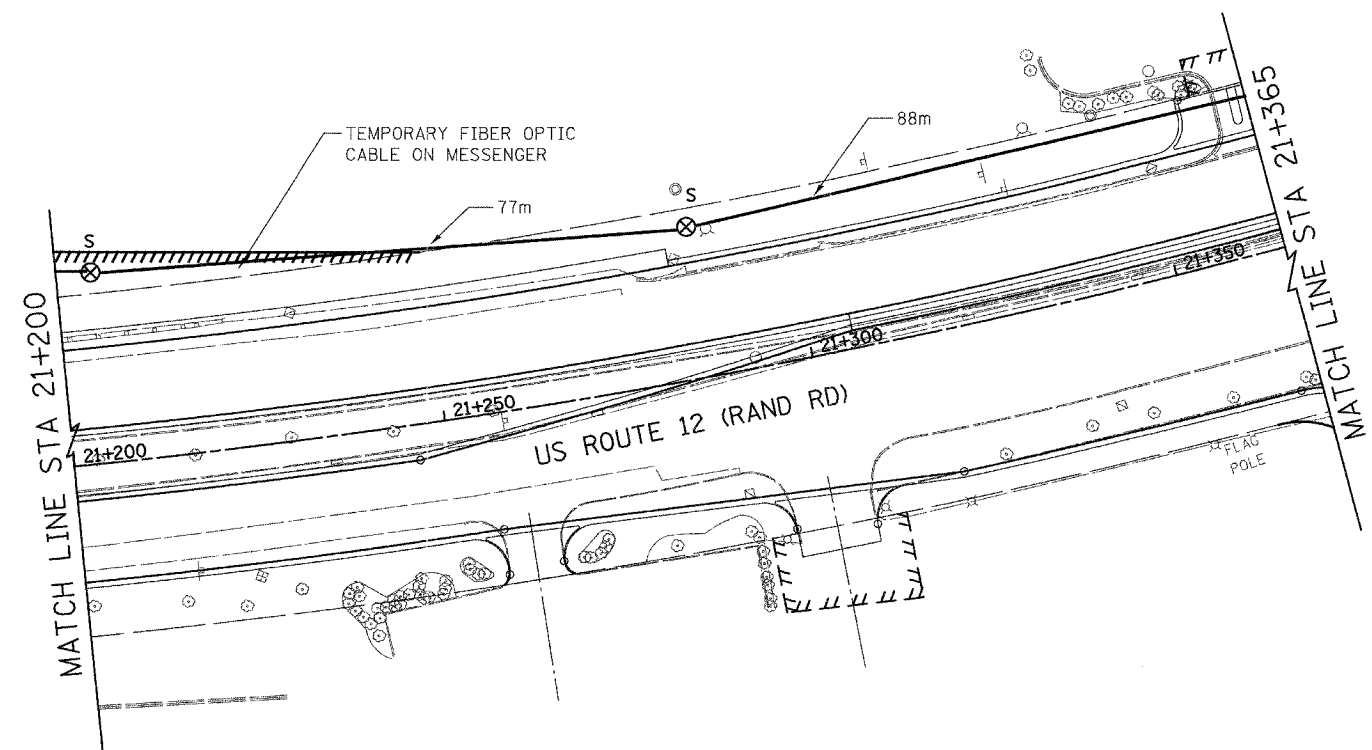
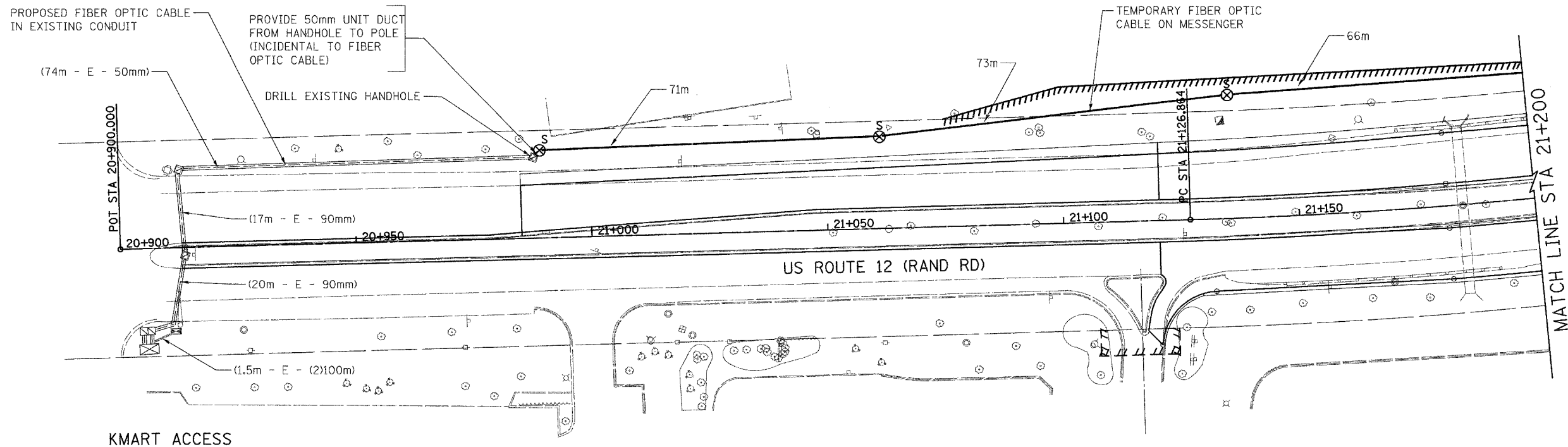


F.A. RTE.	SECTION	COUNTY	TOTAL SHEETS	SHEET NO.
337	19R-1	LAKE	800	532
STA.		TO STA.		
FED. ROAD DIST. NO.		ILLINOIS	FED. AID PROJECT	
CONTRACT NO. 60997				



REVISIONS	
NAME	DATE

ILLINOIS DEPARTMENT OF TRANSPORTATION

TEMPORARY INTERCONNECT PLAN
 STA. 0+900 TO STA. 1+365
 SHEET 3 OF 4

SCALE : 1:500
 DATE : 07/21/04

DRAWN BY SOI
 DESIGNED BY RAM
 CHECKED BY DDL