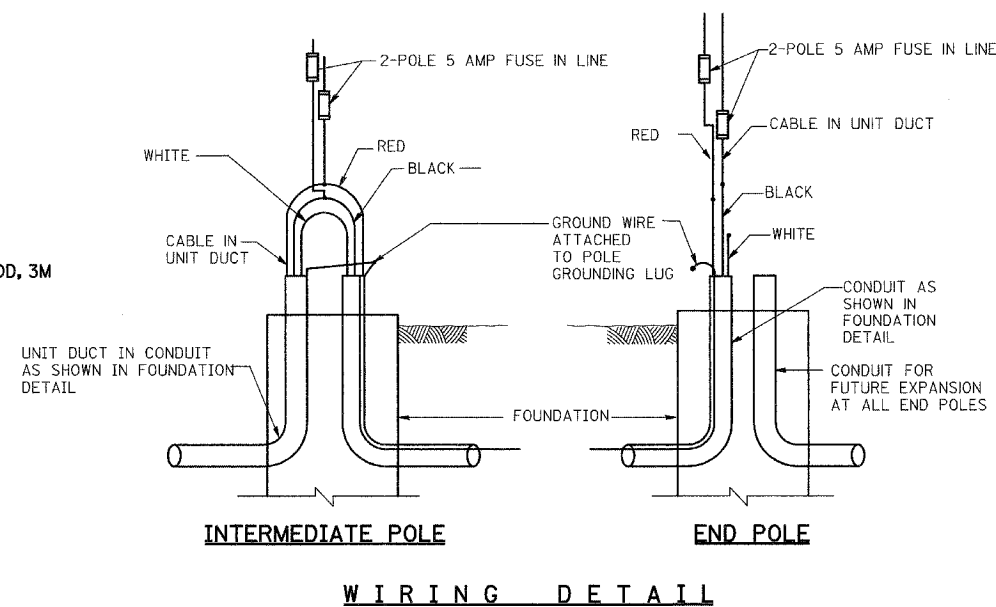
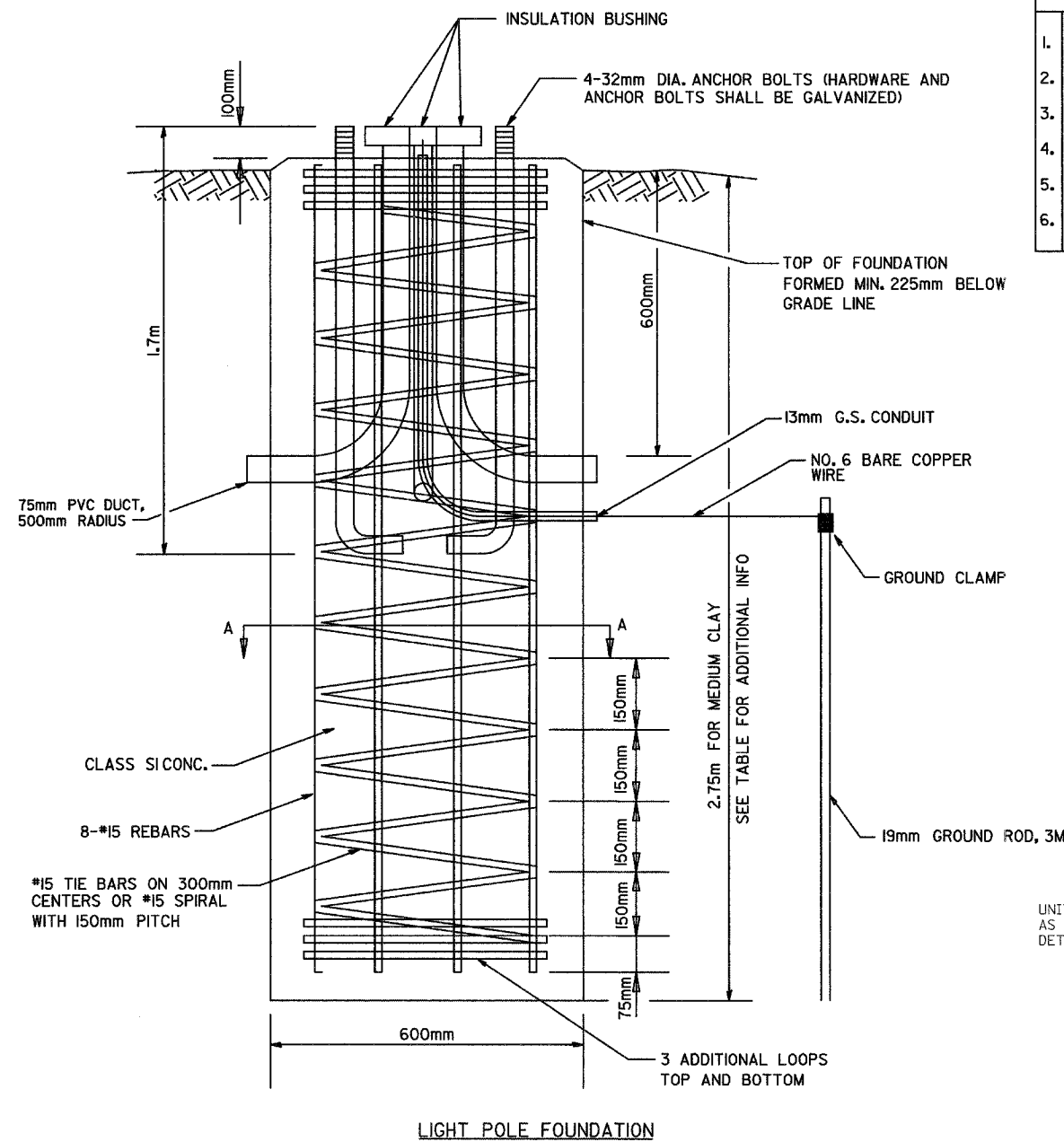


DESIGN TABLE

DESCRIPTION	TYPE OF SOIL		DESIGN DEPTH OF FOUNDATION	REINFORCEMENT IN FOUNDATION HEIGHT OF SPIRAL CAGE
	STANDARDS			
1. SOFT CLAY	Qu = 25-50 KPA		3.40m	#15 3.25m
2. MEDIUM CLAY	Qu = 50-95 KPA		2.75m	#15 2.60m
3. STIFF CLAY	Qu = 95-190 KPA		2.40m	#15 2.15m
4. LOOSE SAND	N = 4-10		2.90m	#15 2.75m
5. MEDIUM SAND	N = 10-30		2.75m	#15 2.60m
6. DENSE SAND	N = 30-50		2.50m	#15 2.35m

N = NUMBER OF BLOWS PER 0.3m, STANDARD PENETRATION TEST
 Qu = UNCONFINED COMPRESSIVE STRENGTH



REVISIONS	
NAME	DATE

ILLINOIS DEPARTMENT OF TRANSPORTATION
 ILLINOIS ROUTE 22
 FROM US RTE 12 TO BUESCHING RD
 IL RTE 22 - ELA RD/WHITNEY AVE
 ELECTRICAL DETAILS

SCALE :
 DATE : 07/21/04

DRAWN BY VAP
 DESIGNED BY RAM
 CHECKED BY DDL