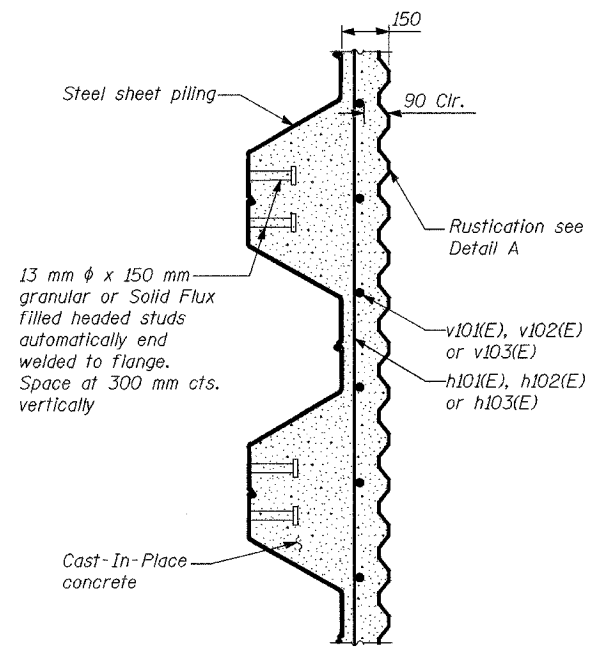


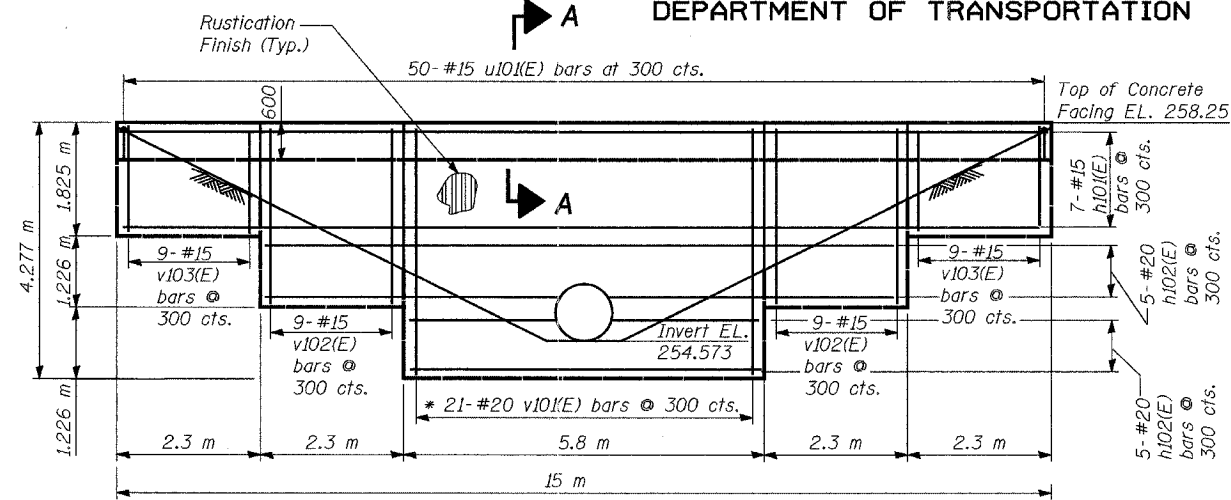
STATE OF ILLINOIS
DEPARTMENT OF TRANSPORTATION

ROUTE NO.	SECTION	COUNTY	TOTAL SHEETS	SHEET NO.
FAP 337 (IL 22)	19R-1	LAKE	800	553
FED. ROAD DIST. NO.	ILLINOIS	FED. AID PROJECT-		

60997

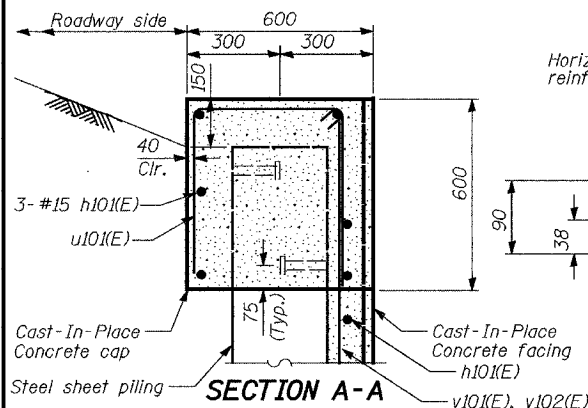


SECTION B-B

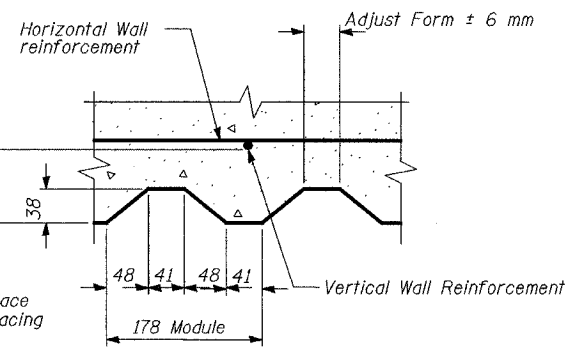


CONCRETE WALL ELEVATION
(Looking east)

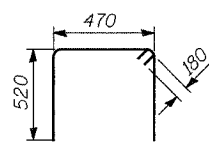
* Cut bars as required to clear the pipe



SECTION A-A



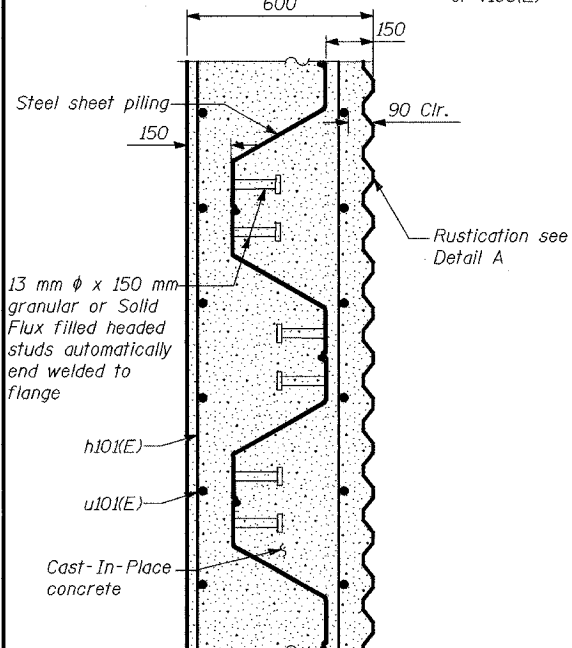
**DETAIL A
RUSTICATION
FINISH DETAIL**



BAR u101(E)

BILL OF MATERIAL

Bar	No.	Size	Length (m)	Shape
v101(E)	21	#20	4.2	—
v102(E)	18	#15	2.98	—
v103(E)	18	#15	1.75	—
h101(E)	10	#15	14.93	—
h102(E)	5	#20	10.33	—
h103(E)	5	#15	5.73	—
u101(E)	51	#15	1.88	U
Concrete Structures		m ³	13.0	
Reinforcement Bars Epoxy Coated		kg	1,010	
Rustication Finish		m ²	16.4	
Permanent Steel Sheet Piling		m ²	107.6	
Stud Shear Connectors		Each	379	



**PARTIAL PLAN
CONCRETE CAP**

Notes:

- All dimensions are in millimeter (mm), except as noted.
- Reinforcement bars designated (E) shall be epoxy coated.

HEAD WALL DETAILS			
Date	Designed	NPP	F.A.P. RTE. 337 (IL. RTE. 22) SECTION 19R-1 WEST OF U.S. 12 TO EAST OF BEUSCHING ROAD LAKE COUNTY STATION 21+135.000 TO 21+250.000 (RAND ROAD)
Revisions	Drawn	NPP	
	Checked	MSH	
	Approved	MSH	
Prepared By:			
			Sheet No. 2 of 2