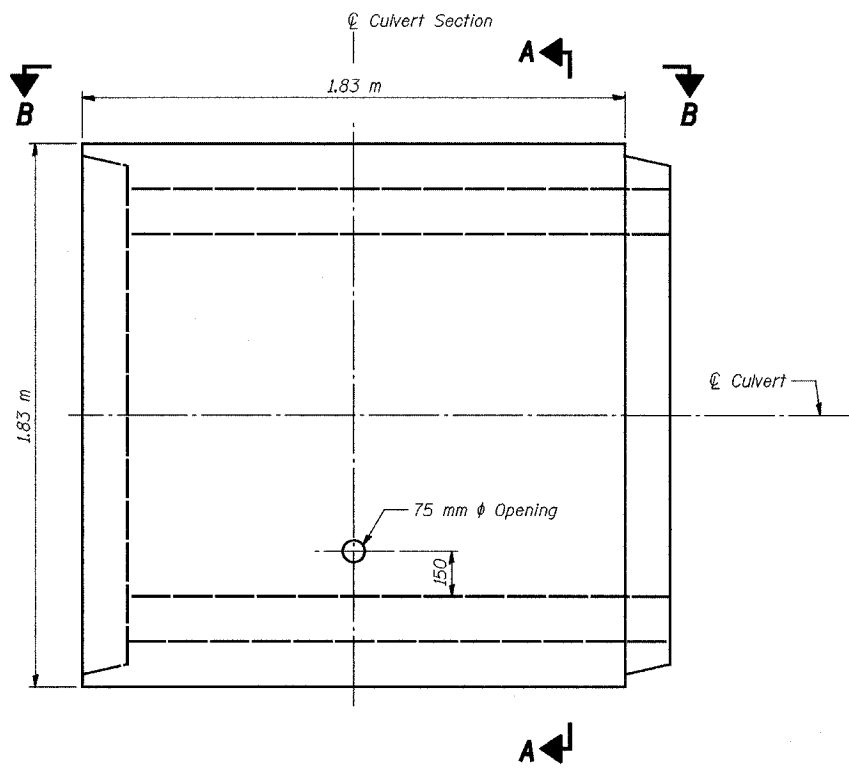
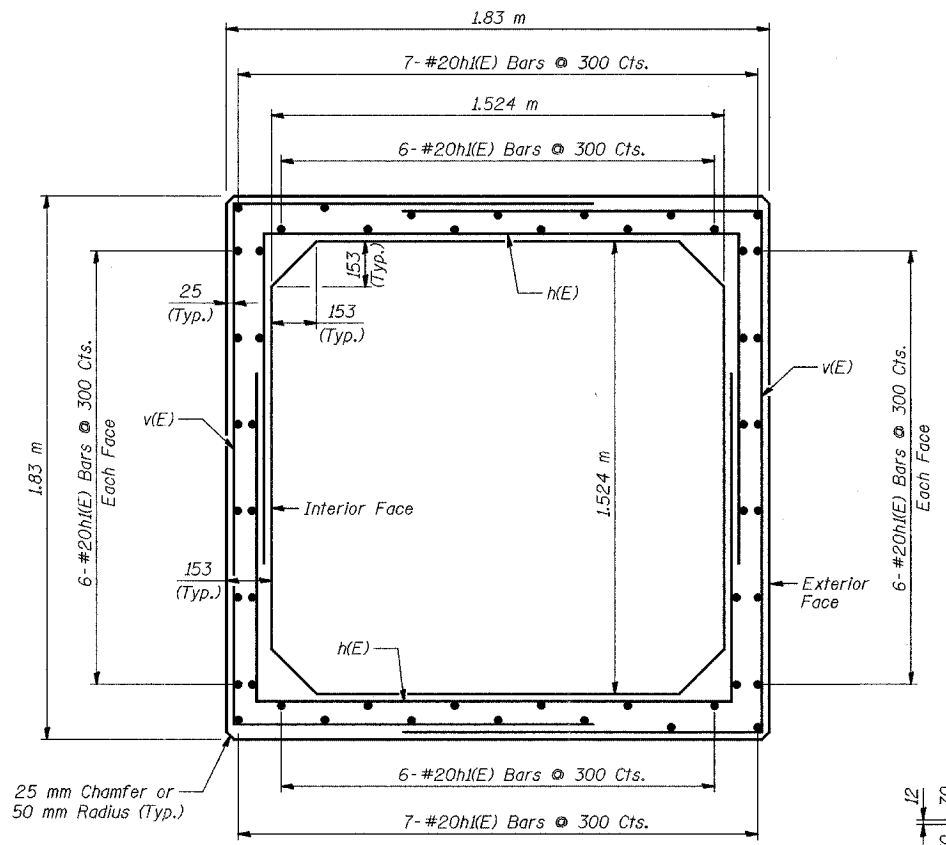


F.A. RTE.	SECTION	COUNTY	TOTAL SHEETS	SHEET NO.
337	19R-1	LAKE	800	555
STA.		TO STA.		
FED. ROAD DIST. NO.		ILLINOIS FED. AID PROJECT		

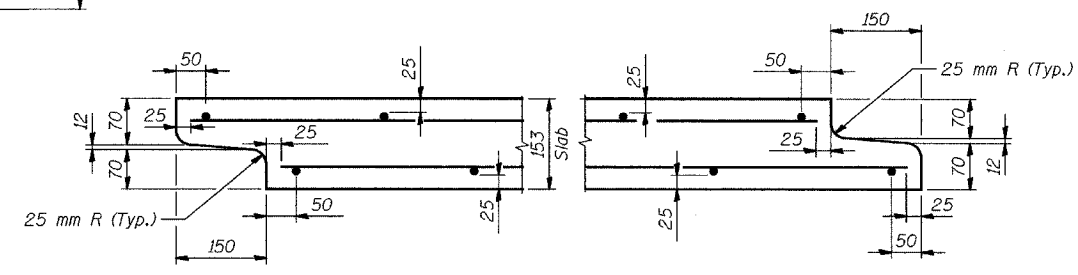
60997



ELEVATION

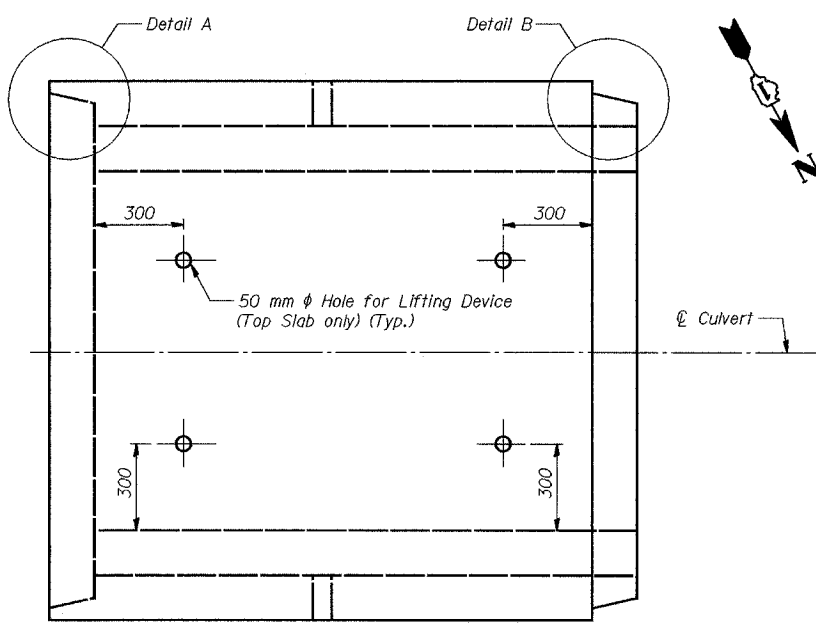


SECTION A-A



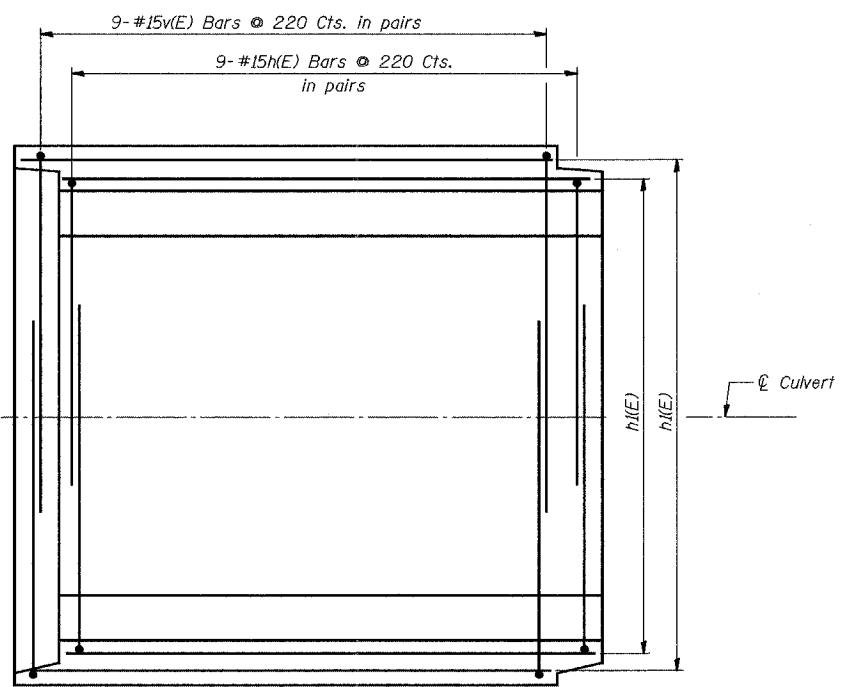
DETAIL A

DETAIL B



PLAN

Place Lifting Holes to avoid Reinforcement



SECTION B-B

NOTES:

1. Work this Sheet with Sheets 1 and 3.
2. Precast Concrete Box Culvert sections shall conform to the requirements of Article 540.06 of the Standard Specifications.
3. The minimum concrete strength shall be 35 MPa.
4. Lifting holes shall be filled with concrete plugs and mastic after box sections are in place.
5. Reinforcement Bars designated (E) shall be epoxy coated.
6. All dimensions are in millimeters (mm) except as noted.
7. Min. Lap for bars #15 is 640 mm and for #20 bars is 790 mm.
8. See Sheet 3 for Bill of Materials and Bar Details.

REVISIONS	
NAME	DATE

ILLINOIS DEPARTMENT OF TRANSPORTATION
 ILLINOIS ROUTE 22
 FROM US RTE 12 TO BUESCHING RD
 CULVERT EXTENSION AT STA. 32+492.29
 TYPICAL CULVERT SECTION DETAILS
 SCALE : NTS
 DATE : 05/21/04
 DESIGNED BY EV
 CHECKED BY NPP