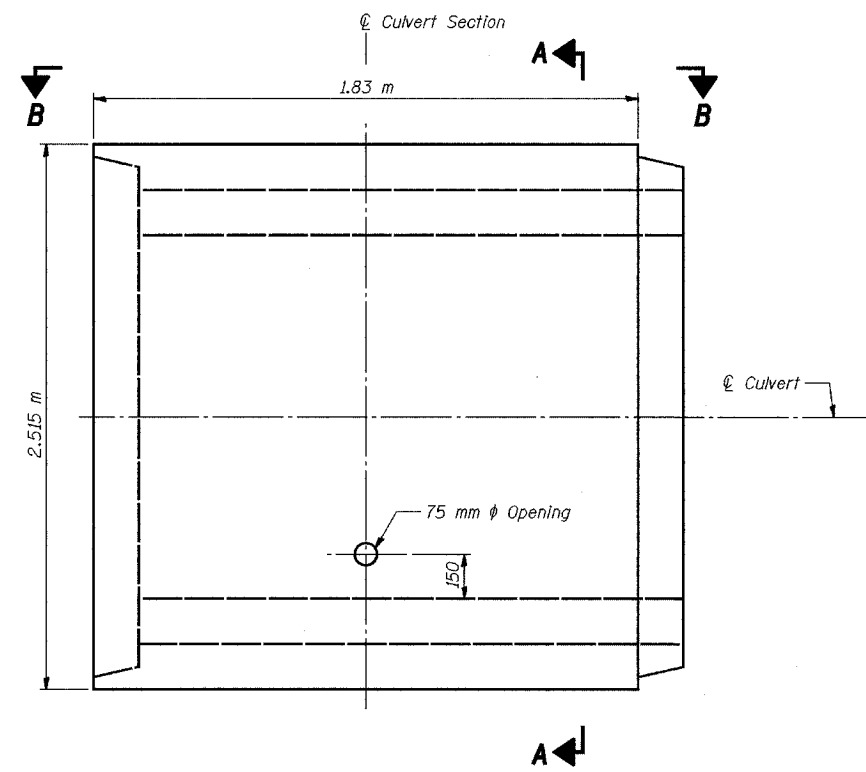
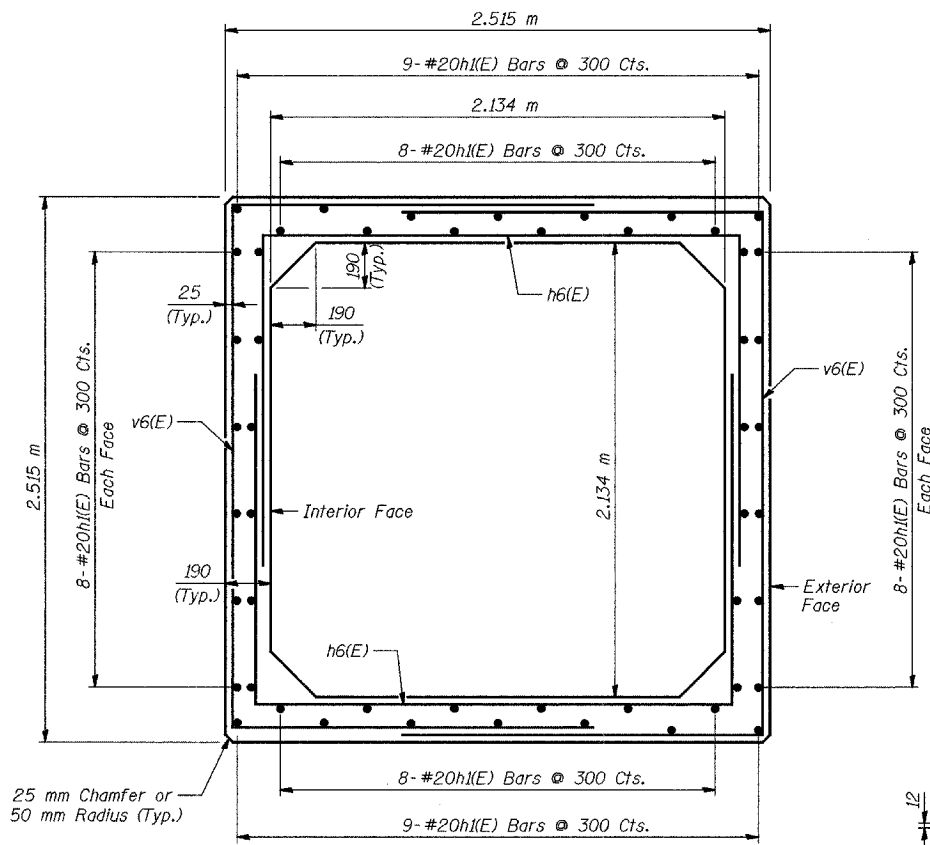


F.A. RTE.	SECTION	COUNTY	TOTAL SHEETS	SHEET NO.
337	19R-1	LAKE	800	558
STA.		TO STA.		
FED. ROAD DIST. NO.	ILLINOIS	FED. AID PROJECT		

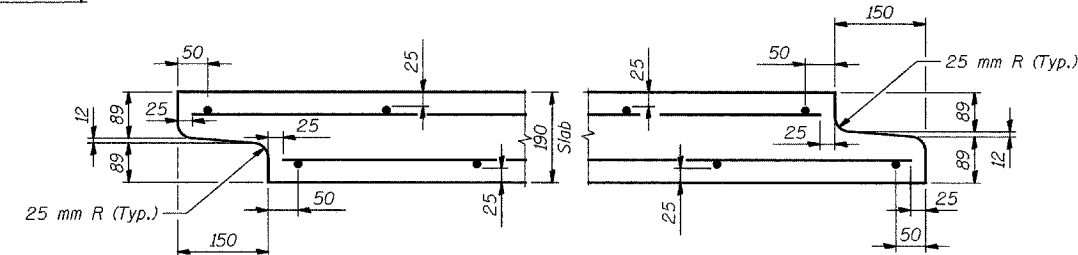
60997



**ELEVATION**

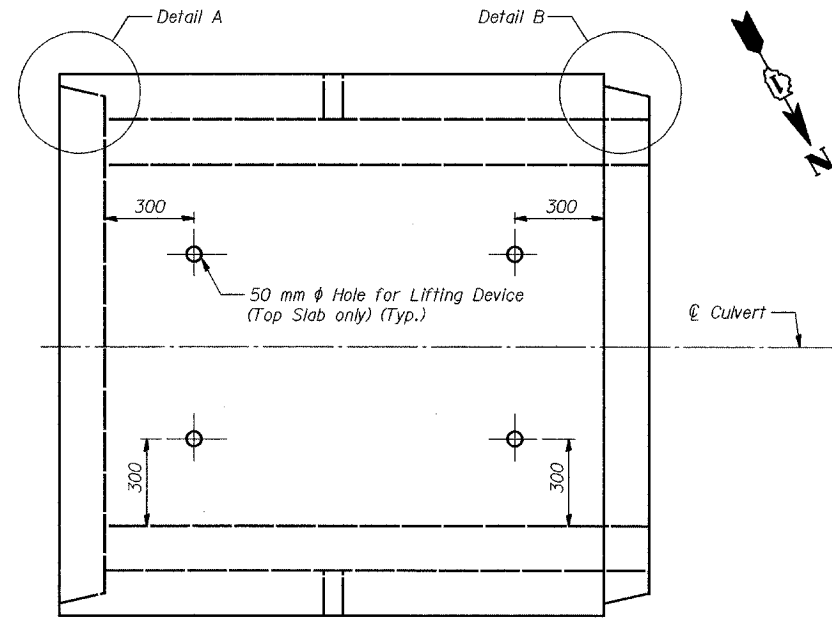


**SECTION A-A**



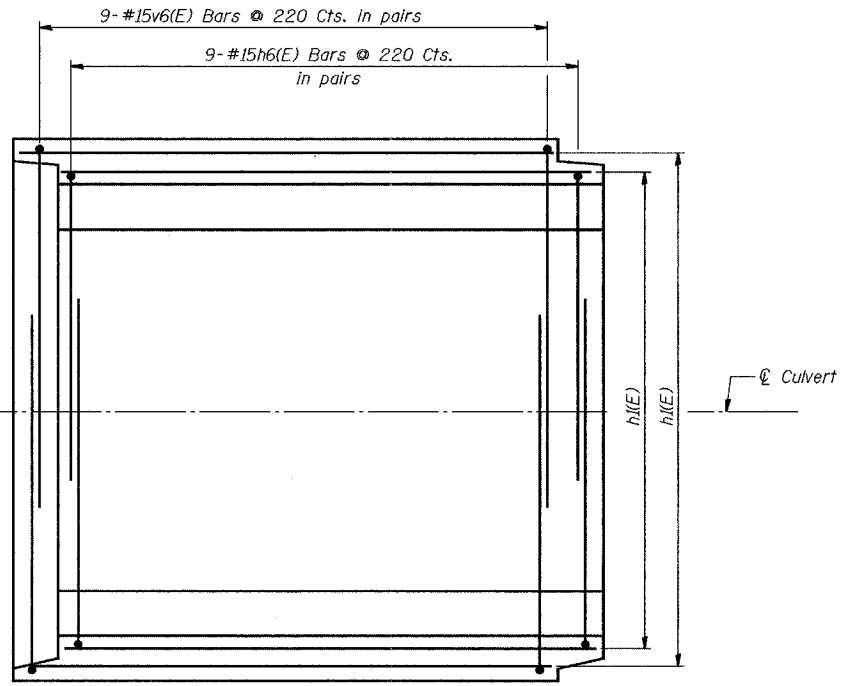
**DETAIL A**

**DETAIL B**



**PLAN**

Place Lifting Holes to avoid Reinforcement



**SECTION B-B**

**NOTES:**

1. Work this Sheet with Sheets 4 and 6.
2. Precast Concrete Box Culvert sections shall conform to the requirements of Article 540.06 of the Standard Specifications.
3. The minimum concrete strength shall be 35 MPa.
4. Lifting holes shall be filled with concrete plugs and mastic after box sections are in place.
5. Reinforcement Bars designated (E) shall be epoxy coated.
6. All dimensions are in millimeters (mm) except as noted.
7. Min. Lap for bars #15 is 640 mm and for #20 bars is 790 mm.
8. See Sheet 6 for Bill of Materials and Bar Details.

REVISIONS	
NAME	DATE

ILLINOIS DEPARTMENT OF TRANSPORTATION  
 ILLINOIS ROUTE 22  
 FROM US RTE 12 TO BUESCHING RD  
 CULVERT EXTENSION AT STA. 32+754.940  
 TYPICAL CULVERT SECTION DETAILS

SCALE : NTS  
 DATE : 05/21/04

DESIGNED BY EV  
 CHECKED BY NPP