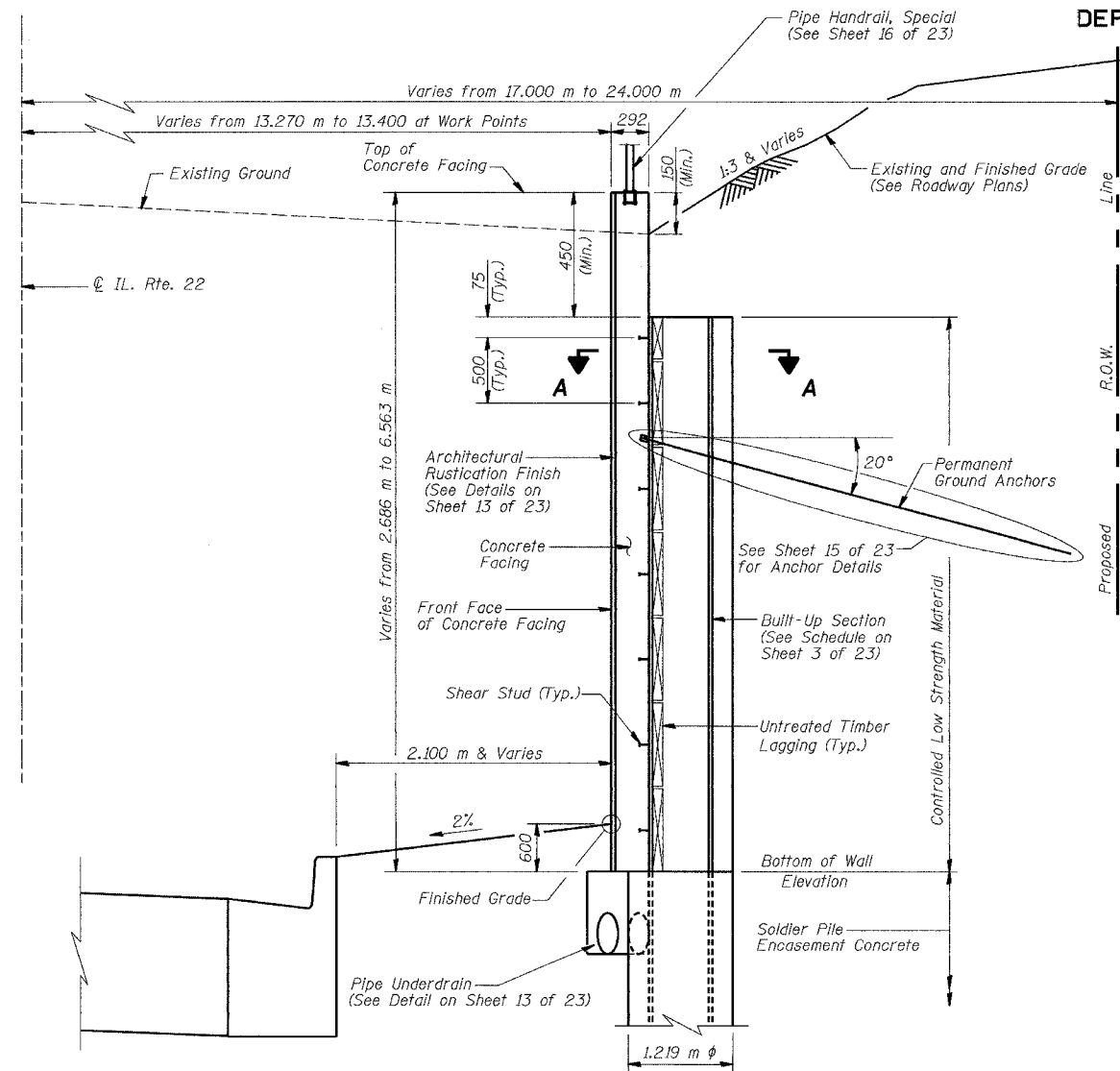
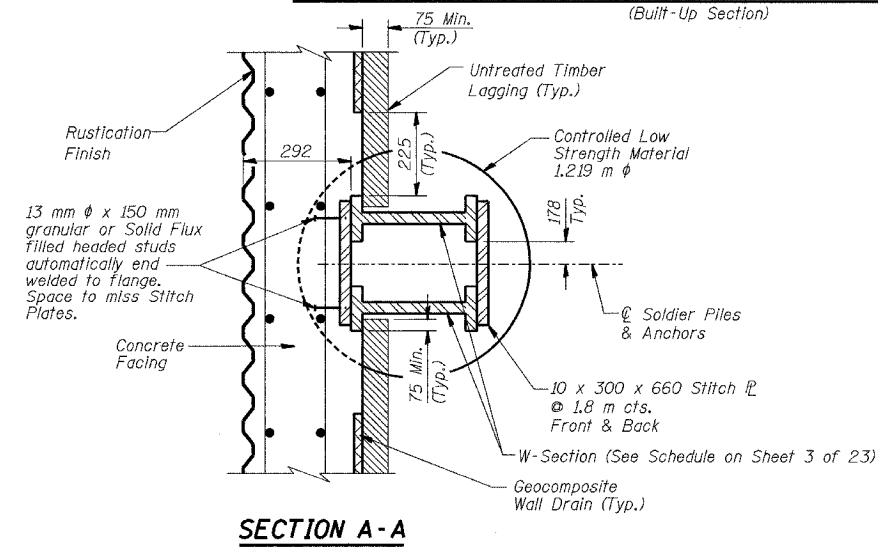


STATE OF ILLINOIS
DEPARTMENT OF TRANSPORTATION

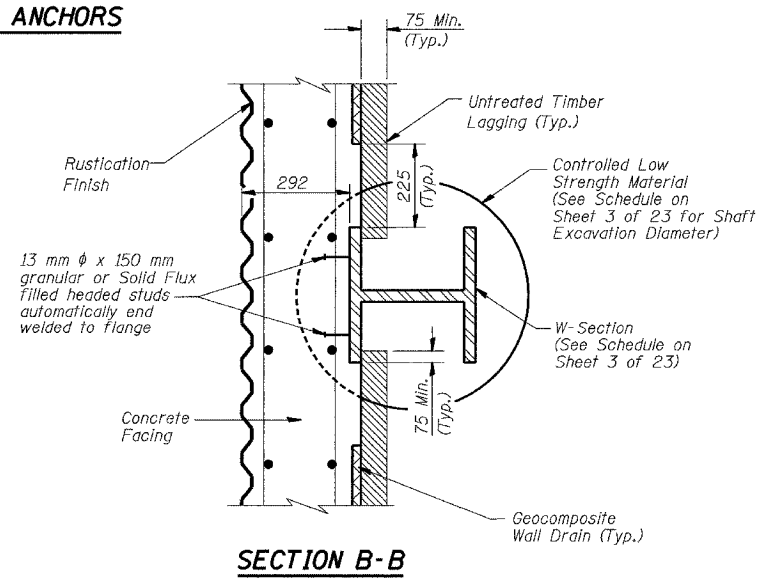
ROUTE NO.	SECTION	COUNTY	TOTAL SHEETS	SHEET NO.
FAP 337 (IL 22)	19R-1	LAKE	800	571
FED. ROAD DIST. NO.		ILLINOIS	FED. AID PROJECT	



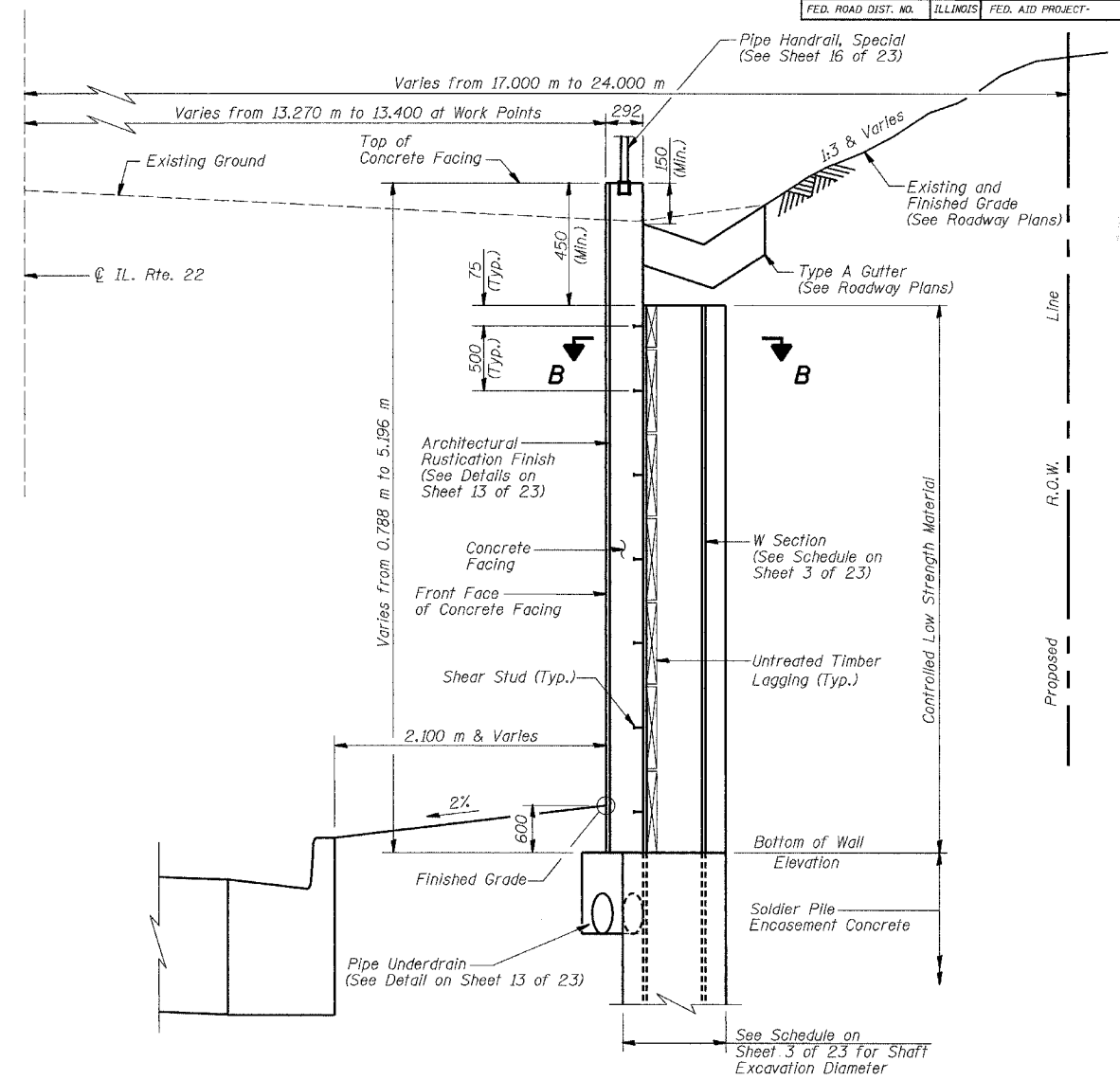
TYPICAL CROSS SECTION WITH PERMANENT GROUND ANCHORS
(Built-Up Section)



SECTION A-A



SECTION B-B



TYPICAL CROSS SECTION WITHOUT PERMANENT GROUND ANCHORS
(W Section)

NOTES:

1. All dimensions are in millimeters (mm) except as noted.

WALL DETAILS				Sheet No.
Date	Designed	TDN	F.A.P. RTE. 337 (IL. RTE. 22)	12
Revisions	Drawn	BKN	SECTION 19R-1	
	Checked	KWB	WEST OF U.S. 12 TO EAST OF BEUSCHING ROAD	
	Approved	KWB	LAKE COUNTY	
			STATION 8+752.493 TO 8+883.521	
			STRUCTURE NO. 049-W029	of 23
				URS Job No. 2100001385.01