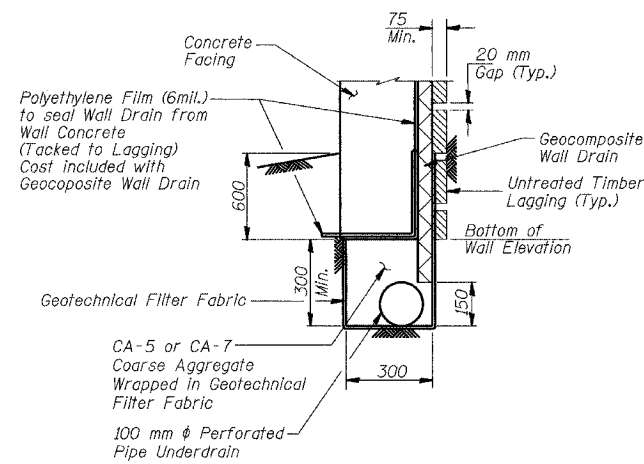
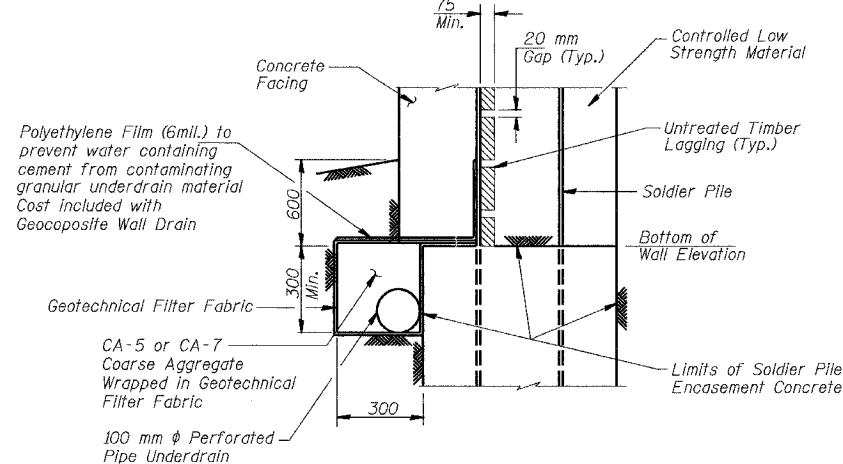


STATE OF ILLINOIS
DEPARTMENT OF TRANSPORTATION

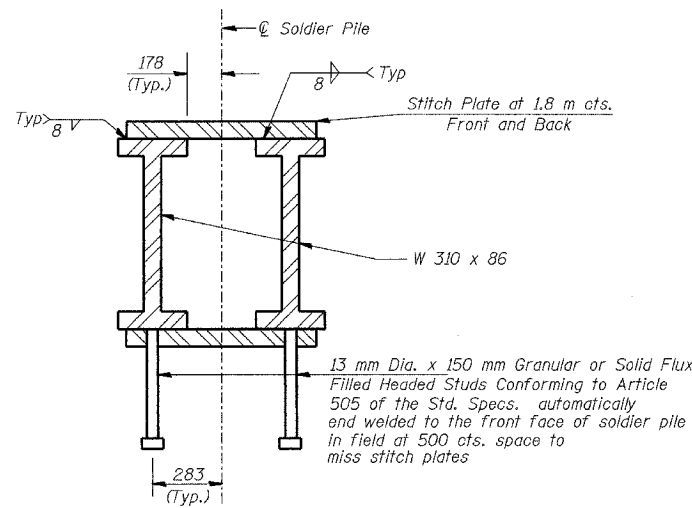
ROUTE NO.	SECTION	COUNTY	TOTAL SHEETS	SHEET NO.
FAP 337 (IL 22)	19R-1	LAKE	800	572
FED. ROAD DIST. NO.	ILLINOIS	FED. AID PROJECT-		



PIPE UNDERDRAIN BETWEEN SOLDIER PILES DETAIL

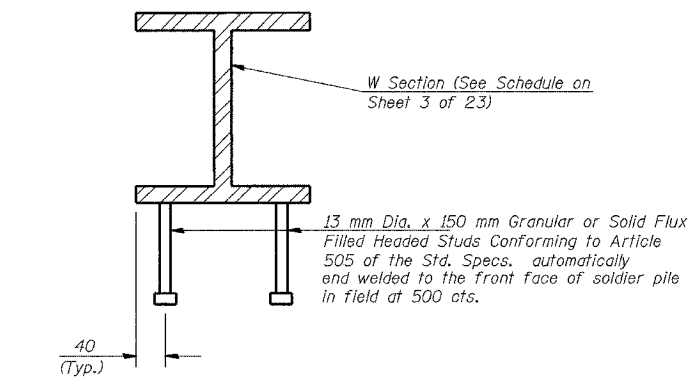


PIPE UNDERDRAIN AT SOLDIER PILE DETAIL



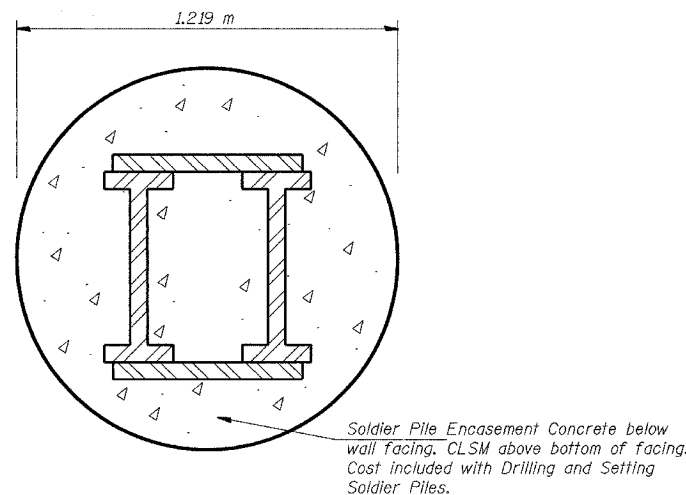
BUILT-UP SECTION SOLDIER PILE DETAIL

Soldier Piles No.s 9 thru 20



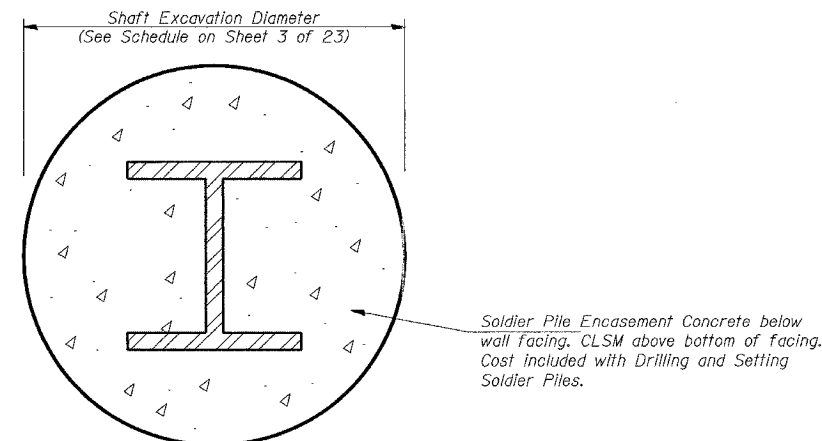
W SECTION SOLDIER PILE DETAIL

Soldier Piles No.s 1 thru 8 and 21 thru 76



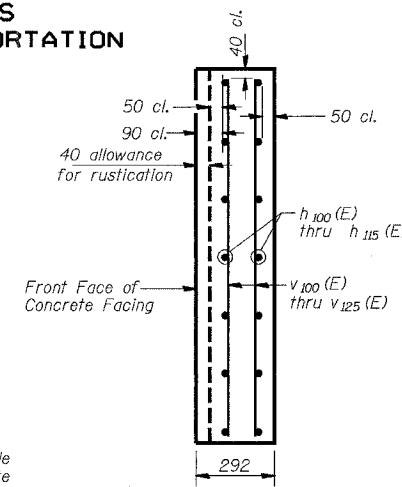
SECTION THRU BUILT-UP SECTION SOLDIER PILE

Soldier Piles No.s 9 thru 20

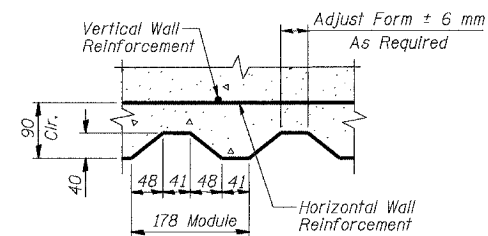


SECTION THRU W SECTION SOLDIER PILE

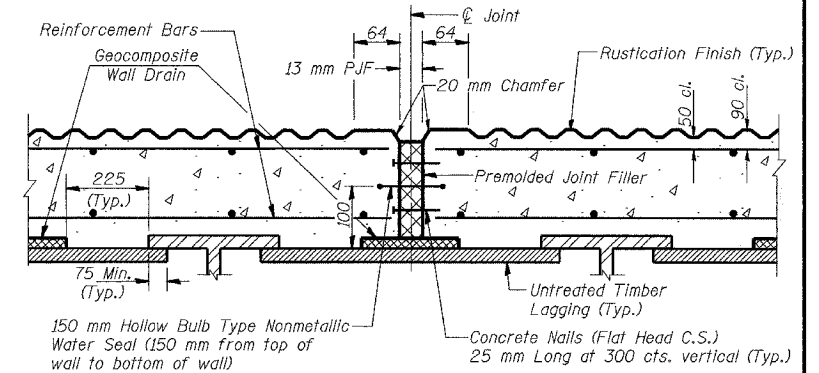
Soldier Piles No.s 1 thru 8 and 21 thru 76



SECTION THRU WALL FACING

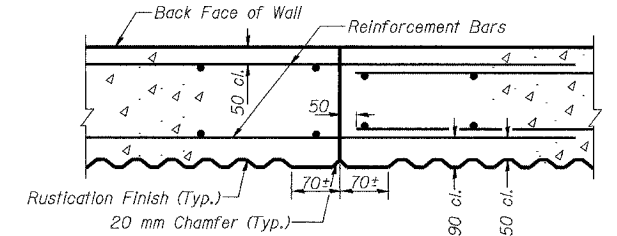


RUSTICATION FINISH DETAIL



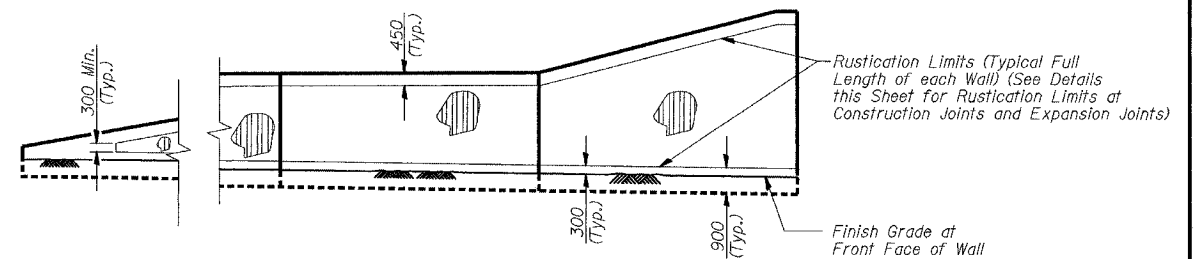
EXPANSION JOINT DETAIL

No Reinforcement to pass thru joint



CONSTRUCTION JOINT DETAIL

Reinforcement to pass thru joint



ELEVATION FOR RUSTICATION LIMITS

Looking South at Front Face of Concrete Facing

NOTES

- All dimensions are in millimeters (mm) except as noted.
- The Pipe Underdrains for Structures, 100 mm installation shall follow Section 601 of the Standard Specifications, except that the excavation should be filled with CA-5 or CA-7 Coarse Aggregate. The trench will be lined with Geotechnical Filter Fabric and have a 100 mm diameter Perforated Pipe located near the base of the excavation. The cost for the Geotechnical Filter Fabric, coarse aggregate and Perforated Pipe will be included with the Pay Item Pipe Underdrains for Structures, 100 mm.
- Pipe Underdrains for Structures, 100 mm shall connect with the proposed Storm Drainage System as shown in the Drainage Plans. See Drainage Plans for details. Cost of non-perforated pipe and connections to the drainage structures is included with Pipe Underdrains for Structures, 100 mm.

WALL DETAILS				Date	Designed TDN	Sheet No.
F.A.P. RTE. 337 (IL. RTE. 22) SECTION 19R-1 WEST OF U.S. 12 TO EAST OF BEUSCHING ROAD LAKE COUNTY STATION 8+752.493 TO 8+883.521 STRUCTURE NO. 049-W029						
				Checked KWB	Approved KWB	
						URS Job No. 2.100001385.01