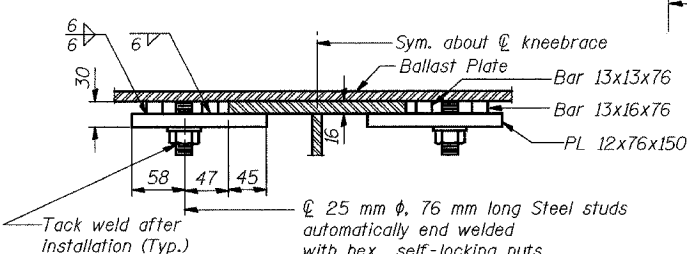
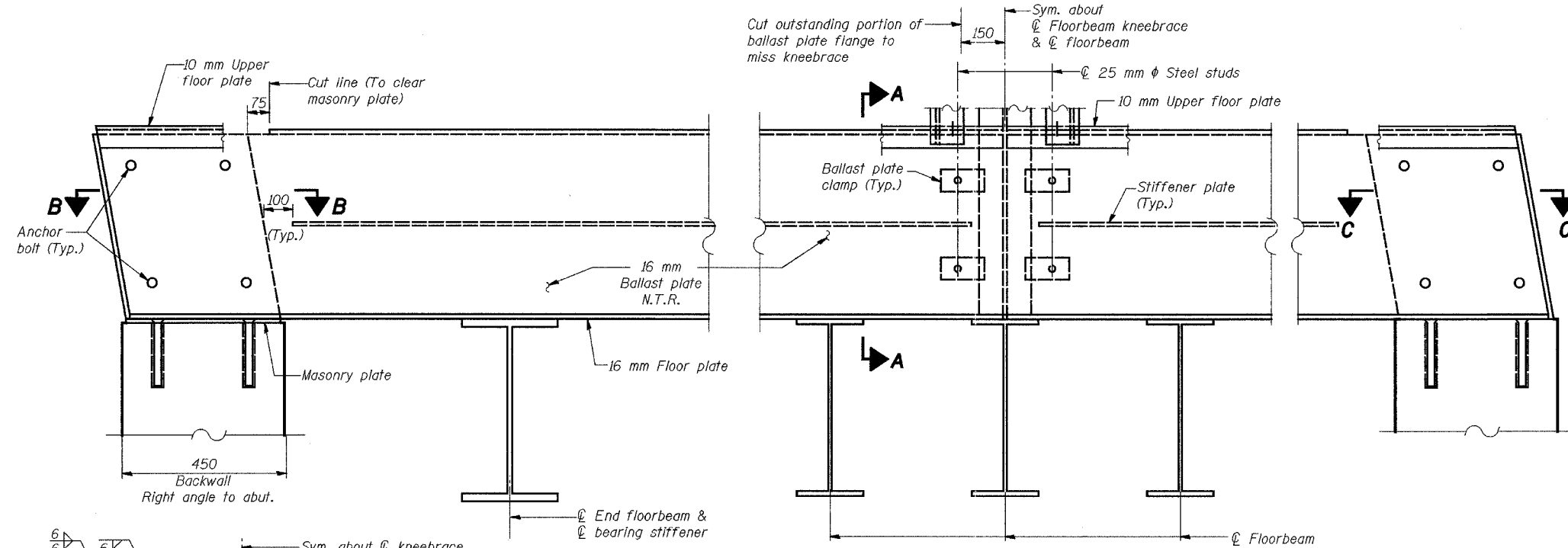


STATE OF ILLINOIS
DEPARTMENT OF TRANSPORTATION

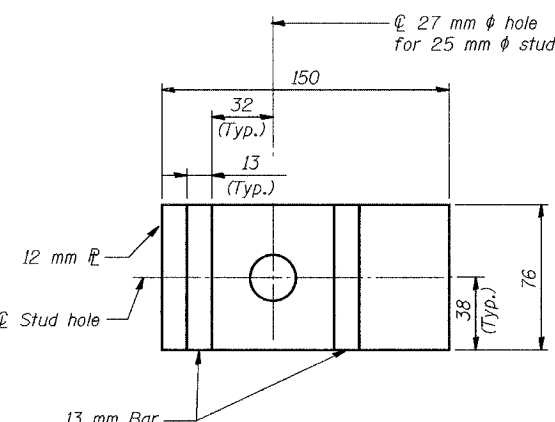
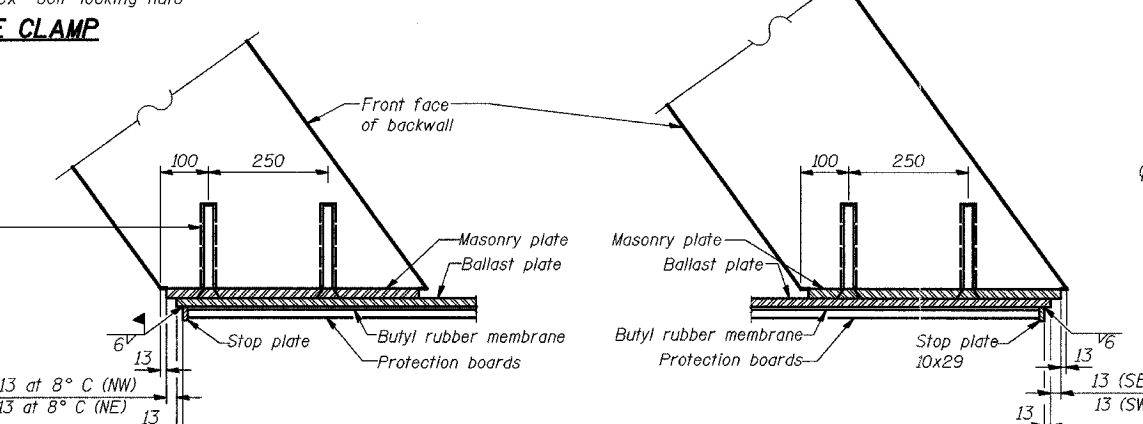
ROUTE NO.	SECTION	COUNTY	TOTAL SHEETS	SHEET NO.
F.A.P. 337	19R-D	LAKE	800	589
FED. ROAD DIST. NO.	ILLINOIS	FED. AID PROJECT-		

SHEET NO. 7
37 SHEETS



BALLAST PLATE CLAMP

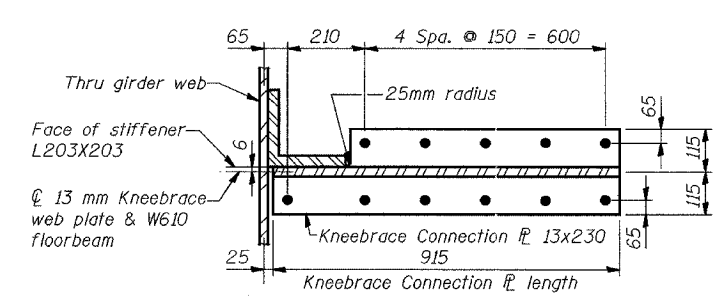
30 mm ϕ CSK holes in masonry plates for 20 mm ϕ X 150 mm anchor bolts. Drilled or formed holes in the concrete and be grouted into place. Masonry plate to be welded to anchor bolts in the field and ground smooth (Typ. Sections C-C & B-B)



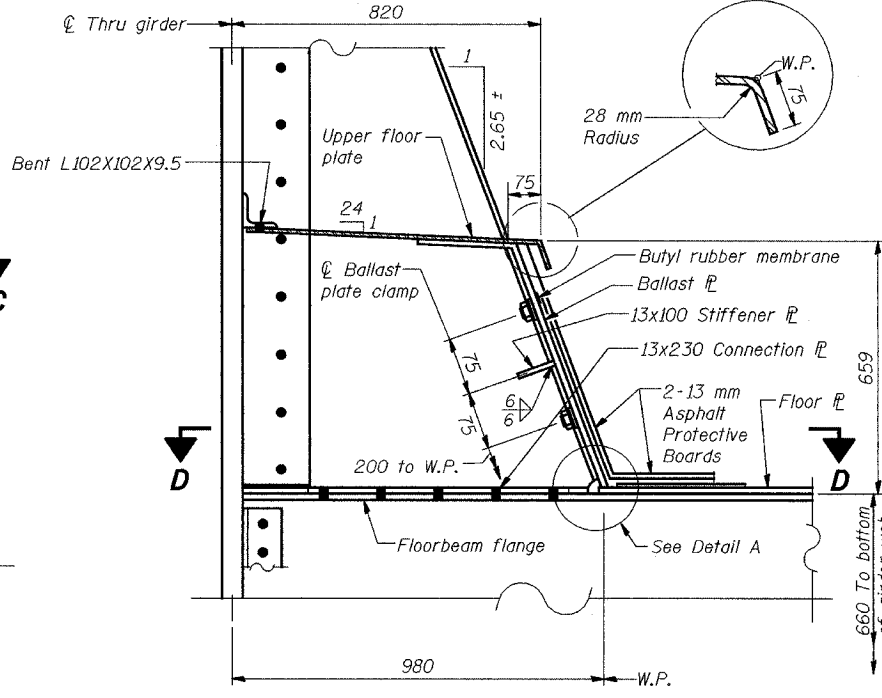
BALLAST PLATE CLAMP DETAIL

NOTE TO THE FABRICATOR:
TIGHTEN NUTS ON BALLAST PLATE ϕ CLAMP TO SNUG FIT ONLY. DO NOT OVER TORQUE BOLTS.

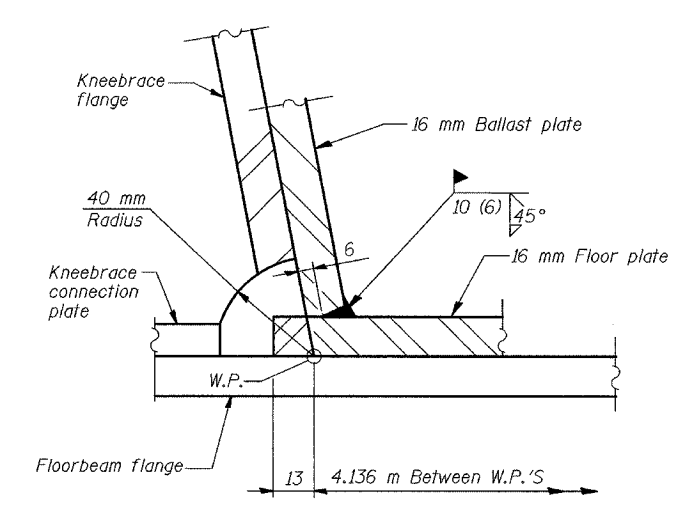
- Notes:
- Ballast plate to be spliced in the field at 3.6 m cts. between kneebraces and shall match floor plate splice locations. See splice Detail on "Floor Plate" drawing sheet 5.
 - Work this Sheet with Sheets 5, 6, 19 through 21 and 27 through 29.
 - N.T.R. indicates notch toughness requirements.
 - See Sht. 8 for kneebrace spacings.



SECTION D-D



SECTION A-A



DETAIL A

BALLAST PLATE DETAILS				
Date	Designed	EV	ELGIN, JOLIET & EASTERN R.W. CO. BRIDGE OVER ILLINOIS ROUTE 22 F.A.P. ROUTE 337 SECTION (19R-D) LAKE COUNTY STATION 32+61.151 STRUCTURE NO. 049-0188	Sheet No.
Revisions	Drawn	EV		7
	Checked	NPP		
	Approved	NPP		
	Prepared By:	URS		of 37