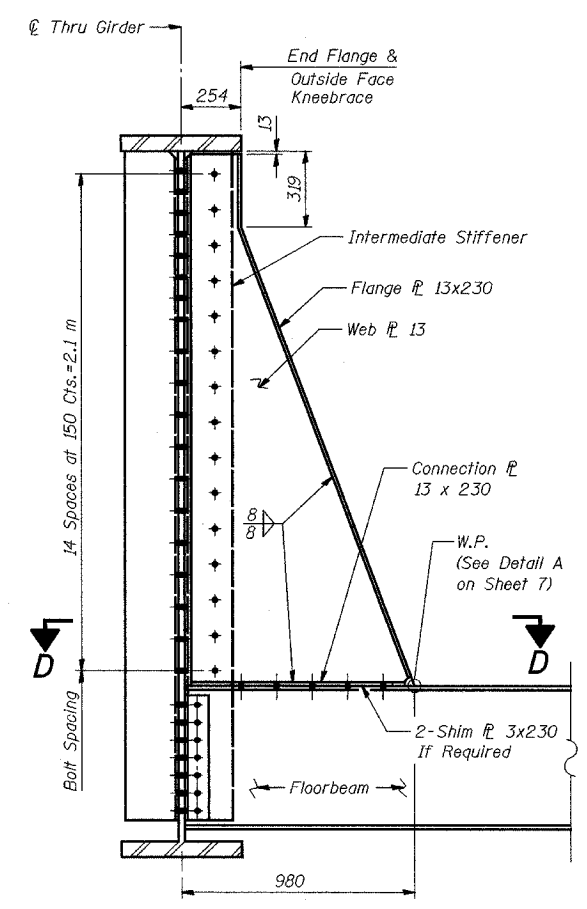
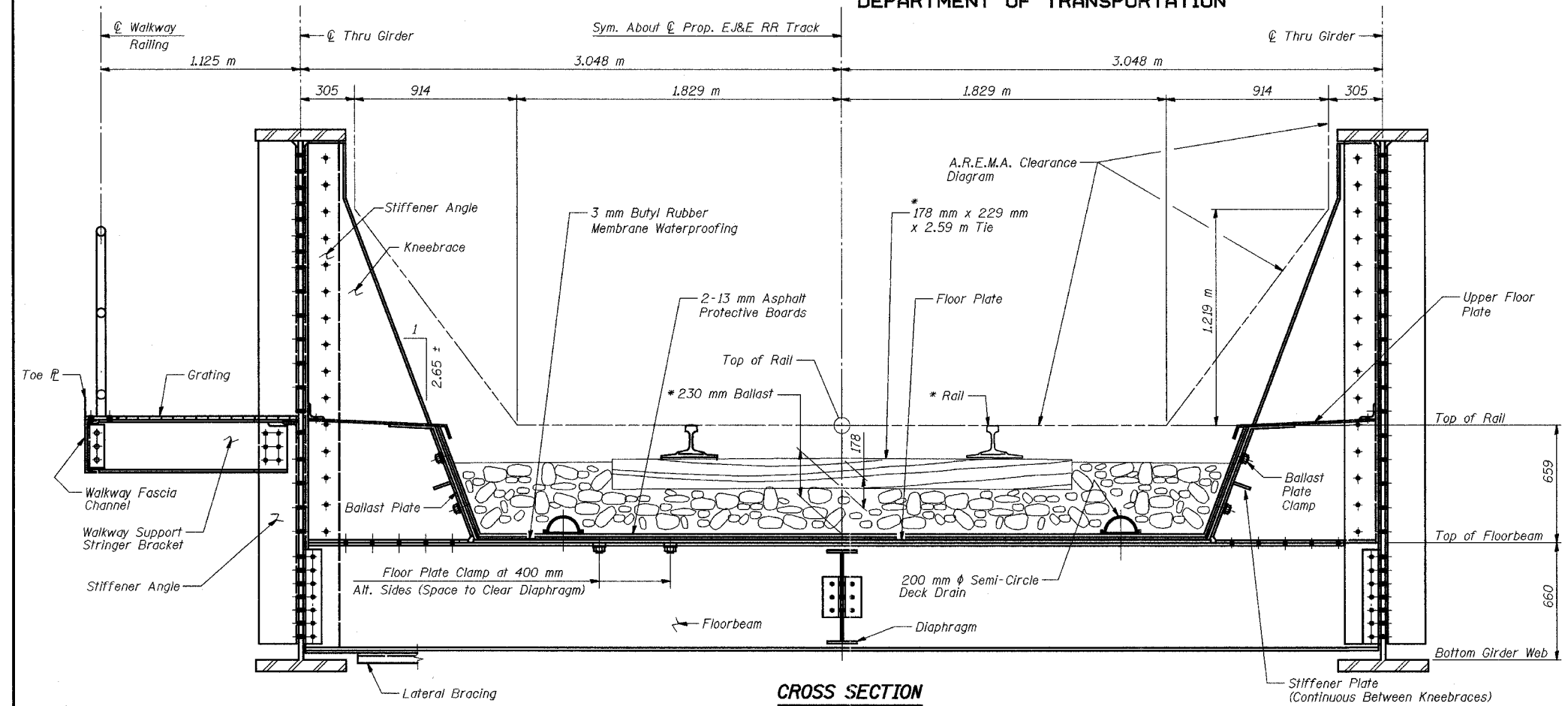


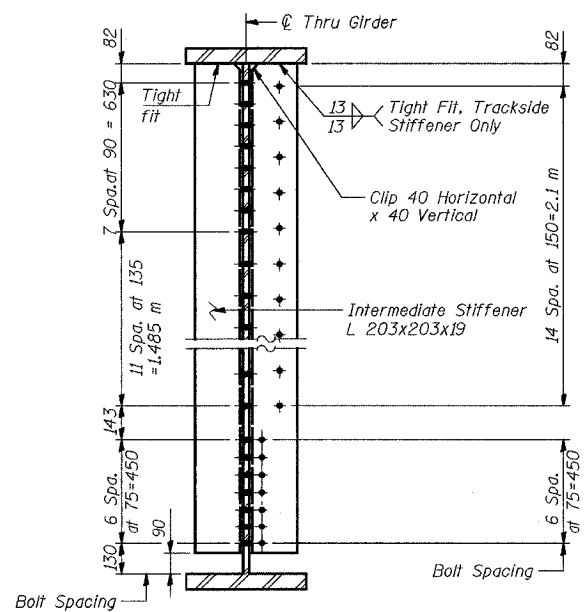
STATE OF ILLINOIS
DEPARTMENT OF TRANSPORTATION

ROUTE NO.	SECTION	COUNTY	TOTAL SHEETS	SHEET NO.
F.A.P. 337	19R-D	LAKE	800	592
FED. ROAD DIST. NO.	ILLINOIS	FED. AID PROJECT		

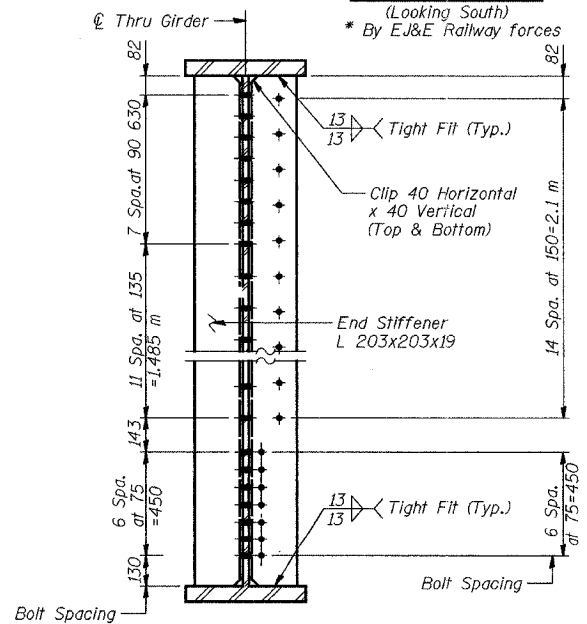
SHEET NO. 10
37 SHEETS



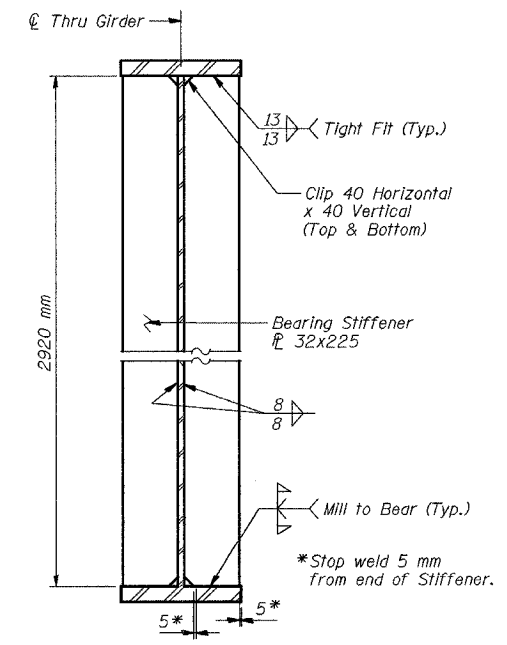
CROSS SECTION
(Looking South)
* By E.J.&E. Railway forces



INTERMEDIATE STIFFENER



END STIFFENER
(End Two Stiffeners - Each End)



BEARING STIFFENER

- Notes:
- Girder bearing stiffeners shall be AASHTO M270M Grade 345 unless otherwise shown.
 - See Sheet 7 for Section D-D.
 - All dimensions are in millimeters (mm) except as noted.
 - Backer bars shall not be left in place after welding is completed.

DECK CROSS SECTION				Sheet No.
Date	Designed	EV	ELGIN, JOLIET & EASTERN R.W. CO. BRIDGE OVER ILLINOIS ROUTE 22 F.A.P. ROUTE 337 SECTION (19R-D) LAKE COUNTY STATION 32+611.151 STRUCTURE NO. 049-0188	10 of 37
Revisions	Drawn	EV		
	Checked	NPP		
	Approved	NPP		
Prepared By: URS				