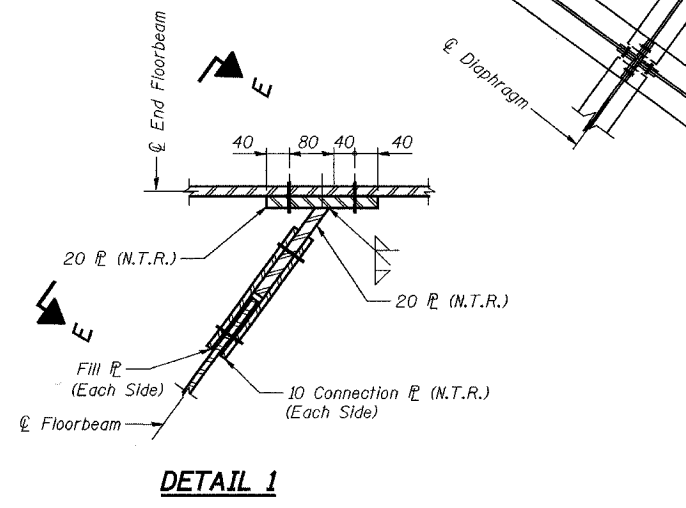
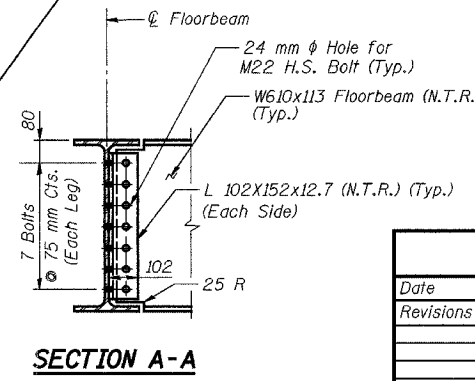
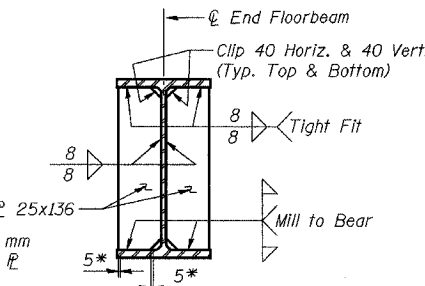
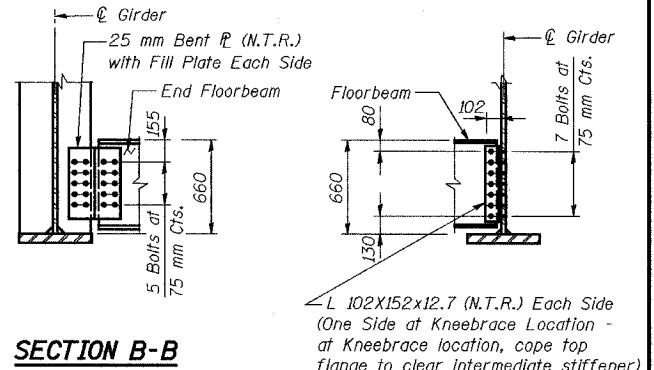
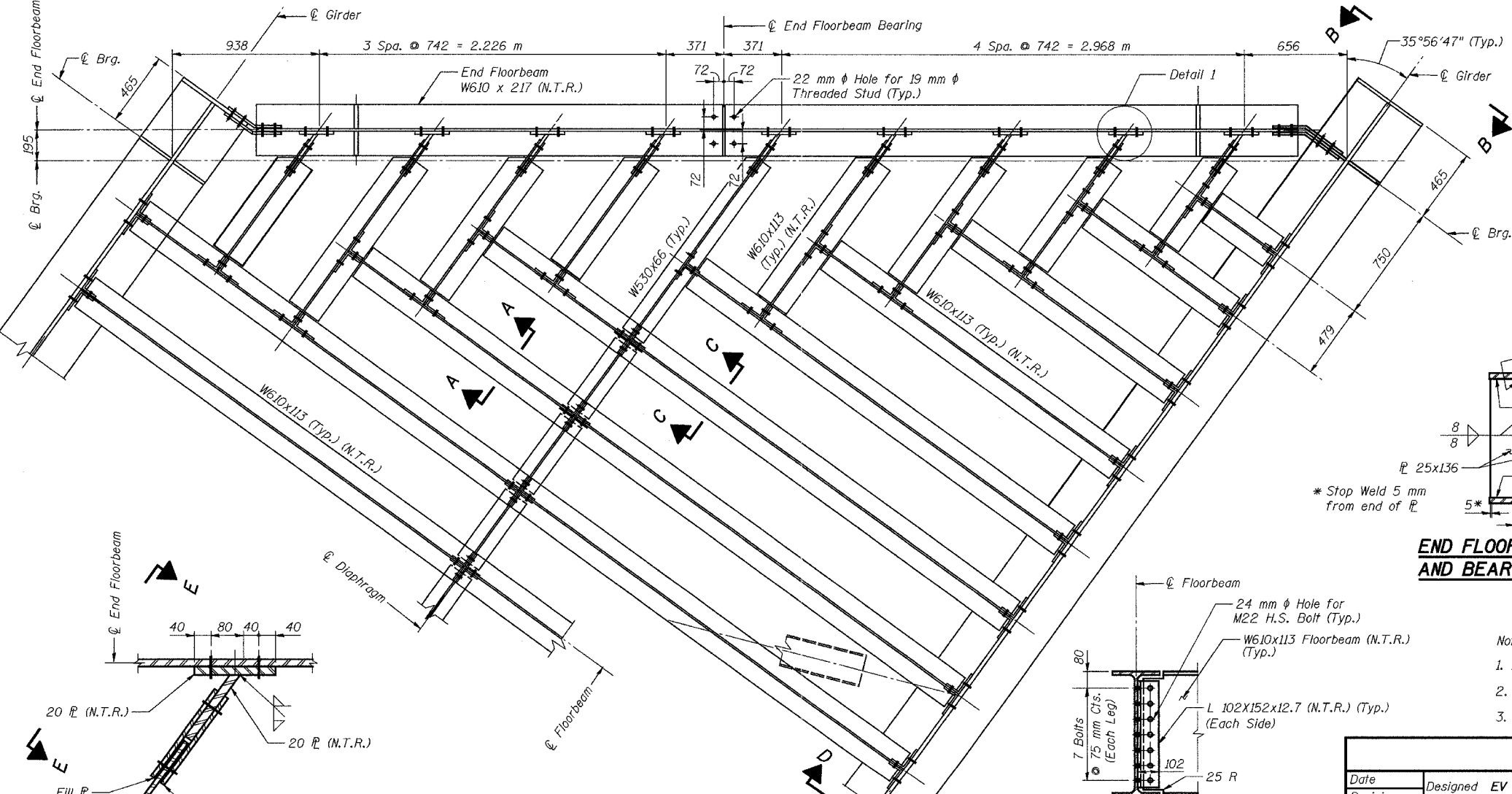
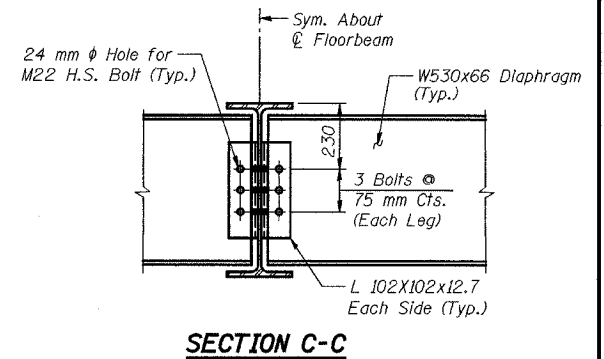
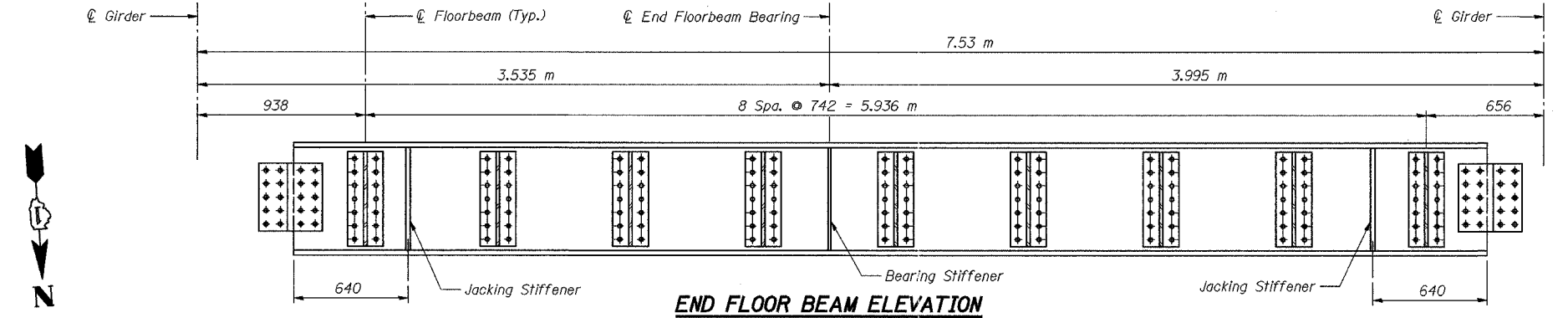


STATE OF ILLINOIS
DEPARTMENT OF TRANSPORTATION

ROUTE NO.	SECTION	COUNTY	TOTAL SHEETS	SHEET NO.
F.A.P. 337	19R-D	LAKE	800	593
FED. ROAD DIST. NO.	ILLINOIS	FED. AID PROJECT-		

SHEET NO. 11
37 SHEETS



PARTIAL PLAN
(South Abutment Shown
North Abutment Similar
by 180° Rotation)

- Notes:
1. All dimensions are in millimeters (mm) except as noted.
 2. Work this sheet with sheets 10 and 12 through 15.
 3. N.T.R. indicates notch toughness requirements.

Date		Designed	EV	FLOORBEAM DETAILS ELGIN, JOLIET & EASTERN RY. CO. BRIDGE OVER ILLINOIS ROUTE 22 F.A.P. ROUTE 337 SECTION (19R-D) LAKE COUNTY STATION 32+611.151 STRUCTURE NO. 049-0188	Sheet No. 11 of 37
Revisions		Drawn	EV		
		Checked	NPP		
		Approved	NPP		
		Prepared By:	URS		