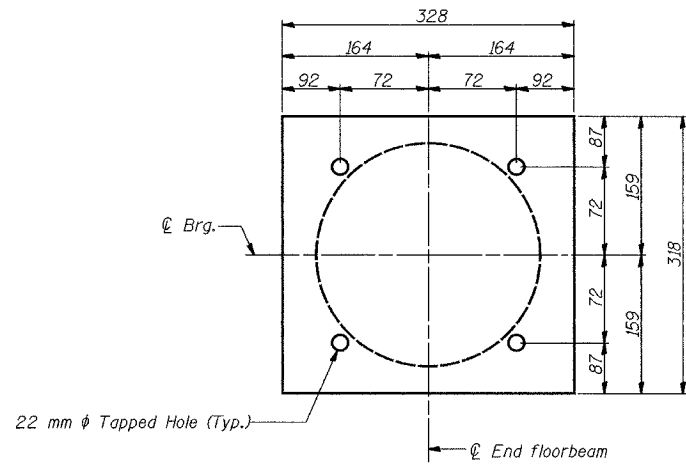


STATE OF ILLINOIS  
DEPARTMENT OF TRANSPORTATION

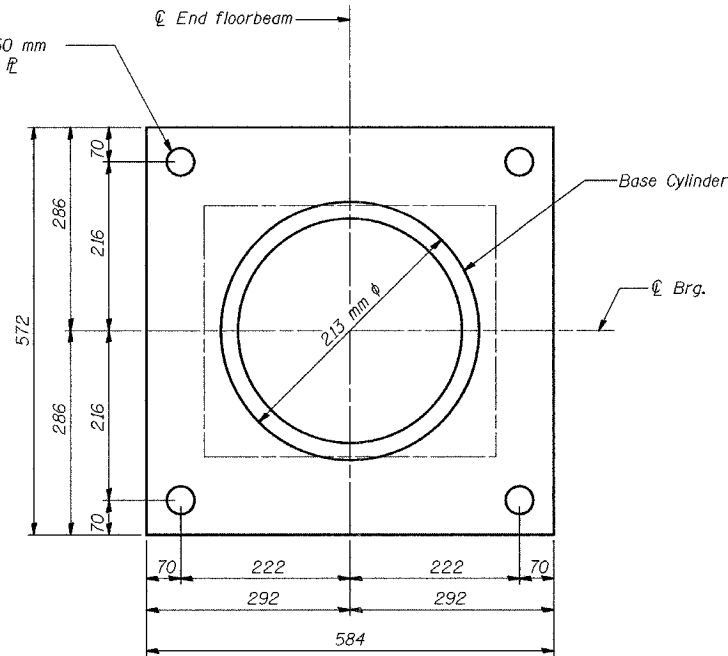
ROUTE NO.	SECTION	COUNTY	TOTAL SHEETS	SHEET NO.
F.A.P. 337	19R-D	LAKE	800	599
FED. ROAD DIST. NO.	ILLINOIS	FED. AID PROJECT-		

SHEET NO. 17  
37 SHEETS

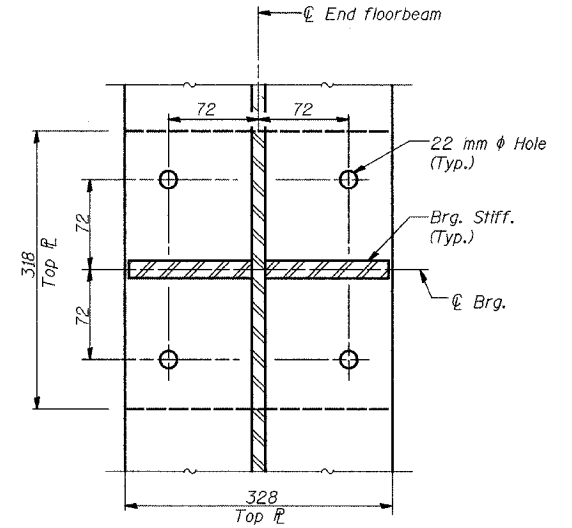


**TOP BEARING PLATE & PISTON PLAN**

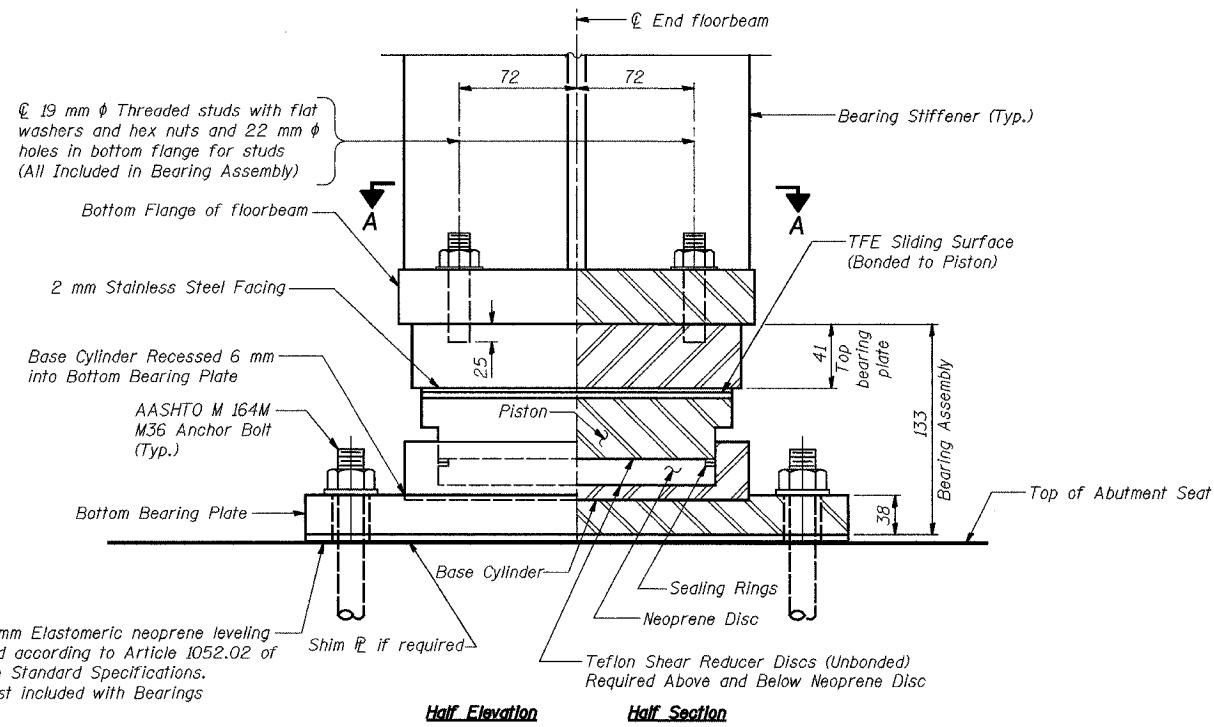
48 mm  $\phi$  Holes for M36x450 mm Anchor bolts with 75x75x8  $\phi$  washer under nut.



**BOTTOM BEARING PLATE & BASE CYLINDER PLAN**



**SECTION A-A**

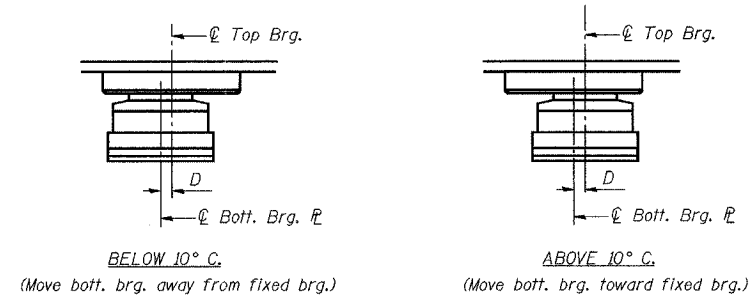


**EXPANSION FLOATING BEARING**

(2 Required one (1) at each end floorbeam)

Total - Total axial DL+LL w/o impact...	450 kN
D - Outside pot diameter.....	213 mm
Tb - Thickness of bottom plate.....	38 mm
Tt - Thickness of top plate.....	41 mm
Th - Total height of bearing assembly.....	133 mm
Movement = 60 mm Total ( $\pm 30$ mm set at 10°C)	

Rotation = .01 Radians (DL and LL)



**ANCHOR BOLT SETTING DETAILS AT EXP. BRG.**

D = 1 mm per each 10 m of expansion for every 8° C temp change from the normal temp. of 10° C.

**BILL OF MATERIAL**

Item	Unit	Total
Floating Bearings, Non-Guided Expansion, 750kN	Each	2

NOTE:

1. All steel for Floating Bearing shall conform to the requirements of AASHTO M 270M, Grade 345, unless noted otherwise.

**END FLOORBEAM FLOATING BEARINGS NON-GUIDED EXPANSION**

Date	Designed	EV	ELGIN, JOLIET & EASTERN R.W. CO. BRIDGE OVER ILLINOIS ROUTE 22 F.A.P. ROUTE 337 SECTION (19R-D) LAKE COUNTY STATION 32+61.151 STRUCTURE NO. 049-0188	Sheet No. <b>17</b> of 37
Revisions	Drawn	EV		
	Checked	NPP		
	Approved	NPP		
	Prepared By:	URS		