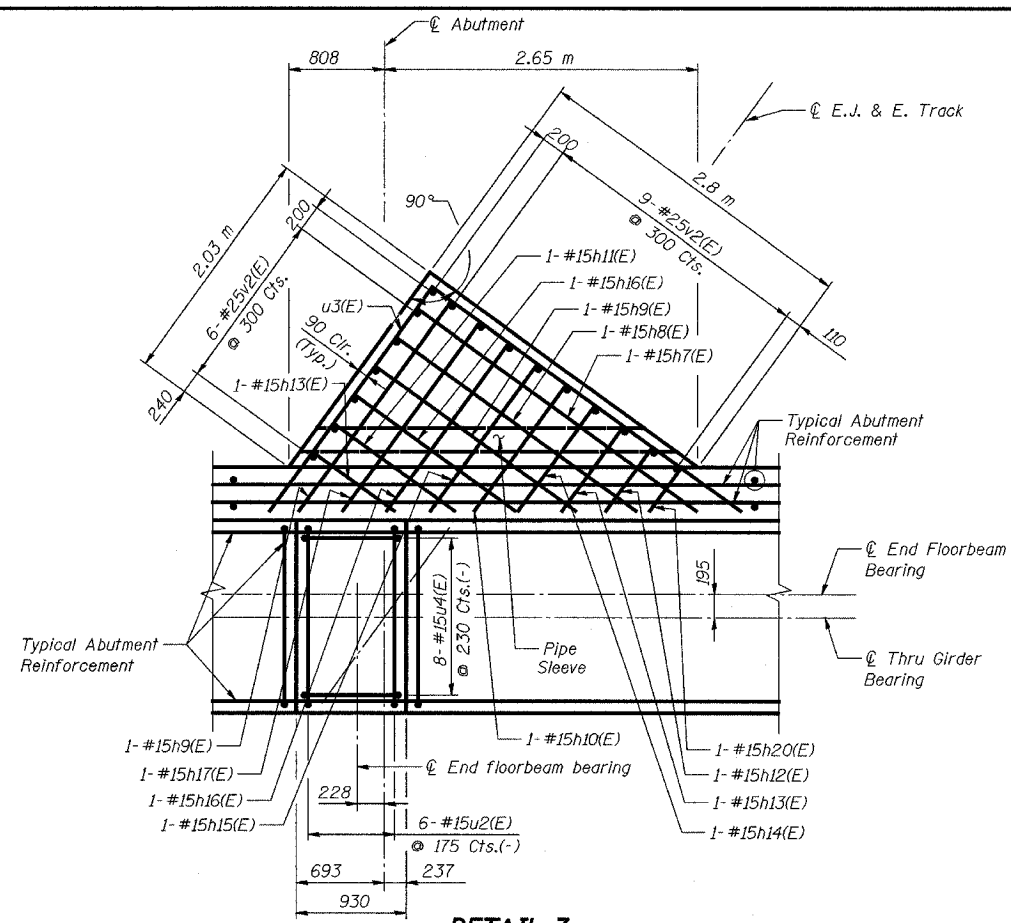


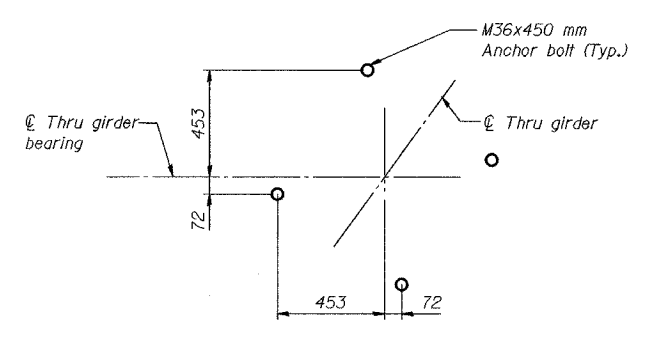
STATE OF ILLINOIS
DEPARTMENT OF TRANSPORTATION

ROUTE NO.	SECTION	COUNTY	TOTAL SHEETS	SHEET NO.
F.A.P. 337	19A-D	LAKE	800	603
FED. ROAD DIST. NO.	ILLINOIS	FED. AID PROJECT-		

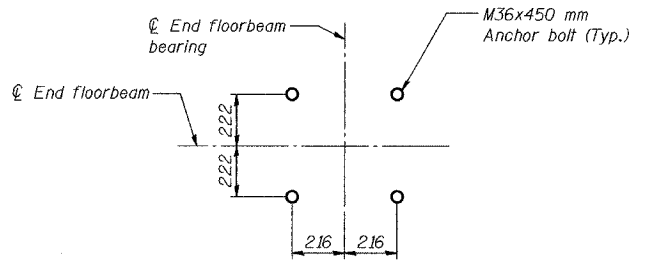
SHEET NO. 21
37 SHEETS



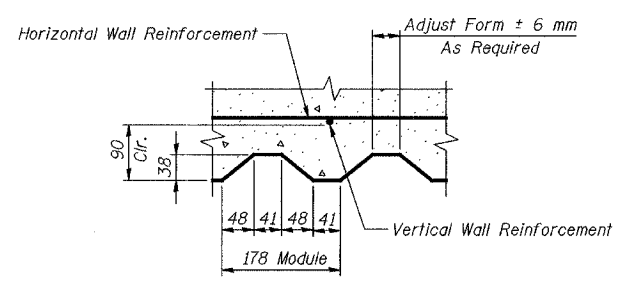
DETAIL 7



DETAIL 1

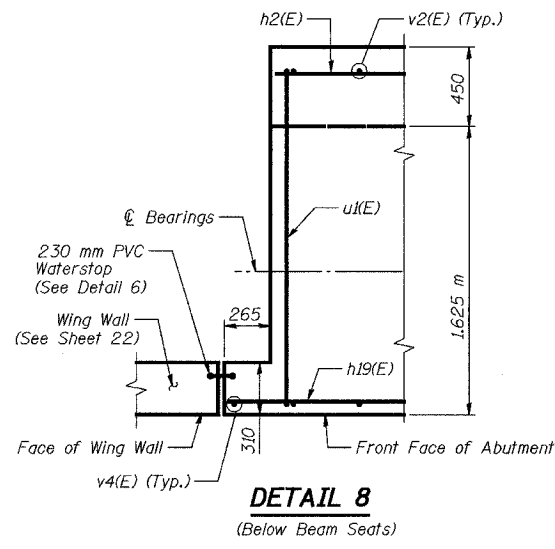
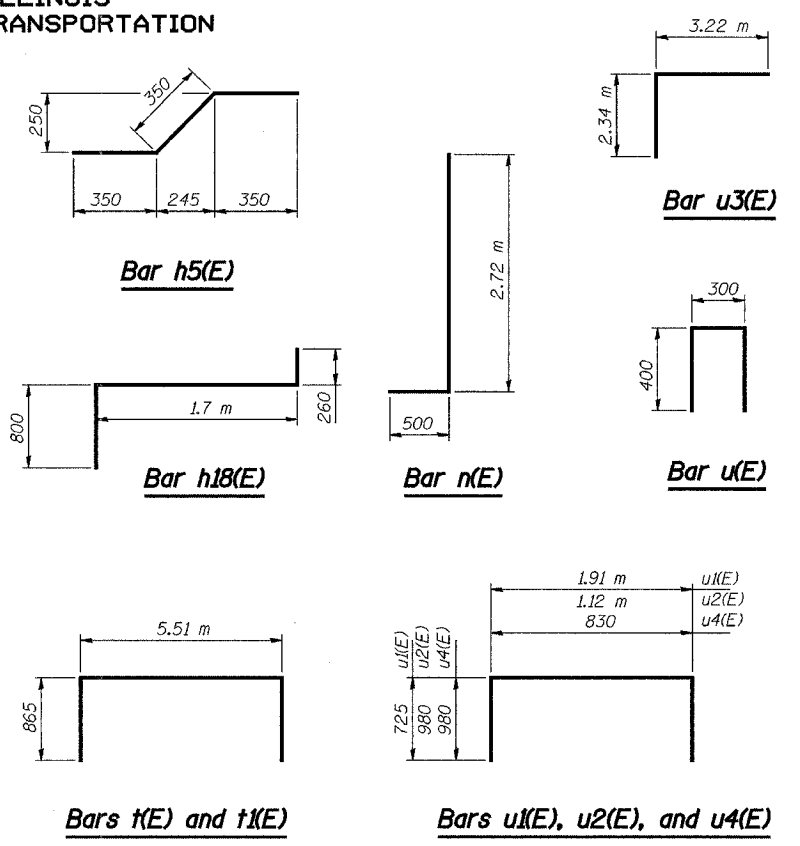


DETAIL 2



RUSTICATION FINISH DETAIL

- NOTES:**
1. Work this Sheet with Sheets 19, 20 and 22.
 2. Reinforcement Bars designated (E) shall be Epoxy Coated.
 3. See Sheet 19 for locations of Details 1, 2, 7, 8 and Rustication Finish Detail.
 4. All dimensions are in millimeters (mm) except as noted.



DETAIL 8
(Below Beam Seats)

BILL OF MATERIAL

Bar	No.	Size	Length (m)	Shape
h(E)	2	#15	2.45	
h1(E)	2	#15	2.63	
h2(E)	52	#15	5.32	
h3(E)	2	#15	1.3	
h4(E)	2	#15	1.11	
h5(E)	4	#15	1.05	
h6(E)	44	#15	1.5	
h7(E)	1	#15	2.92	
h8(E)	1	#15	2.5	
h9(E)	2	#15	2.1	
h10(E)	1	#15	1.31	
h11(E)	1	#15	1.01	
h12(E)	1	#15	0.67	
h13(E)	2	#15	0.89	
h14(E)	1	#15	1.1	
h15(E)	1	#15	1.54	
h16(E)	2	#15	1.75	
h17(E)	1	#15	1.97	
h18(E)	12	#15	2.76	
h19(E)	36	#15	2.2	
h20(E)	1	#15	0.45	
n(E)	128	#25	3.22	
u(E)	58	#30	7.24	
u1(E)	56	#25	7.24	
u2(E)	50	#15	1.1	
u3(E)	56	#15	3.36	
u4(E)	6	#15	3.08	
u5(E)	18	#15	5.56	
u6(E)	8	#15	2.79	
v(E)	28	#15	1.5	
v1(E)	24	#25	6.7	
v2(E)	46	#25	6.01	
v3(E)	22	#15	2.18	
v4(E)	58	#25	5.04	
v5(E)	16	#15	2.45	
w(E)	80	#15	5.32	
Concrete Structures	cu m		193.64	
Reinforcement Bars, Epoxy Coated	kg		11,070	
Braced Excavation	cu m		559.3	
Bridge Seat Sealer	sq m		15.85	
Pipe Underdrains for Structures 200mm	meter		10.35	
Furnishing Metal Pile Shells 356 mm	meter		497	
Driving and Filling Shells	meter		497	
Test Pile Metal Shells	Each		1	
Rustication Finish	sq m		37.0	

NORTH ABUTMENT DETAILS 2

Date	Designed EV	ELGIN, JOLIET & EASTERN R.W. CO. BRIDGE OVER ILLINOIS ROUTE 22 F.A.P. ROUTE 337 SECTION (19A-D) LAKE COUNTY STATION 32+611.151 STRUCTURE NO. 049-0188	Sheet No. 21 of 37
Revisions	Drawn EV		
	Checked NPP		
	Approved NPP		
Prepared By: URS			