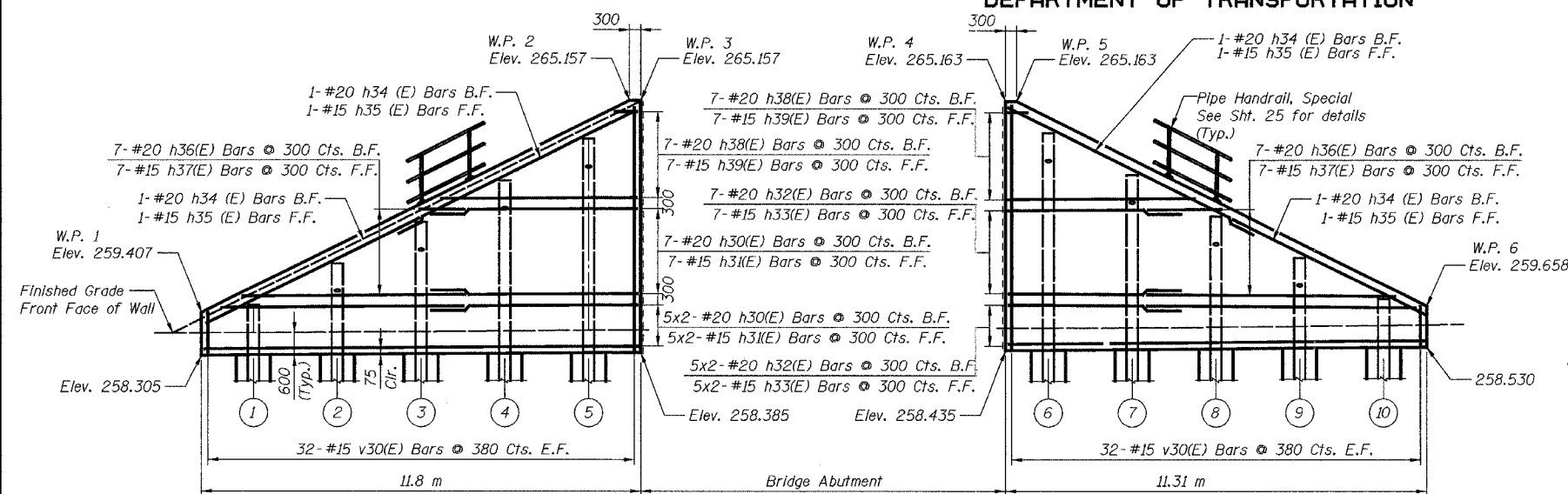


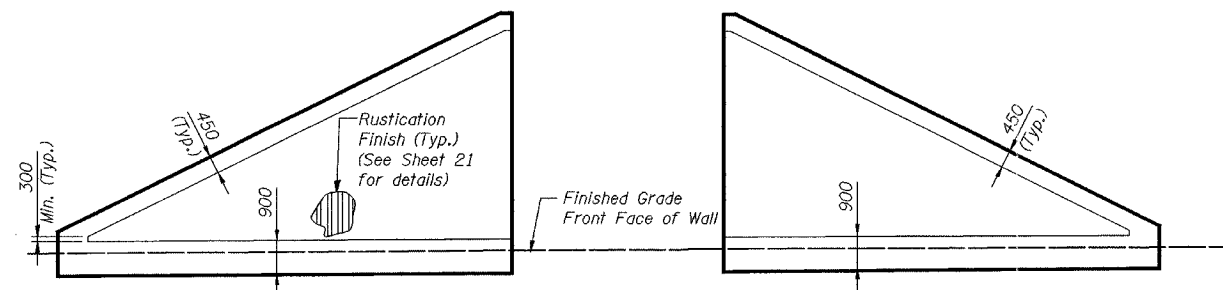
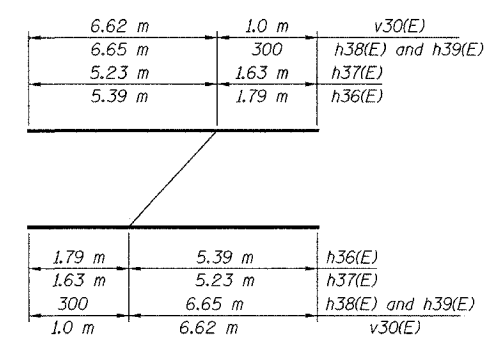
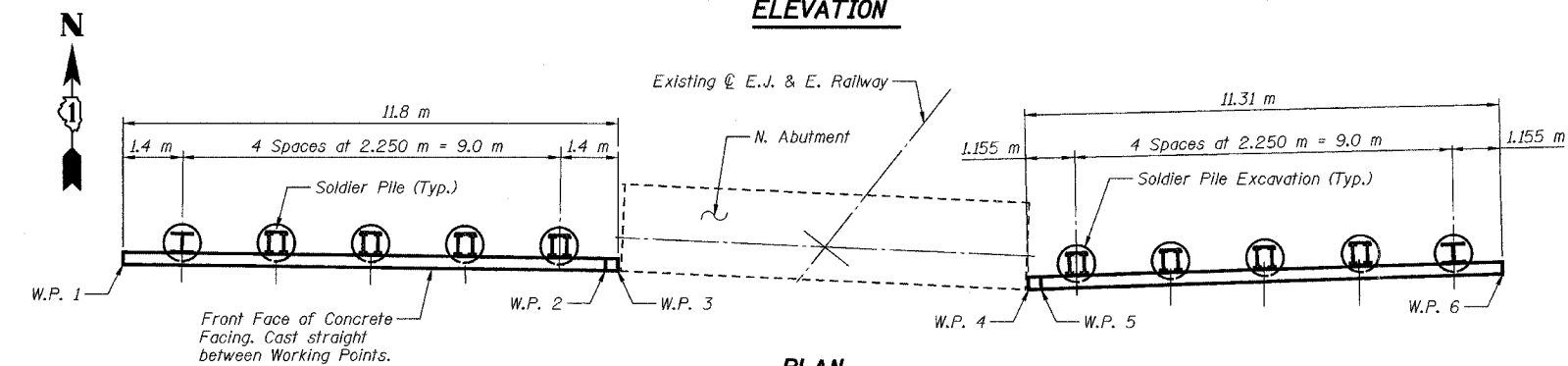
ROUTE NO.	SECTION	COUNTY	TOTAL SHEETS	SHEET NO.
F.A.P. 337	09R-D	LAKE	800	605
FED. ROAD DIST. NO.	ILLINOIS	FED. AID PROJECT-		

SHEET NO. 23  
37 SHEETS

STATE OF ILLINOIS  
DEPARTMENT OF TRANSPORTATION



SECTION THRU WALL FACING



Soldier Pile No.	Size	Station	Offset LT. (C/L Pile)	Top Pile Elevation	Bottom Pile Elevation	Pile Length (m)	Anchor Elevation	No. Studs Per Pile
1	W530x92	8+788.452	13.829	259.657	255.845	3.812	-	6
2	(2) W310x86	8+790.702	13.717	260.782	255.340	5.442	259.445	10
3	(2) W310x86	8+792.952	13.787	261.907	254.765	7.142	260.570	14
4	(2) W310x86	8+795.370	13.897	263.032	253.940	9.092	261.695	18
5	(2) W310x86	8+797.731	14.010	264.157	252.696	11.461	262.820	24
6	(2) W310x86	8+811.206	13.717	264.286	252.765	11.521	262.949	24
7	(2) W310x86	8+813.563	13.717	263.161	254.044	9.117	261.824	18
8	(2) W310x86	8+815.921	13.717	262.036	254.903	7.133	260.699	14
9	(2) W310x86	8+818.279	13.717	260.911	255.511	5.399	259.574	10
10	W530x92	8+820.638	13.829	259.786	256.051	3.734	-	6

**BILL OF MATERIAL**

Bar	No.	Size	Length (m)	Shape
h30(E)	17	#20	6.3	—
h31(E)	17	#15	6.22	—
h32(E)	17	#20	6.05	—
h33(E)	17	#15	5.98	—
h34(E)	4	#20	6.94	—
h35(E)	4	#15	6.87	—
h36(E)	14	#20	7.1	—
h37(E)	14	#15	6.96	—
h38(E)	14	#20	6.11	—
h39(E)	14	#15	6.11	—
v30(E)	64	#15	7.62	—
Concrete Structures	cu m		25.18	
Reinforcement Bars, Epoxy Coated	kg		2,690	
Structure Excavation	cu m		115.8	
Rustication Finish	sq m		63.6	
Pipe Underdrain for Structures 100mm	meter		27.4	
Geocomposite Wall Drain	sq m		81.3	
Drilling and Setting Soldier Piles	cu m		98.45	
Untreated Timber Lagging	sq m		87.4	
Stud Shear Connectors	Each		144	
Permanent Ground Anchors	Each		8	
Furnishing Soldier Piles (W Section)	meter		7.5	
Furnishing Soldier Piles (Built-up Section)	meter		67	
Pipe Handrail, Special	meter		25.7	

**NOTES:**

1. Work this Sheet with Sheets 19 through 22 and 24 through 26.
2. All dimensions are in millimeters (mm) except as noted.
3. All exposed edges of the cast in place Concrete Wall shall be chamfered 20 mm.
4. For Drainage Details see Sheet 22.
5. For Rustication Details see Sheet 21.
6. Min. Lap for bars #15 is 640 mm, #20 is 790 mm.
7. Bar Indicated thus 5x2-#20 cts. indicates 5 lines of bars with 2 lengths per line.
8. Reinforcement Bars designated (E) shall be Epoxy Coated.

**NORTH ABUTMENT WING WALLS DETAILS 1**

Date	Designed	EV	<b>ELGIN, JOLIET &amp; EASTERN RY. CO. BRIDGE OVER ILLINOIS ROUTE 22 F.A.P. ROUTE 337 SECTION (19R-D) LAKE COUNTY STATION 32+61L151 STRUCTURE NO. 049-0188</b>	Sheet No. <b>23</b> of 37
Revisions	Drawn	EV		
	Checked	NPP		
	Approved	NPP		
	Prepared By:	URS		