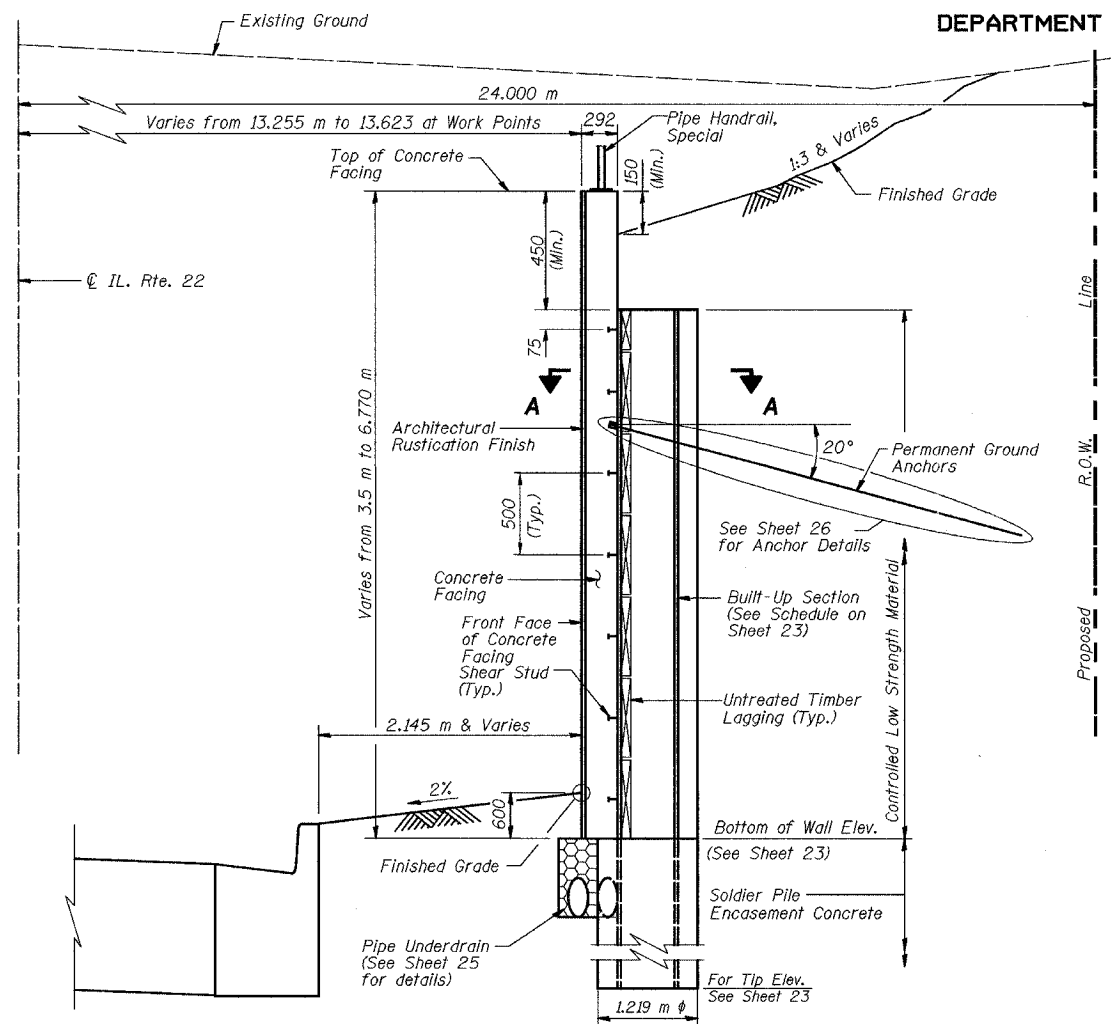


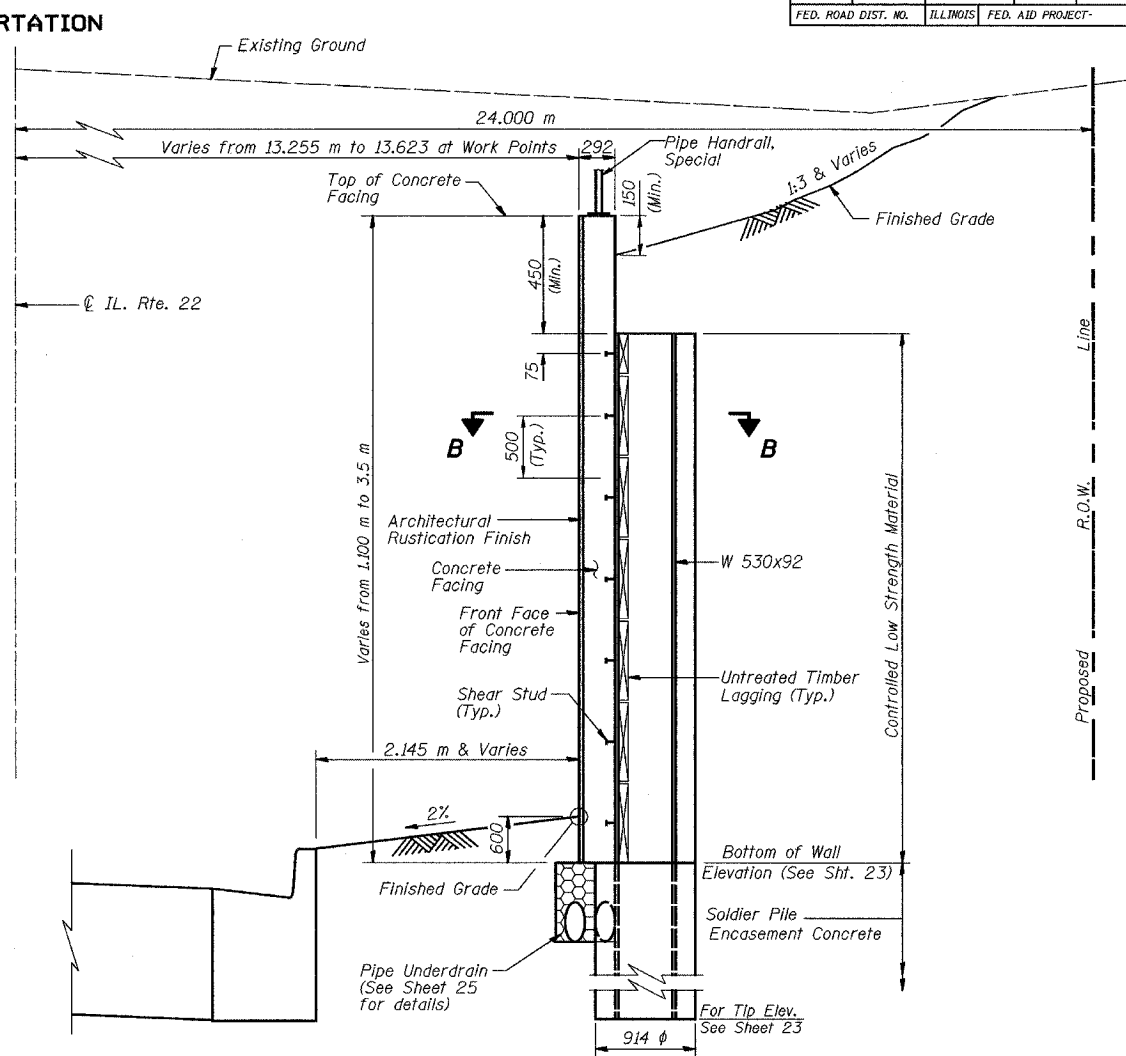
STATE OF ILLINOIS  
DEPARTMENT OF TRANSPORTATION  
DEPARTMENT OF TRANSPORTATION

ROUTE NO.	SECTION	COUNTY	TOTAL SHEETS	SHEET NO.
F.A.P. 337	19R-D	LAKE	900	606
FED. ROAD DIST. NO.	ILLINOIS	FED. AID PROJECT		

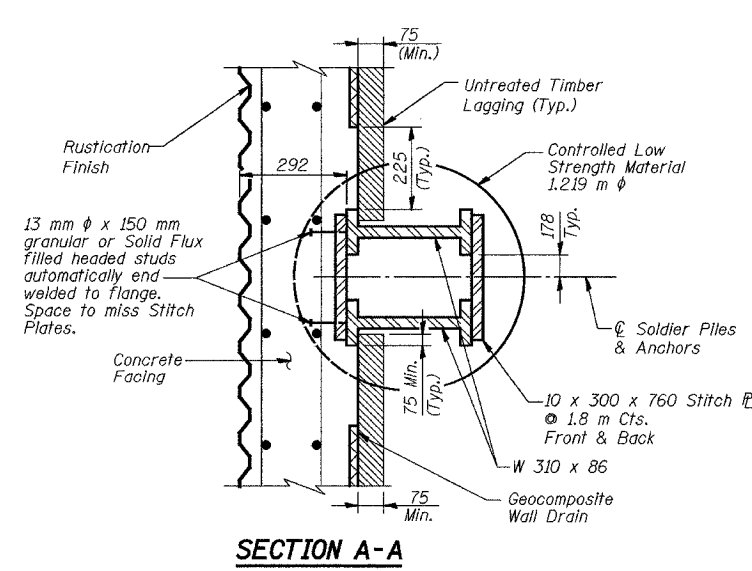
SHEET NO. 24  
37 SHEETS



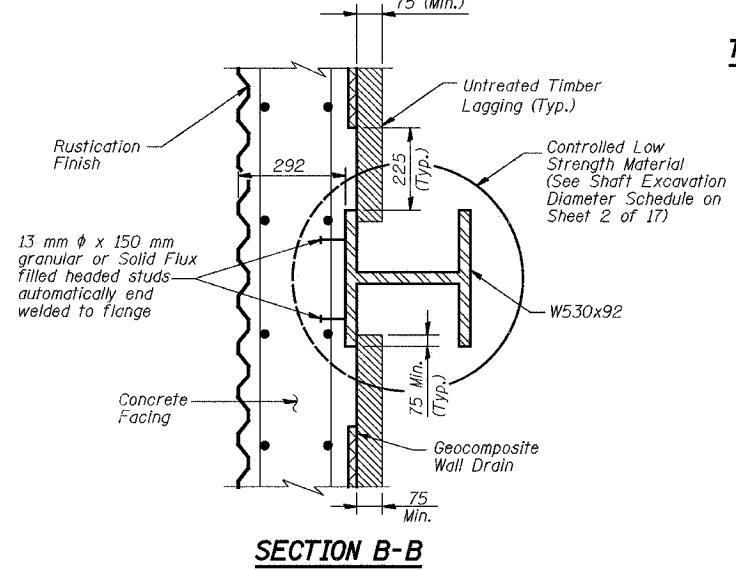
TYPICAL CROSS SECTION WITH PERMANENT GROUND ANCHORS



TYPICAL CROSS SECTION WITHOUT PERMANENT GROUND ANCHORS



SECTION A-A



SECTION B-B

- NOTES:**
1. Work this Sheet with Sheets 22, 23, 25 and 26.
  2. All dimensions are in millimeters (mm) except as noted.

NORTH ABUTMENT WING WALLS DETAILS 2				Sheet No.
Date	Designed	EV	<b>ELGIN, JOLIET &amp; EASTERN R.W. CO. BRIDGE OVER ILLINOIS ROUTE 22 F.A.P. ROUTE 337 SECTION (19R-D) LAKE COUNTY STATION 32+611.151 STRUCTURE NO. 049-0188</b>	<b>24</b> of 37
Revisions	Drawn	EV		
	Checked	NPP		
	Approved	NPP		
	Prepared By:	URS		