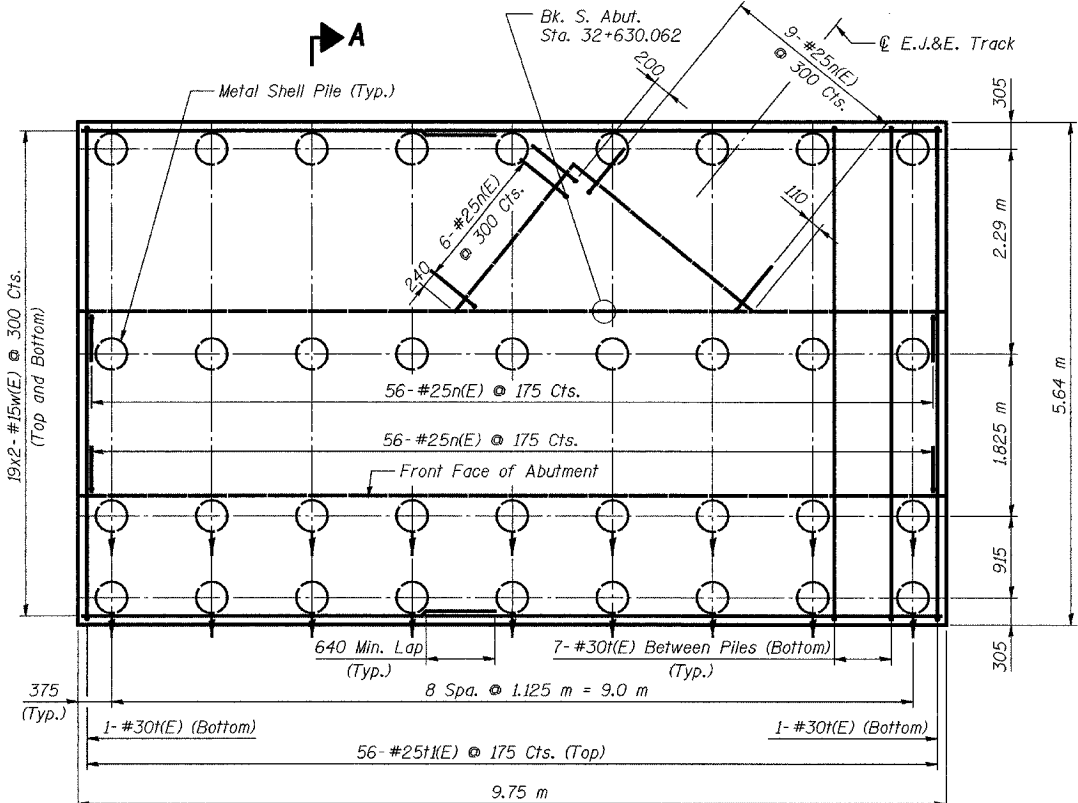


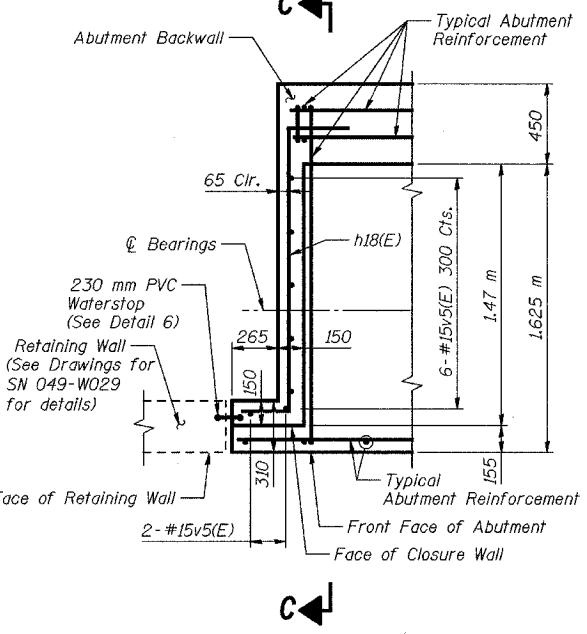
STATE OF ILLINOIS
DEPARTMENT OF TRANSPORTATION

ROUTE NO.	SECTION	COUNTY	TOTAL SHEETS	SHEET NO.
F.A.P. 337	(19R-D)	LAKE	800	610
FED. ROAD DIST. NO.	ILLINOIS	FED. AID PROJECT-		

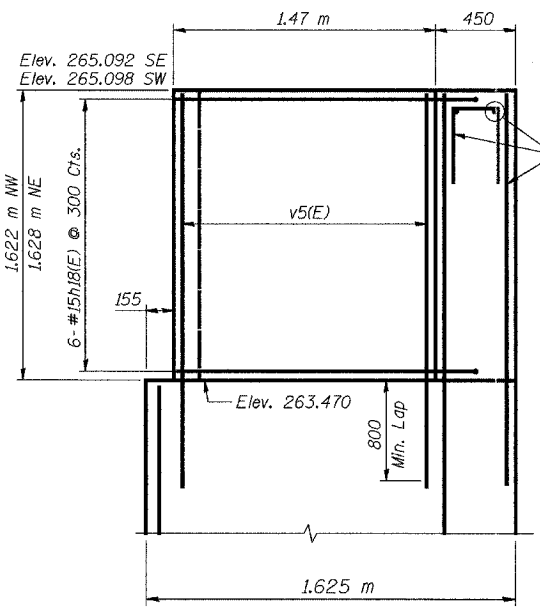
SHEET NO. 28
37 SHEETS



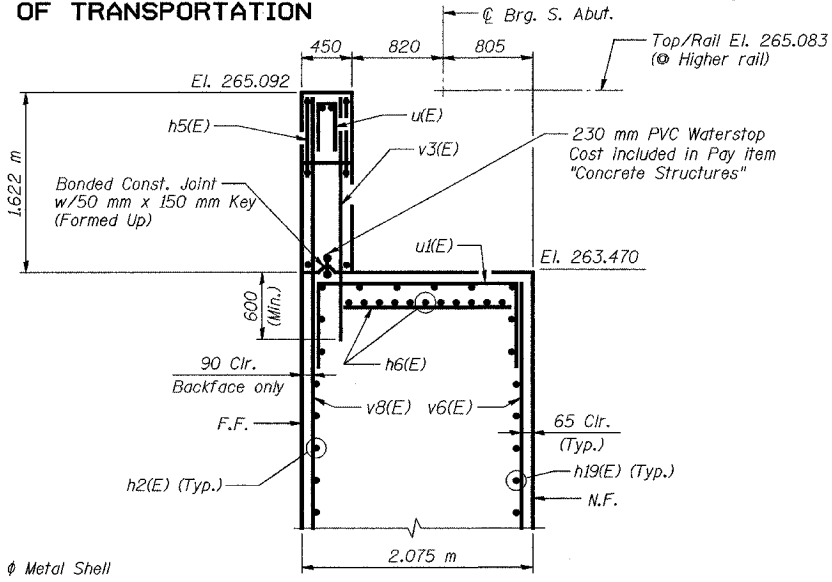
FOOTING PLAN



CLOSURE WALL PARTIAL PLAN



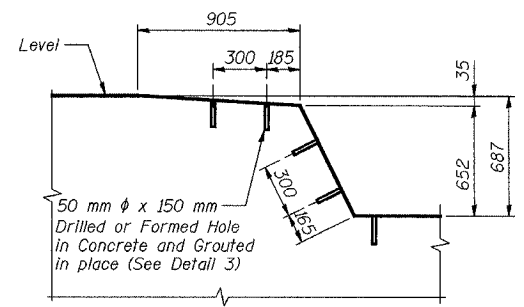
SECTION C-C



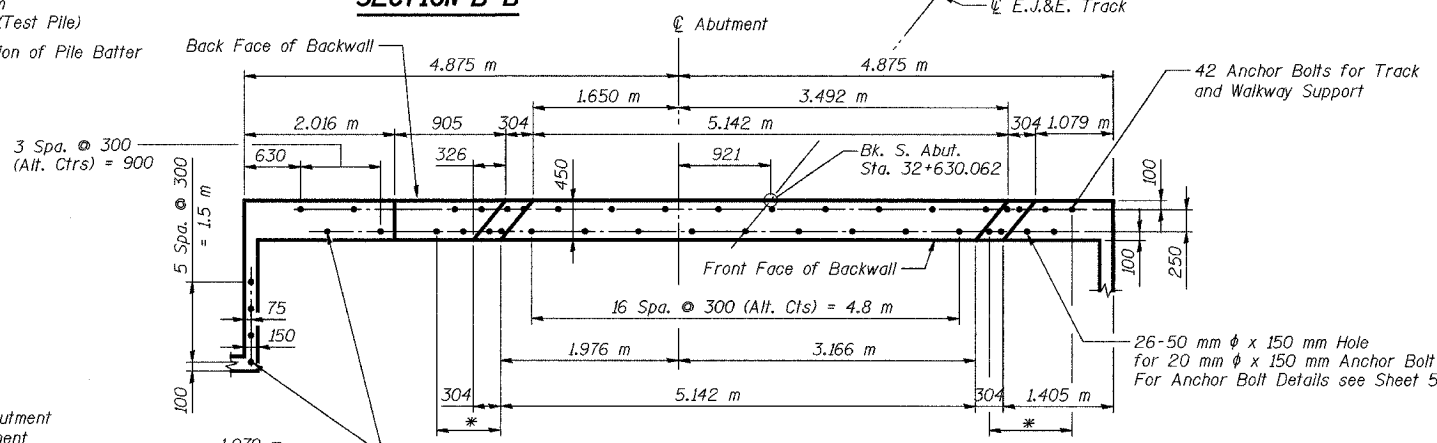
SECTION B-B

PILE DATA

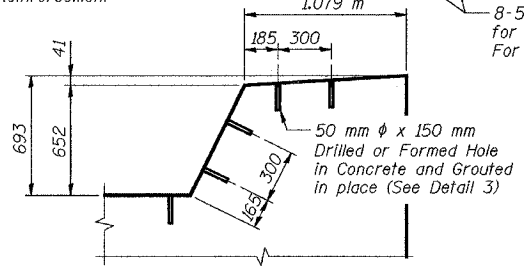
Type: 356 mm ϕ Metal Shell
Capacity: 500 kN
Est. Length: 14.2 m
No. Required: 35+1 (Test Pile)
Direction of Pile Batter



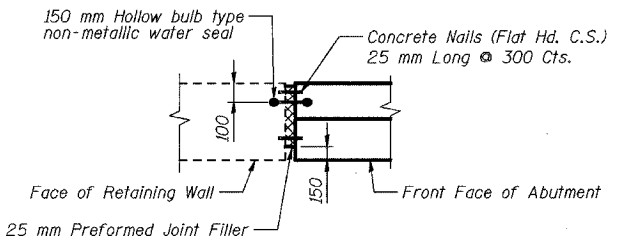
DETAIL 4
(at Back of Abutment)



DETAIL 3



DETAIL 5
(at Back of Abutment)



DETAIL 6

NOTES:

1. Work this Sheet with Sheets 27 and 29.
2. See Sheet 29 for Bill of Materials and Bar Details.
3. Reinforcement Bars designated (E) shall be Epoxy Coated
4. See Sheet 27 for Section A-A, location of Details 3, 4 and 5, and Section B-B.
5. See Sheet 27 for Closure Wall Location.
6. All dimensions are in millimeters (mm) except as noted.
7. Min. Lap for bars #15 is 640 mm.
8. Bar indicated thus 19x2-#15 etc. indicates 19 lines of bars with 2 lengths per line.

SOUTH ABUTMENT DETAILS 1

Date	Designed EV	ELGIN, JOLIET & EASTERN RY. CO. BRIDGE OVER ILLINOIS ROUTE 22 F.A.P. ROUTE 337 SECTION (19R-D) LAKE COUNTY STATION 32+61.151 STRUCTURE NO. 049-0188	Sheet No. 28 of 37
Revisions	Drawn EV		
	Checked NPP		
	Approved NPP		
	Prepared By: URS		