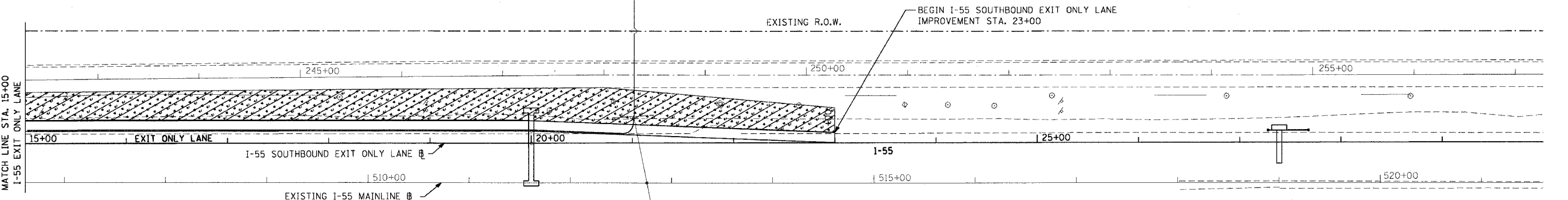
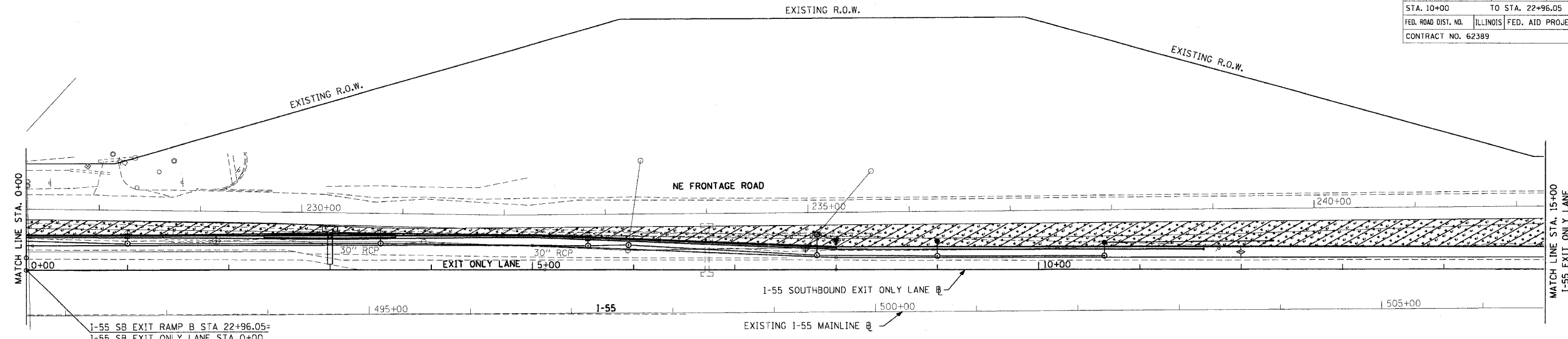


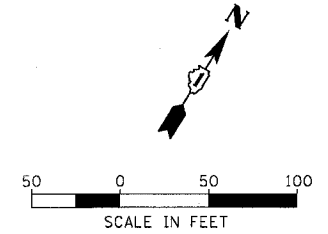
F.A.I. RTE.	SECTION	COUNTY	TOTAL SHEETS	SHEET NO.
55	2002-022 K	WILL	172	64
STA. 10+00		TO STA. 22+96.05		
FED. ROAD DIST. NO.		ILLINOIS	FED. AID PROJECT	
CONTRACT NO. 62389				

PLAN	DATE
SURVEYED	BY
PLOTTED	BY
CHECKED	BY
REVISIONS	BY
NO. OF ANY CHECKED	
CAD FILE NAME	
NO.	

PROFILE	DATE
SURVEYED	BY
PLOTTED	BY
CHECKED	BY
REVISIONS	BY
NO. OF ANY CHECKED	
STRUCTURE NOTATIONS OK'D	
NO.	



- LEGEND:**
- TEMPORARY DITCH CHECK
 - TEMPORARY EROSION CONTROL SEEDING
SODDING SALT TOLERANT
 - PERIMETER EROSION BARRIER -
SILT FILTER FENCE OR OTHER
AS APPROVED BY THE ENGINEER
 - INLET AND PIPE PROTECTION
 - TEMPORARY FENCE TO
PROTECT EXISTING LANDSCAPING
 - SELECTIVE MOWING STAKES
 - SEEDING CLASS 2A EROSION
CONTROL BLANKET



REVISIONS	
NAME	DATE

ILLINOIS DEPARTMENT OF TRANSPORTATION

LANDSCAPING AND EROSION CONTROL PLAN

I-55 EXIT ONLY LANE

STA 0+00 TO STA 23+00

SCALE: 1"=50'

DATE: 11/8/2004

DRAWN BY: CC

CHECKED BY: RI

DMJM HARRIS

303 East Wacker Drive, Suite 600
Chicago, Illinois, 60601 Phone: 312.321.6101 Fax: 312.396.2392