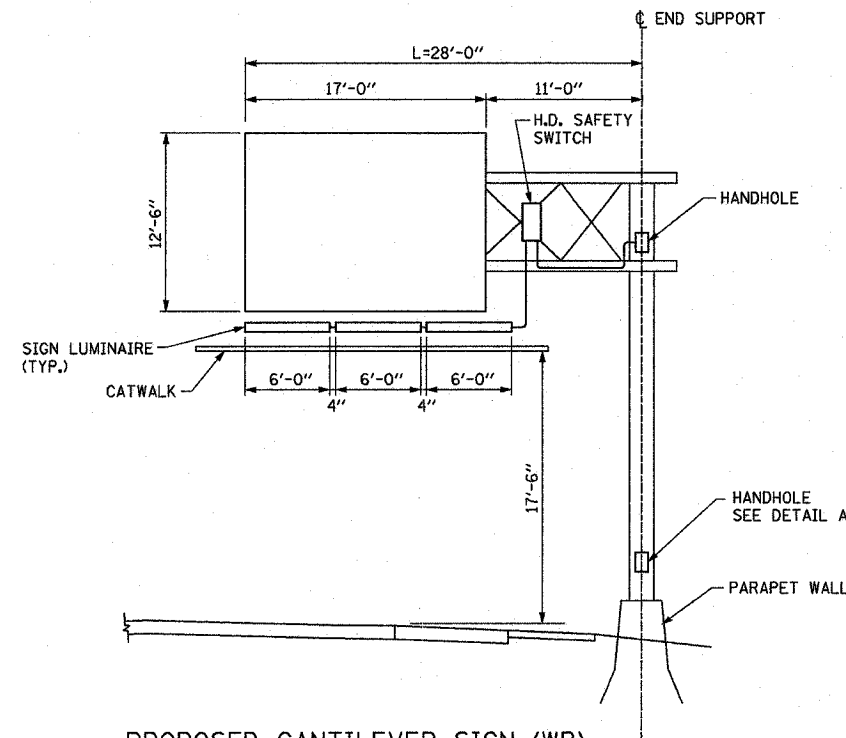
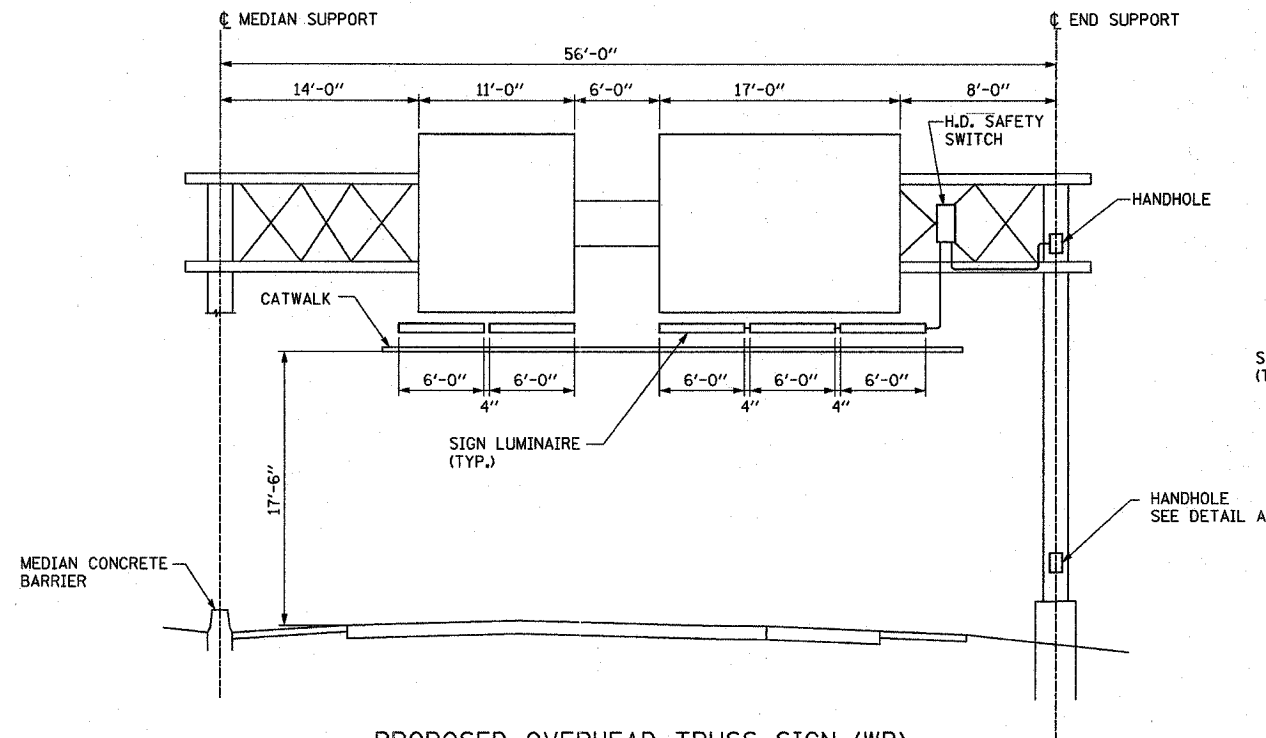


F.A.I. RTE.	SECTION	COUNTY	TOTAL SHEETS	SHEET NO.
55	2002-022 K	WILL	172	21
STA.	TO STA.			
FED. ROAD DIST. NO.	ILLINOIS	FED. AID PROJECT		
CONTRACT # 62389				

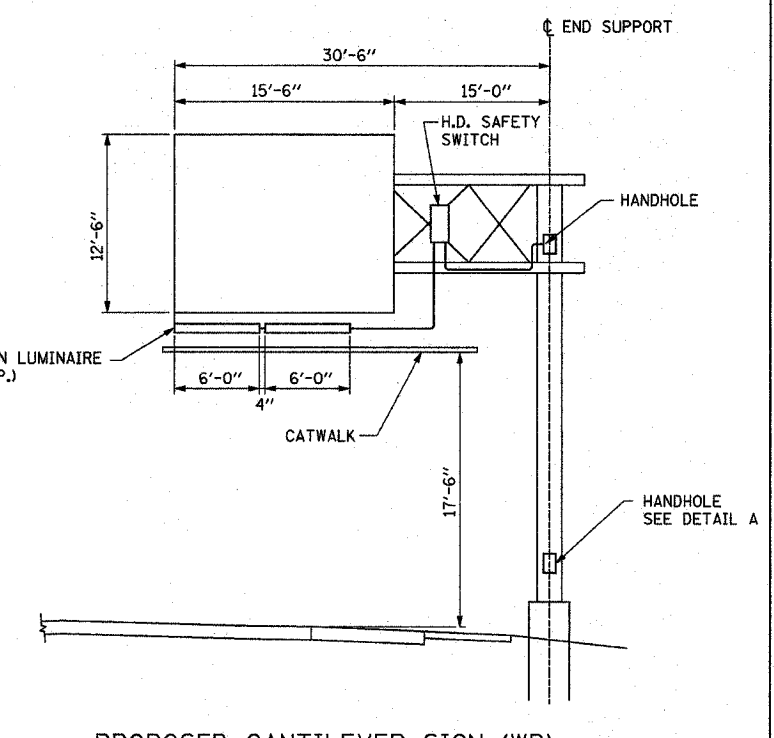
PLAN	SURVEYED	DATE
NOTE BOOK	ALIGNED	
NO.	BY	
	CHECKED	
	BY	
	DATE	



PROPOSED CANTILEVER SIGN (WB)
STA. 494+62 I-55
 (LOOKING WEST)
 NOT TO SCALE

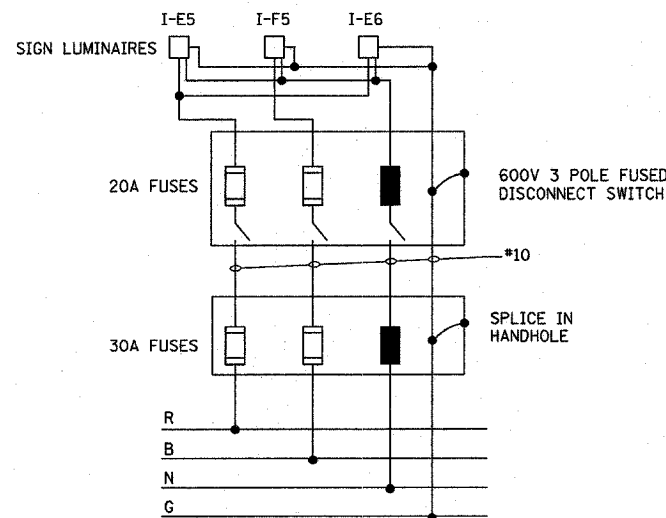


PROPOSED OVERHEAD TRUSS SIGN (WB)
STA. 511+50 I-55
 (LOOKING WEST)
 NOT TO SCALE

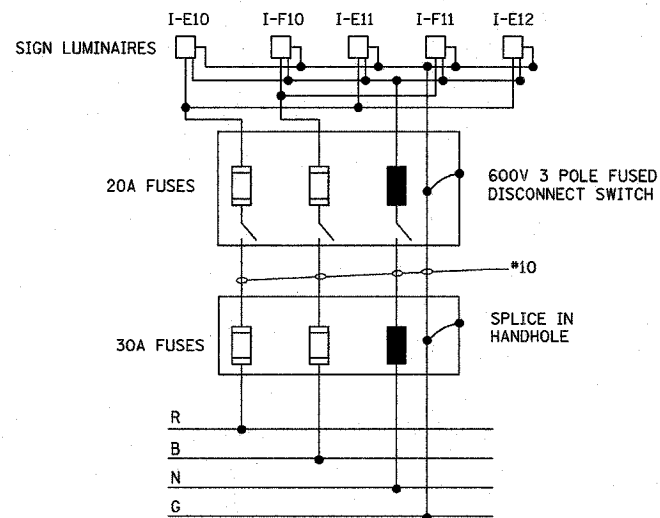


PROPOSED CANTILEVER SIGN (WB)
STA. 519+00 I-55
 (LOOKING WEST)
 NOT TO SCALE

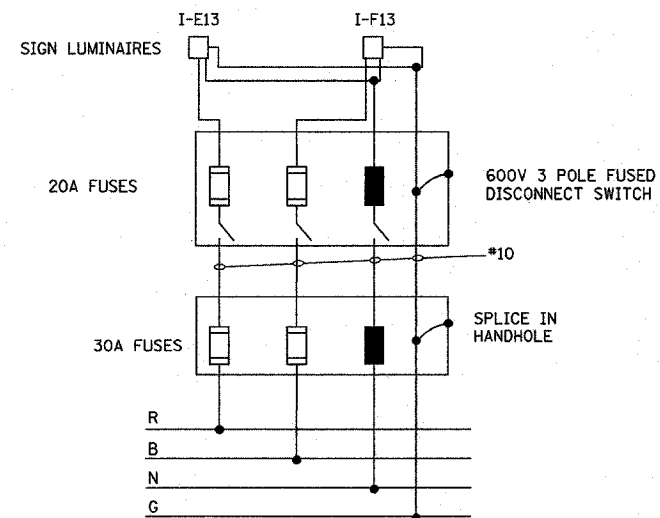
PROFILE	SURVEYED	DATE
NOTE BOOK	ALIGNED	
NO.	BY	
	CHECKED	
	BY	
	DATE	



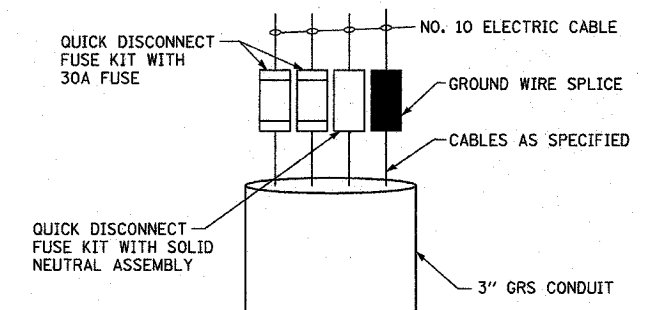
ELECTRIC CONNECTION TO SIGN STRUCTURE AT STA. 496+00
 NOT TO SCALE



ELECTRIC CONNECTION TO SIGN STRUCTURE AT STA. 511+50
 NOT TO SCALE



ELECTRIC CONNECTION TO SIGN STRUCTURE AT STA. 519+00
 NOT TO SCALE



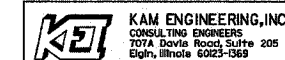
DETAIL A
 NOT TO SCALE

NOTES:

- FOR SIGN PANEL MOUNTING LOCATIONS AND DETAILS, SEE SIGNING (SIG) SHEETS.
- SIGN PANEL LOCATIONS AND DIMENSIONS SHOWN ON THIS DRAWING ARE FOR INFORMATION ONLY, BASED UPON THE SIGNING (SIG) DRAWINGS, AND ARE NOT TO BE USED FOR CONSTRUCTION WORK.

LEGEND

— 2-F72T12/CW/HO FLUORSCENT LAMPS



REVISIONS	
NAME	DATE

ILLINOIS DEPARTMENT OF TRANSPORTATION

SIGN LIGHTING DETAILS

SCALE: NONE
 DATE: OCTOBER 25, 2004

DRAWN BY: SM
 DESIGNED BY: SM
 CHECKED BY: SM