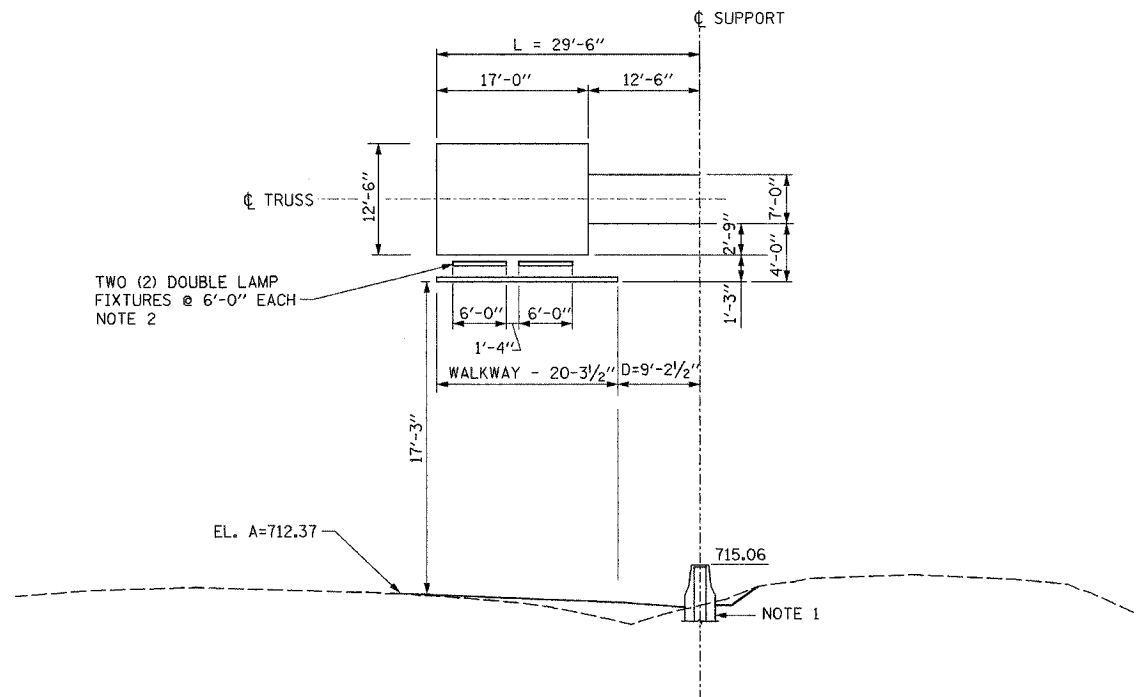


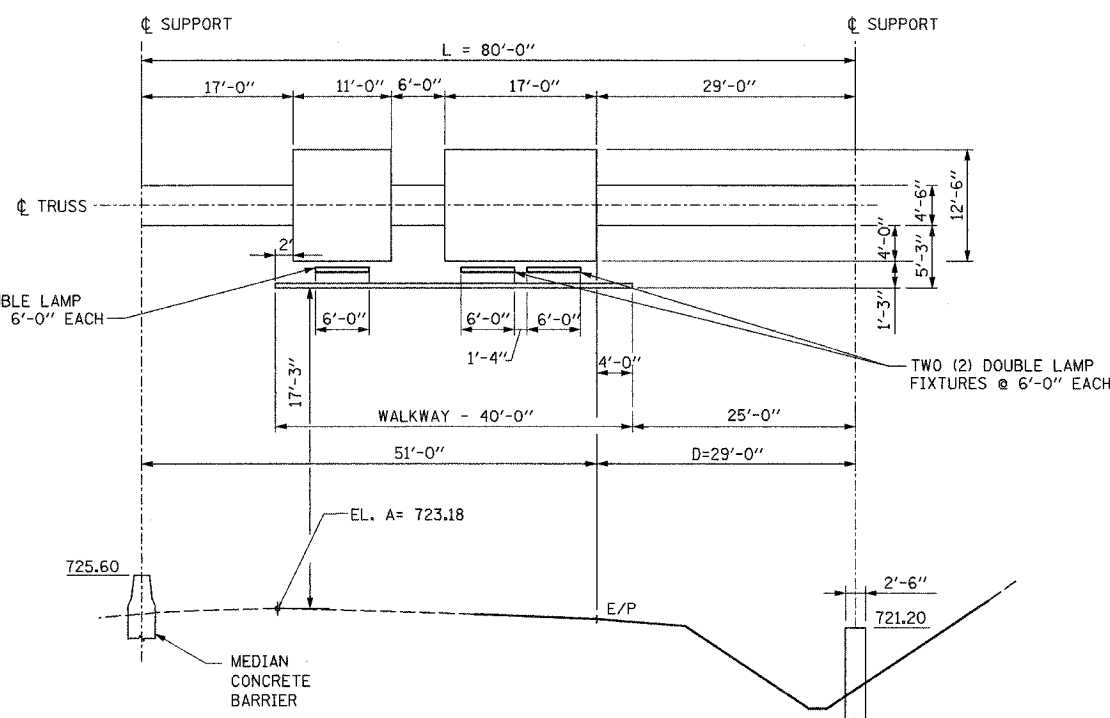
F.A.I. RTE.	SECTION	COUNTY	TOTAL SHEETS	SHEET NO.
55	2002-022 K	WILL	172	107
STA. 10+00		TO STA. 22+96.05		
FED. ROAD DIST. NO.		ILLINOIS FED. AID PROJECT		
CONTRACT # 62389				

PLAN	BY	DATE
REVISIONS		
NO.		
DESCRIPTION		
DATE		

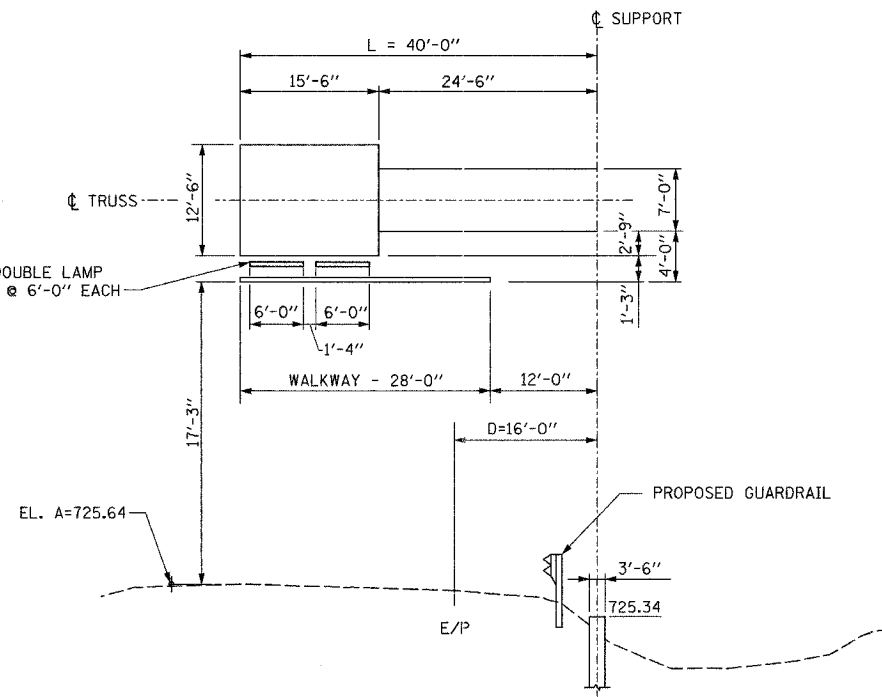
PROFILE	BY	DATE
REVISIONS		
NO.		
DESCRIPTION		
DATE		



1C0991055L267.7
STA. 3+00 (AUXILIARY LANE)
& STA. 494+61.3 (I-55 MAIN LINE)
LOOKING WEST



1S0991055L268.0
STA. 20+00 (AUXILIARY LANE)
& STA. 511+61.2 (I-55 MAIN LINE)
LOOKING WEST



1C0991055L268.1
STA. 27+38.7 (AUXILIARY LANE)
& STA. 519+00 (I-55 MAIN LINE)
LOOKING WEST

- NOTES:**
- FOR BARRIER WALL TRANSITION AT CANTILEVER SIGN FOUNDATION, SEE ROADWAY PLANS.
 - FOR ELECTRICAL CONNECTIONS, LUMINAIRE DETAILS AND QUANTITIES FOR SIGN STRUCTURES, SEE ROADWAY LIGHTING PLANS.

REVISIONS	
NAME	DATE

ILLINOIS DEPARTMENT OF TRANSPORTATION
I-55 (STEVENSON EXPRESSWAY) AT ILL. RTE. 53
SIGN PANEL AND LIGHT PLACEMENT

SCALE: NONE
DATE: DECEMBER, 2004
DRAWN BY: OR
DESIGNED BY: SL
CHECKED BY: SL

SGN-6

2-10-05