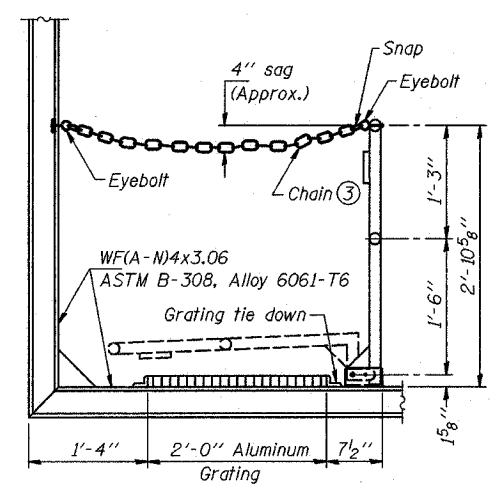


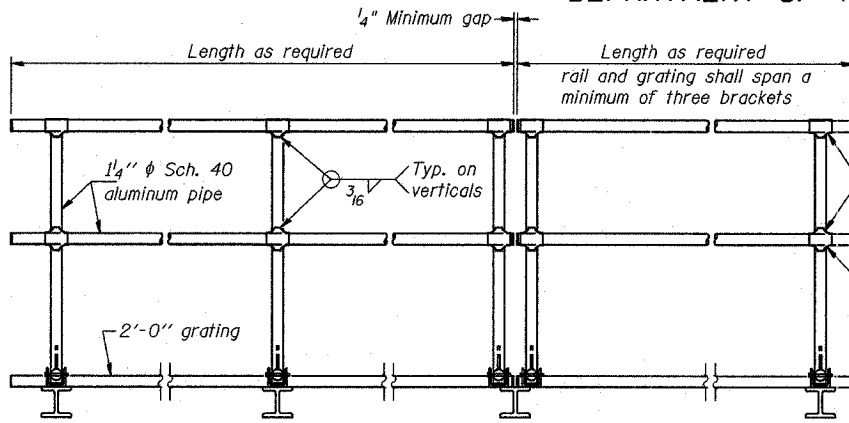
STATE OF ILLINOIS  
DEPARTMENT OF TRANSPORTATION

ROUTE NO.	SECTION	COUNTY	LEAVE SHEETS	SHEET NO.
55	2002-022 K	WILL	172	126
FED. ROAD DIST. NO. 1		ILLINOIS	FED. AID PROJECT-	



**SIDE ELEVATION**

(Showing Safety Chain W/O Sign)

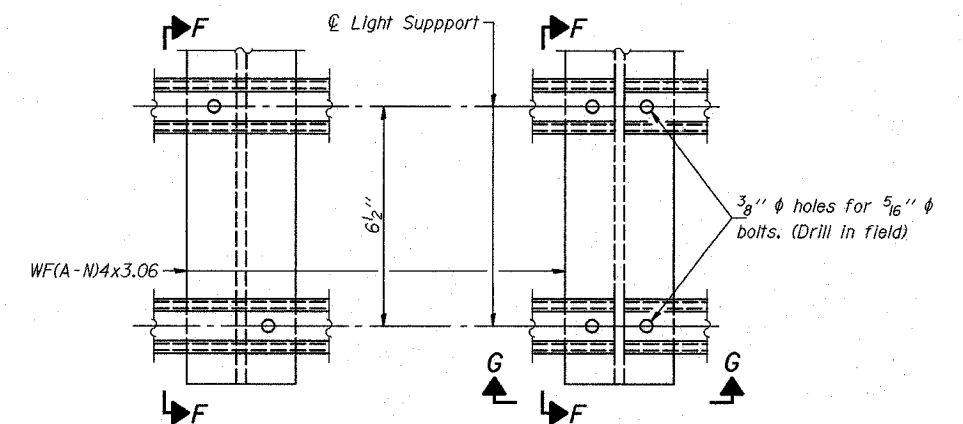


**FRONT ELEVATION**

**HANDRAIL DETAILS**

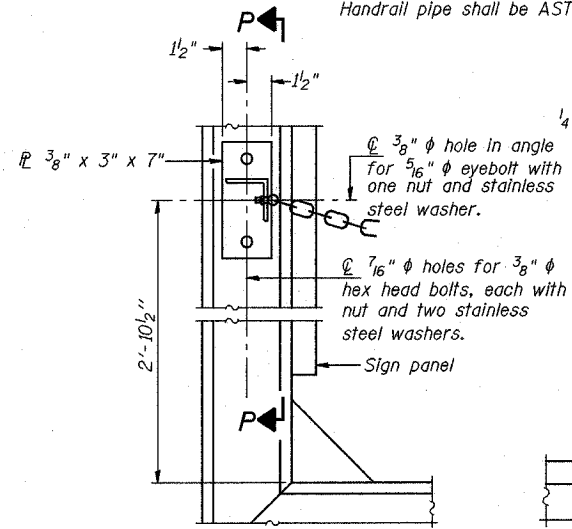
Handrail pipe shall be ASTM B241, Alloy 6063-T6 or Alloy 6061-T6.

- ① Install standard force-fit end caps or weld 1/8" end plates with 1/8" c.f.w. and grind smooth. (All rail ends)
- ② Horizontal handrail member shall be continuous thru fitting. Provide 7/16" hole in fitting for 3/8" bolt. Field drill 7/16" hole in horizontal rail member. Provide locknut and two stainless steel washers for bolt. (Use 5/16" eyebolts in 7/16" holes on top rail at ends only.)



**DETAIL F**

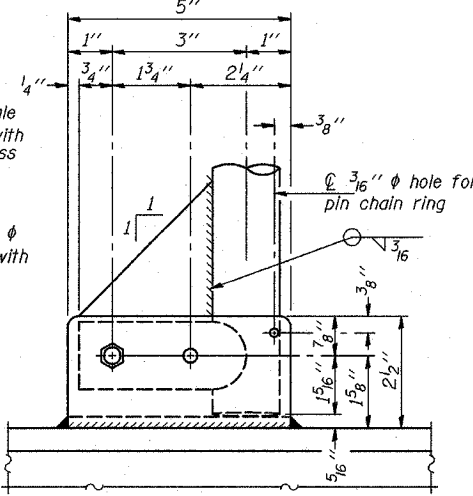
**DETAIL G**



**ALTERNATE SAFETY CHAIN ATTACHMENT**

(With Sign Present)

Items not shown same as "Side Elevation" of "Handrail Details"



**SIDE ELEVATION**

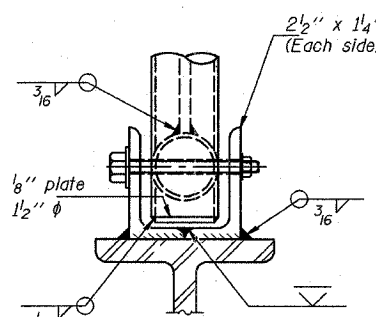
**DETAIL E HANDRAIL HINGE**

Drill and ream for 3/8" bolt with two hexagon locknuts and two stainless steel washers.

1/4" ring-grip quick release self-locking stainless steel pin

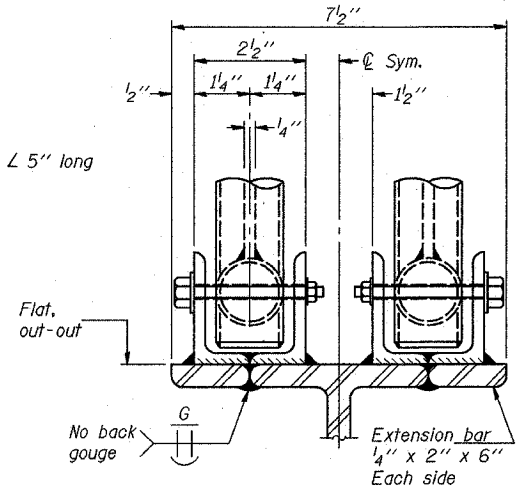
1 1/4" Sch. 40 aluminum pipe

1/16" stainless steel chain, 6" long, with 1/16" stainless steel ring each end



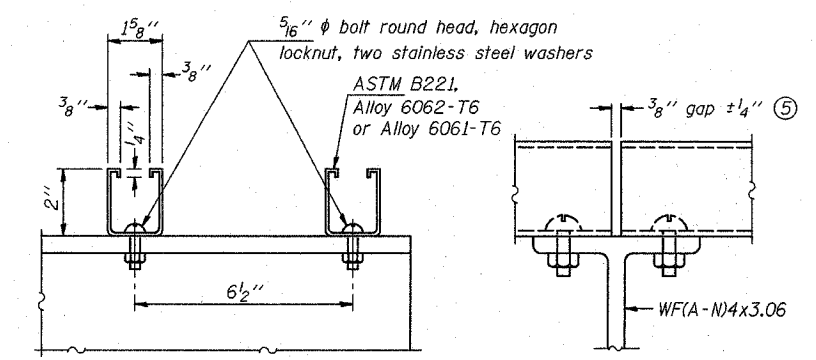
**FRONT ELEVATION**

Details not shown same as "ELEVATION" at right.



**ELEVATION AT HANDRAIL JOINT** ④

Details not shown same as "FRONT ELEVATION"

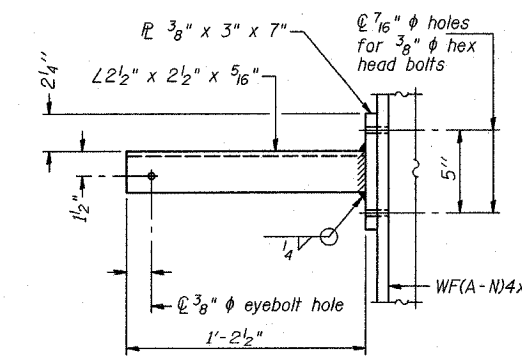


**SECTION F-F**

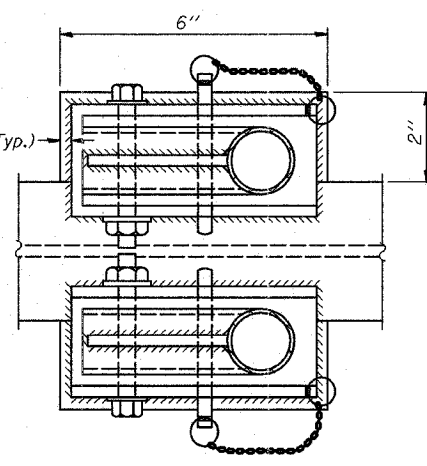
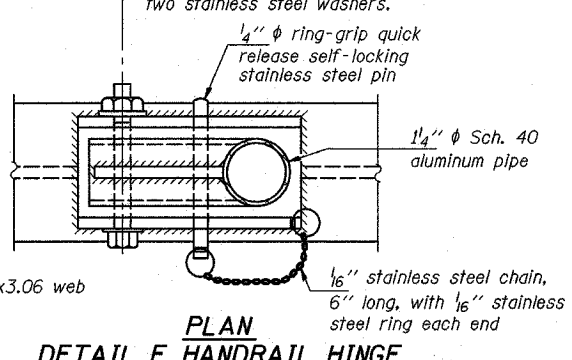
**SECTION G-G**

**LIGHTING FIXTURE MOUNTS (IF REQUIRED)**

- ⑤ Field cut ends of light support channels shall be free of burrs or hazardous projections and coated with zinc-rich primer or equivalent.

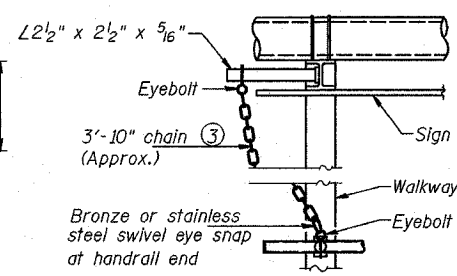


**SECTION P-P**



**PLAN AT HANDRAIL JOINT**

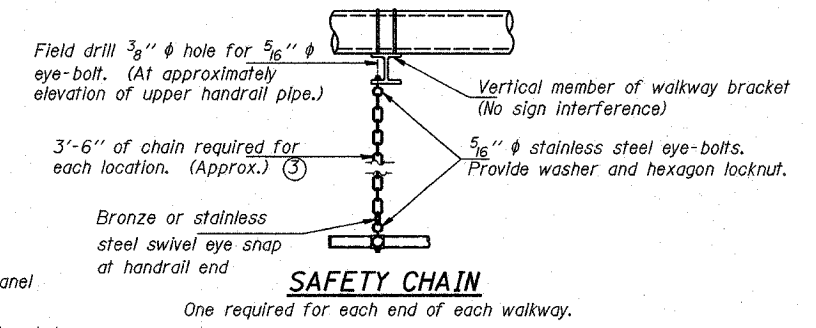
Details not shown same as "PLAN"



**ALTERNATE SAFETY CHAIN ATTACHMENT**

Details not shown similar to "Safety Chain" Details (Walkway omitted for clarity)

- ③ 3/16" galvanized steel chain, approximately 12 links per foot. Chain to be hot dip galvanized after manufacture and suitable for prolonged exterior exposure. Alternate materials may be substituted with the Engineer's approval.
- ④ Extrusions may be used in lieu of the details shown, with approval of the Engineer.



SGN-25

**CANTILEVER SIGN STRUCTURES  
HANDRAIL DETAILS  
ALUMINUM TRUSS & STEEL POST**

ILLINOIS DEPARTMENT OF TRANSPORTATION  
I-55 (STEVENS EXPY.) AT ILL. RTE. 53

OVERHEAD SIGN STRUCTURES CANTILEVER

DESIGNED	SL	EXAMINED	20
CHECKED	AS	PASSED	
DRAWN	MD		
CHECKED	SL		

NUMBER	REVISION	DATE