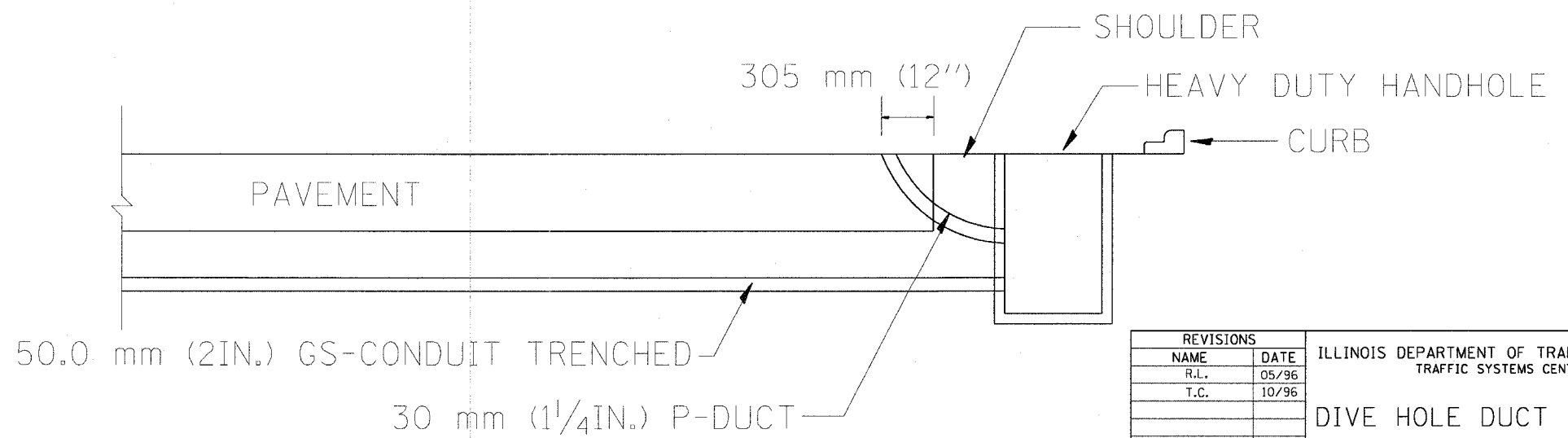
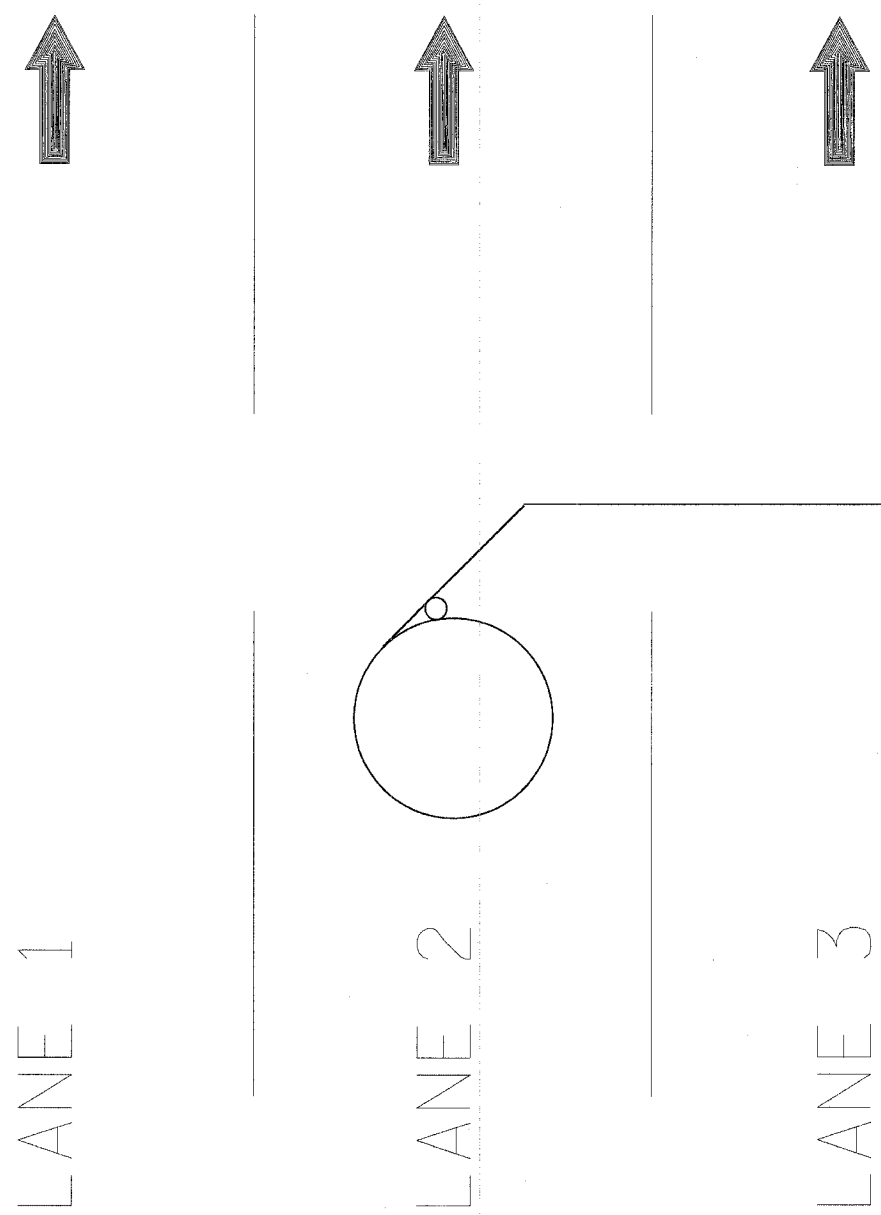


F.A. RTE.	SECTION	COUNTY	TOTAL SHEETS	SHEET NO.
55	2002-022 K	WILL	172	140
STA. 10+00		TO STA. 22+96.05		
FED. ROAD DIST. NO.	ILLINOIS	FED. AID PROJECT		
CONTRACT NO. 62389				



REVISIONS	
NAME	DATE
R.L.	05/96
T.C.	10/96

ILLINOIS DEPARTMENT OF TRANSPORTATION  
TRAFFIC SYSTEMS CENTER

DIVE HOLE DUCT SYSTEM

SCALE: VERT. NONE  
HORIZ. NONE

DATE 11/7/95

DRAWN BY G.M.  
CHECKED BY R.L.

RD-TYPMET.DGN  
RF=

VI-418B