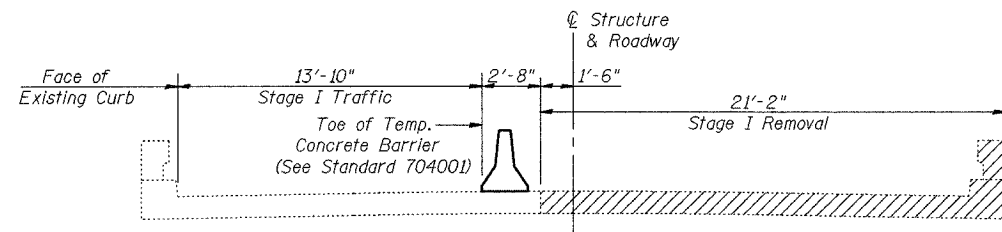


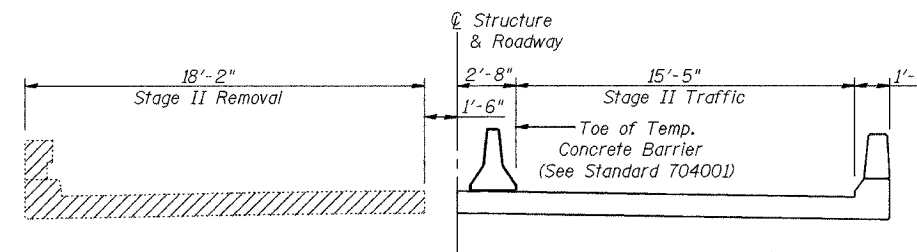
F.A.I.	SECTION	COUNTY	TOTAL SHEETS	SHEET NO.
55	27 BR	WILL		10A.
FED. ROAD DIST. NO. 7	ILLINOIS	FED. AID PROJECT-		

SHEET NO.  
2 of 8

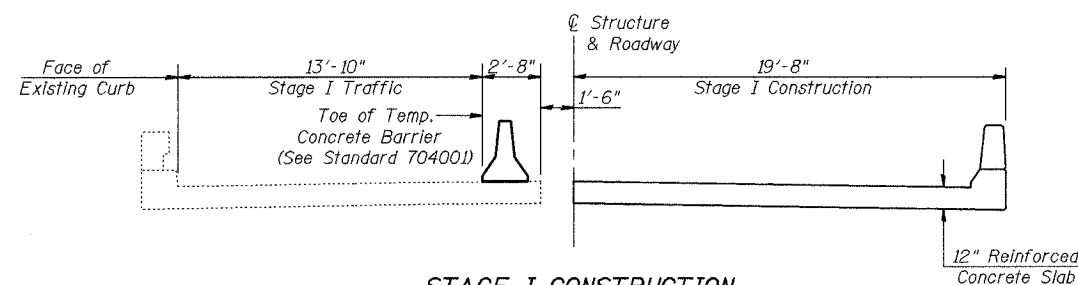
Contract No.: 62424



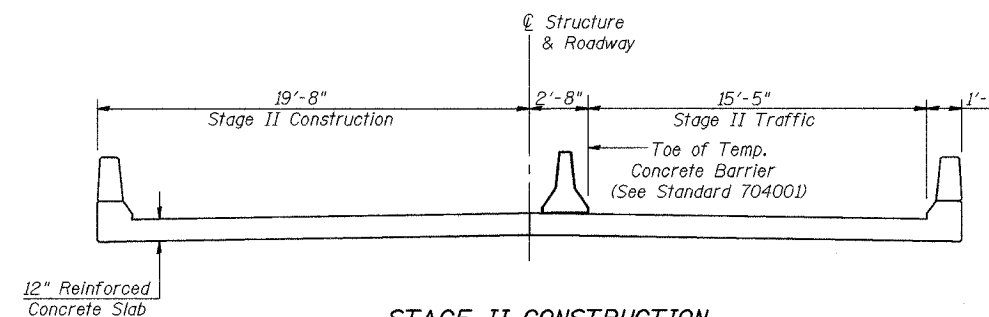
**STAGE I REMOVAL**



**STAGE II REMOVAL**

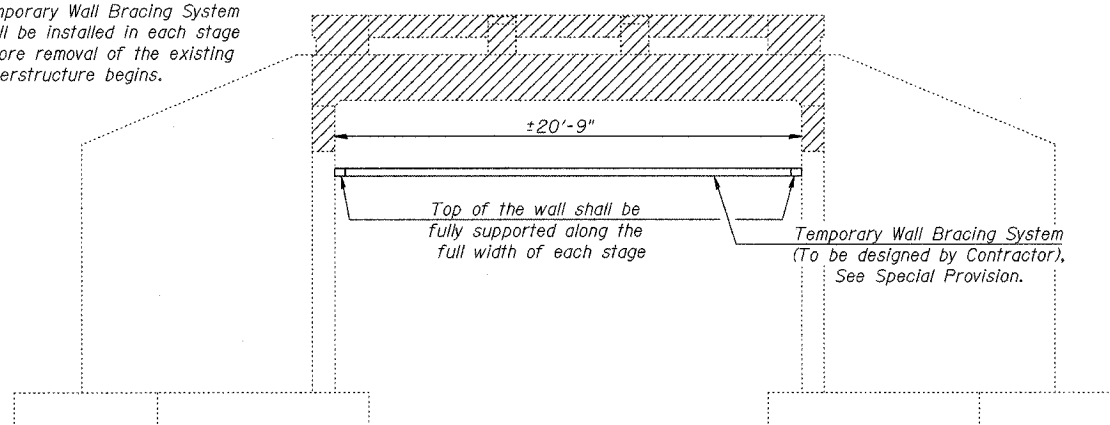


**STAGE I CONSTRUCTION**



**STAGE II CONSTRUCTION**

NOTE:  
Temporary Wall Bracing System shall be installed in each stage before removal of the existing superstructure begins.



**TEMPORARY WALL BRACING SYSTEM AND EXISTING SUPERSTRUCTURE REMOVAL**

**NOTES**

Sections are looking north.  
Removal of bituminous wearing surface and existing concrete bridge rail included with "Removal of Existing Superstructures".  
Hatched area indicates "Removal of Existing Superstructures".  
Pay Item for "Temporary Concrete Barrier" is included with Roadway Plans.  
See sheet 8 of 8 for Temporary Concrete Barrier Details.  
Removal of the existing superstructure may create an unstable condition for the abutments. The Contractor shall install the Temporary Wall Bracing System in each stage prior to superstructure removal.

**SEQUENCE OF STAGE REMOVAL AND CONSTRUCTION OF TEMPORARY WALL BRACING SYSTEM**

1. Install Temporary Wall Bracing System for Stage I Construction.
2. Remove Stage I Superstructure.
3. Proceed with Stage I Construction.
4. Remove and Reinstall Temporary Wall Bracing System for Stage II Construction.
5. Remove Stage II Superstructure.
6. Proceed with Stage II Construction.
7. Remove Temporary Wall Bracing System when Stage II Construction is complete.

**BILL OF MATERIAL**

ITEM	UNIT	QUANTITY
Temporary Wall Bracing System	L. Sum	1
Removal of Existing Superstructures	Each	1



REVISIONS	
NAME	DATE

ILLINOIS DEPARTMENT OF TRANSPORTATION  
STAGE CONSTRUCTION DETAILS  
FAI RTE. 55 (EAST FRONTAGE ROAD)  
OVER SUNNYLAND DRAIN  
SECTION 27 BR  
WILL COUNTY  
STATION 105+12.13  
STRUCTURE NO. 099-0032  
DATE: 11/10/04  
DRAWN BY WJV  
CHECKED BY BLB