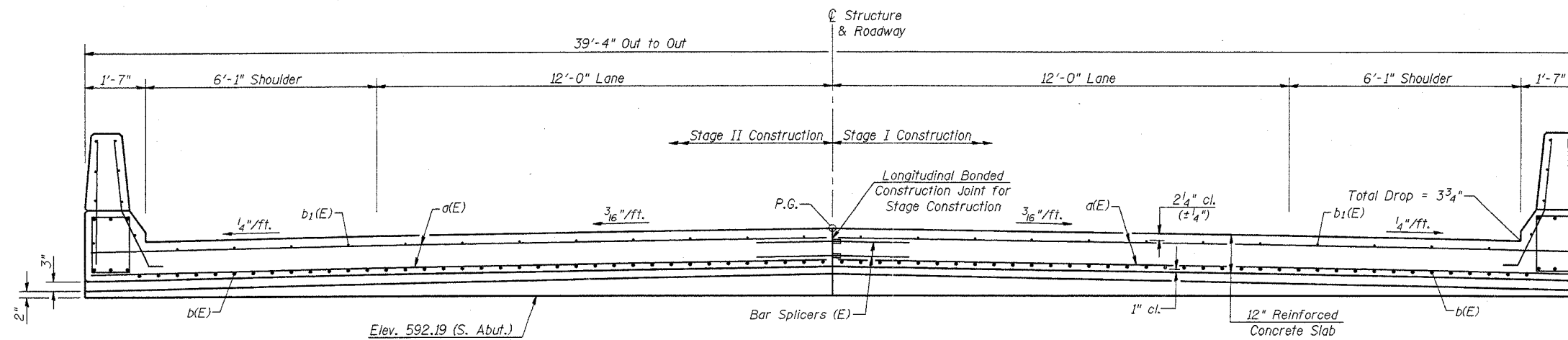


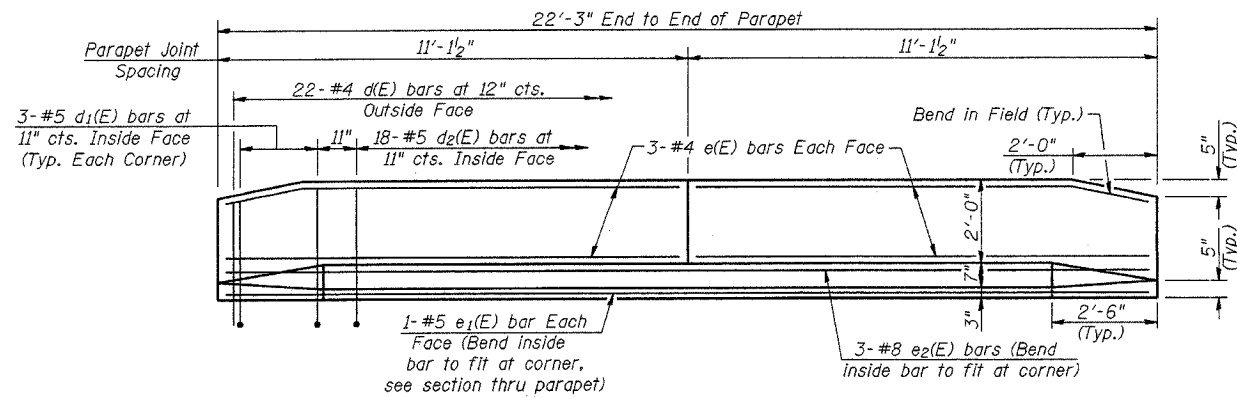
F.A.I.	SECTION	COUNTY	TOTAL SHEETS	SHEET NO.
55	27 BR	WILL	29	12
FED. ROAD DIST. NO. 7		ILLINOIS	FED. AID PROJECT	

SHEET NO.
4 of 8

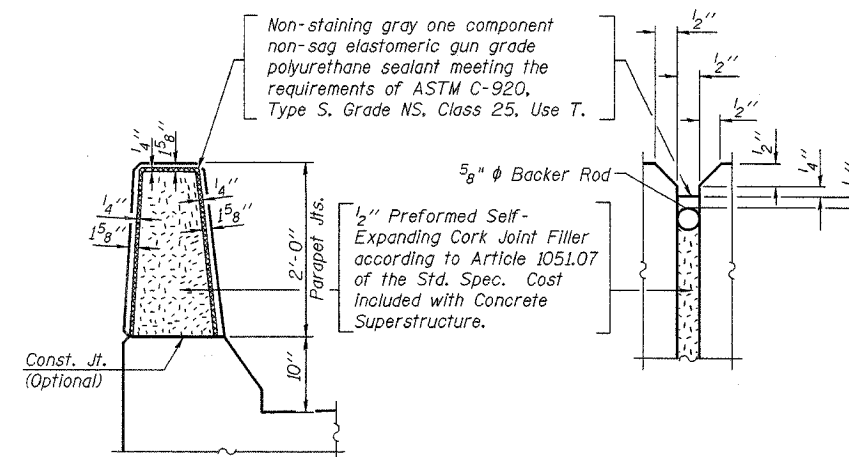
Contract No.: 62424



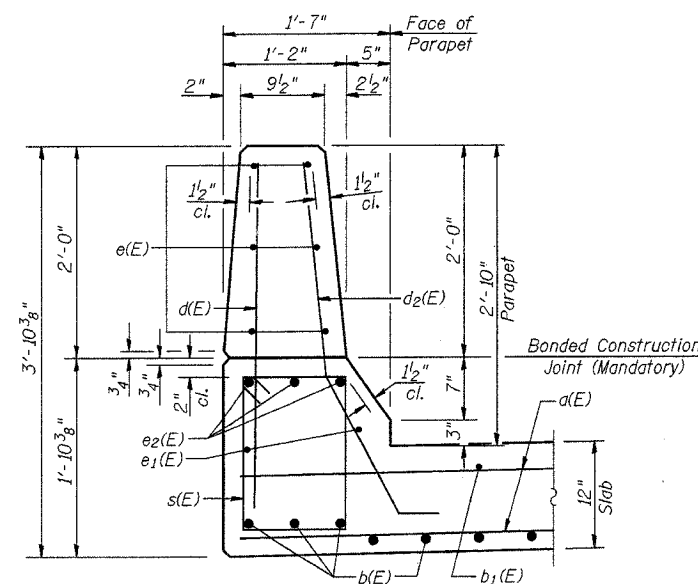
CROSS SECTION
(Looking North)



INSIDE ELEVATION OF PARAPET



PARAPET JOINT DETAILS



SECTION THRU PARAPET

NOTES

- See Sheet 3 of 8 for reinforcement details and Bill of Material.
- Reinforcement bars designated (E) shall be epoxy coated.
- Work this sheet with sheet 3 of 8.
- See Sheet 7 of 8 for Bar Splicer details.
- Place 1/2" preformed joint filler between deck slab and existing abutment concrete.
- Cost included with Concrete Structures.



REVISIONS	
NAME	DATE

ILLINOIS DEPARTMENT OF TRANSPORTATION
 SUPERSTRUCTURE DETAILS
 FAI RTE. 55 (EAST FRONTAGE ROAD)
 OVER SUNNYLAND DRAIN
 SECTION 27 BR
 WILL COUNTY
 STATION 105+12.13
 STRUCTURE NO. 099-0032
 DATE: 11/10/04
 DRAWN BY WJV
 CHECKED BY BLB