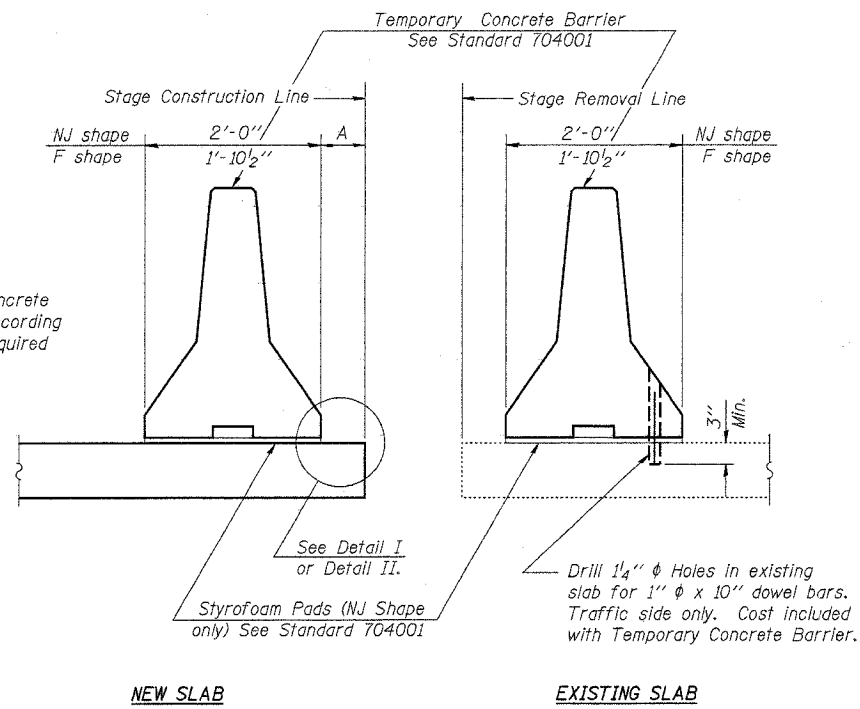


F.A.I.	SECTION	COUNTY	STATION	SHEET
55	27 BR	WILL	29	16
FED. ROAD DIST. NO. 7	ILLINOIS	FED. AID PROJECT		

SHEET NO.
8 of 8

Contract No.: 62424

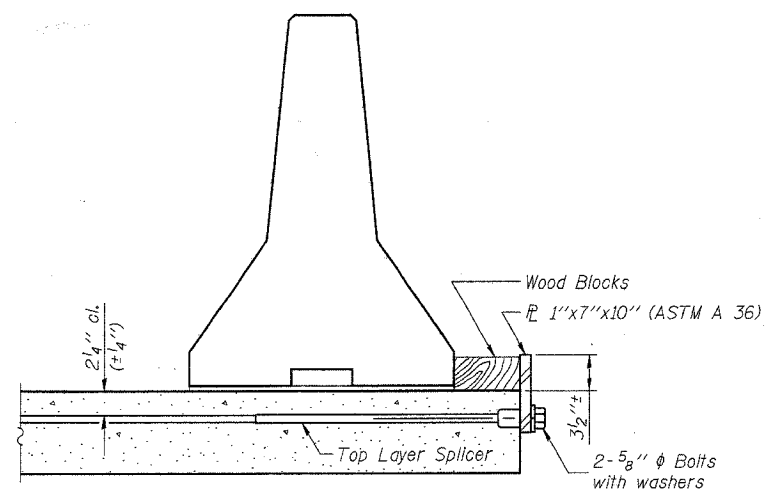


When "A" is 3'-6" or less, the temporary concrete barrier shall be anchored to the new slab according to Detail I or Detail II. No anchorage is required when "A" is greater than 3'-6".

SECTIONS THRU SLAB

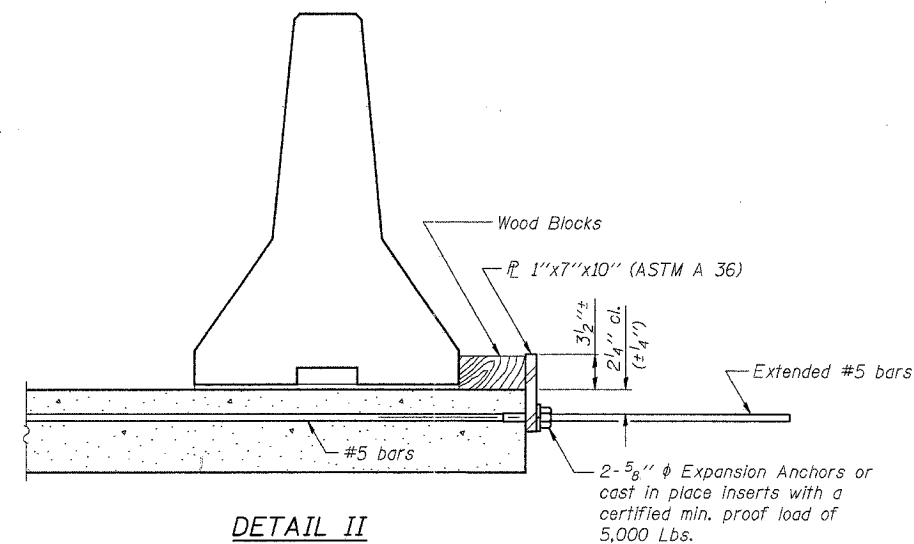
NOTES

- Detail I - With Bar Splicer or Couplers:**
Connect one (1) 1"x7"x10" steel \bar{P} to the top layer of couplers with 2-5/8" ϕ bolts screwed to coupler at approximate \bar{C} of each barrier panel.
- Detail II - With Extended Reinforcement Bars:**
Connect one (1) 1"x7"x10" steel \bar{P} to the concrete slab with 2-5/8" ϕ Expansion Anchors or cast in place inserts spaced between the top layer of reinforcement at approximate \bar{C} of each barrier panel.
- Cost of anchorage is included with Temporary Concrete Barrier.



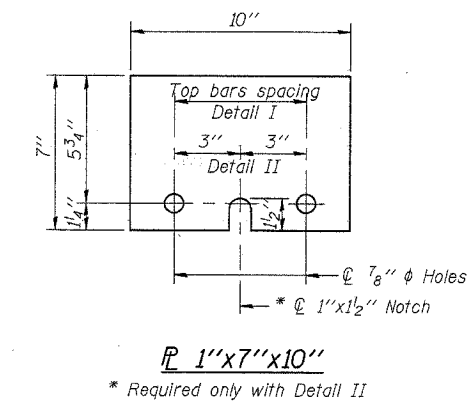
DETAIL I

The 1"x7"x10" Plate shall not be removed until Stage II Construction forms and reinforcement bars are in place.



DETAIL II

The 1"x7"x10" Plate shall not be removed until Stage II Construction forms and all reinforcement bars are in place and the concrete is ready to be placed.



REVISIONS	
NAME	DATE

ILLINOIS DEPARTMENT OF TRANSPORTATION
TEMPORARY CONCRETE BARRIER
FOR STAGE CONSTRUCTION
FAI RTE. 55 (EAST FRONTAGE ROAD)
OVER SUNNYLAND DRAIN
SECTION 27 BR
WILL COUNTY
STATION 105+12.13
STRUCTURE NO. 099-0032
DATE: 11/10/04 DRAWN BY WJV CHECKED BY BLB