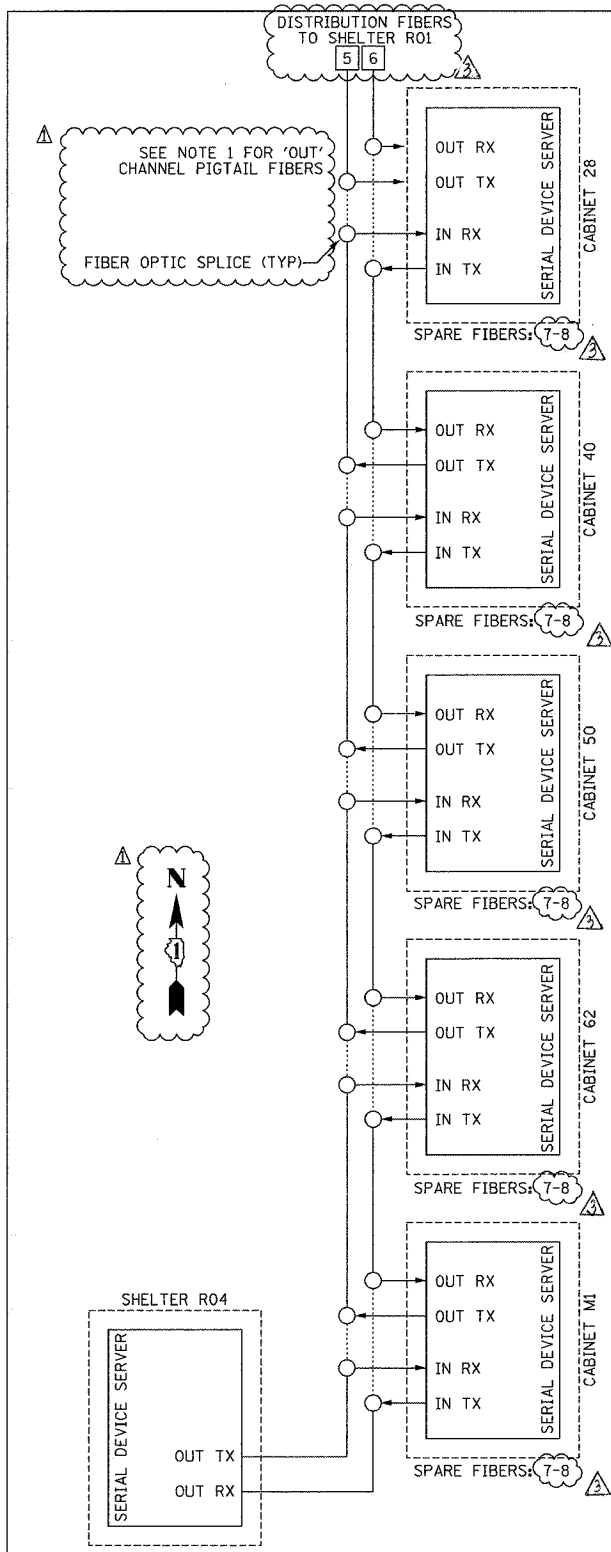
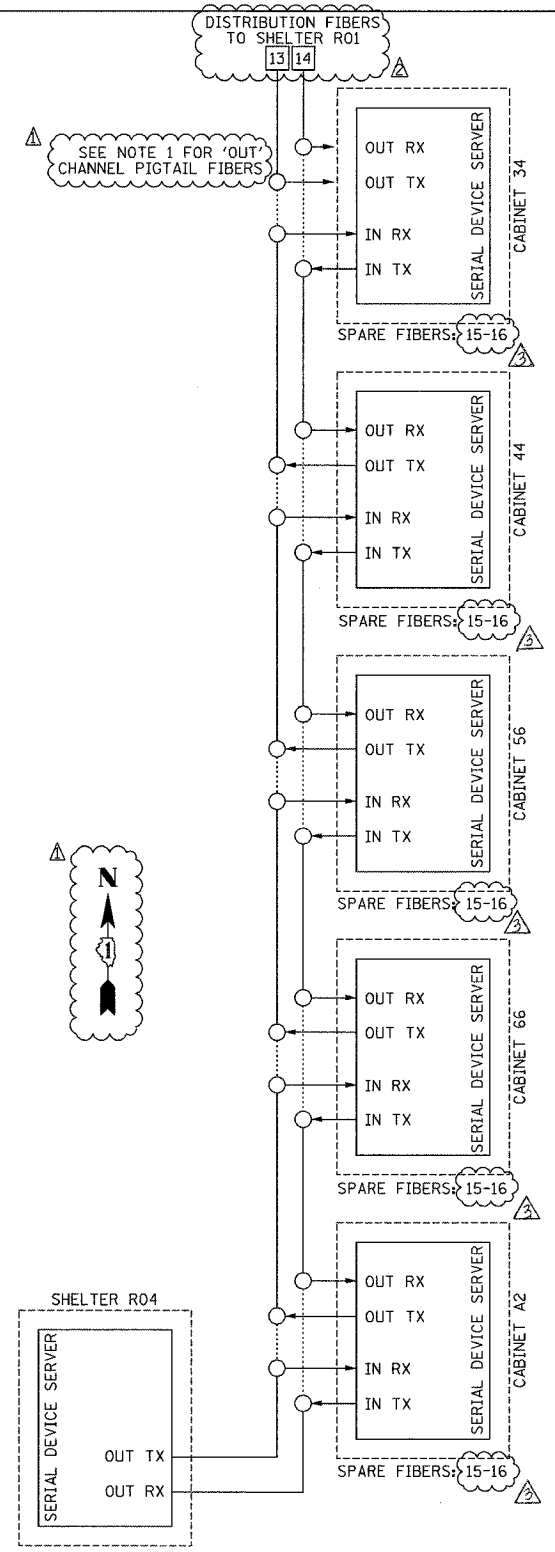


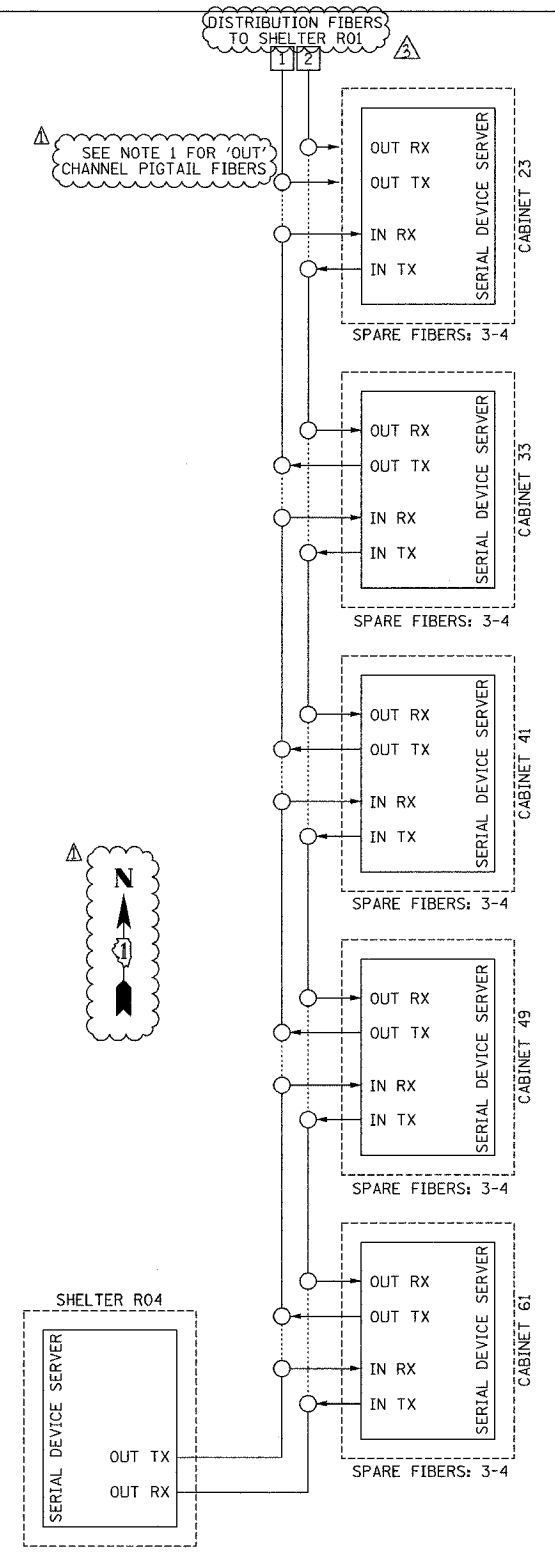
SECTION	COUNTY	TOTAL SHEETS	SHEET NO.
2003-0311	COOK	976	825
STA. TO STA.			
FED. ROAD DIST. NO.		ILLINOIS FED. AID PROJECT	
62583			



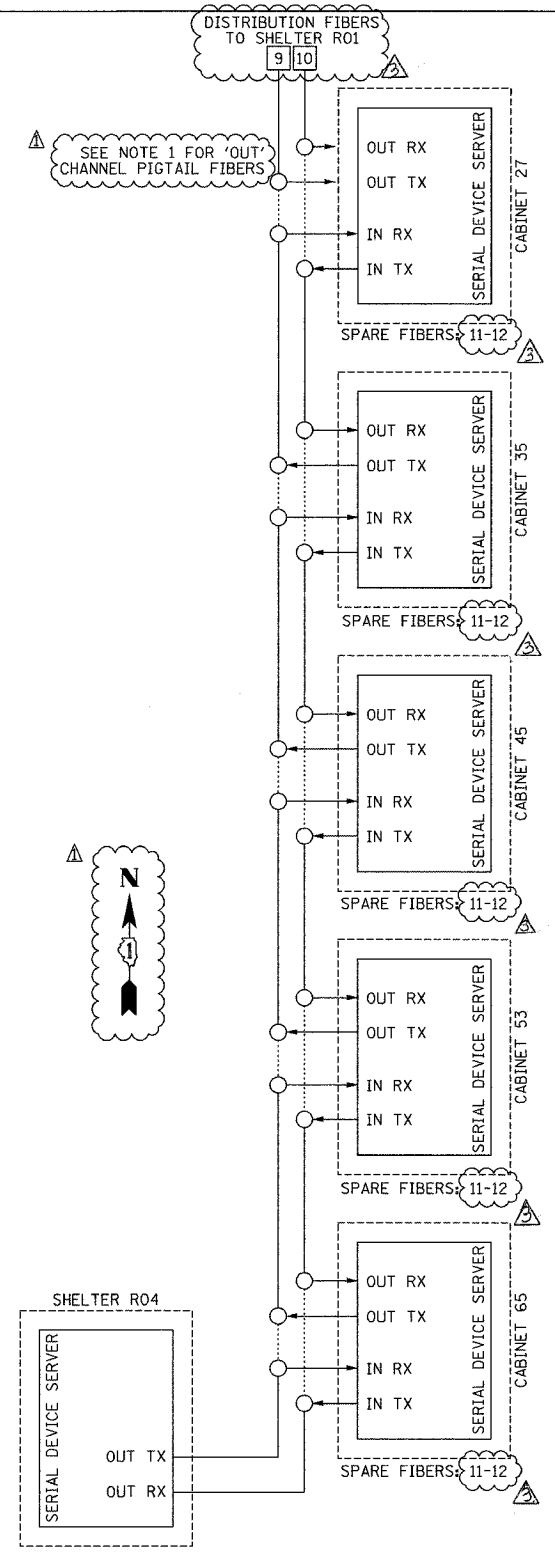
CIRCUIT DR-R04-SURV-04
FIVE SERIAL DEVICE SERVERS



CIRCUIT DR-R04-SURV-08
FIVE SERIAL DEVICE SERVERS



CIRCUIT DR-R04-SURV-01
FIVE SERIAL DEVICE SERVERS



CIRCUIT DR-R04-SURV-05
FIVE SERIAL DEVICE SERVERS

- NOTES:
1. FIBERS IN PIGTAIL ARE SPliced TO MAINLINE FIBERS AND TERMINATED IN THE CABINET BUT ARE NOT CONNECTED TO EQUIPMENT.
 2. THIS SHEET PROVIDES AN OVERVIEW OF THE SURVEILLANCE SYSTEM. FOR LOCATIONS OF EQUIPMENT INSTALLATION, SEE SHEETS DET-01 THRU DET-47.
 3. CONNECTIONS BETWEEN EQUIPMENT IS BY FIBER OPTIC CABLE INSTALLED UNDER THIS CONTRACT. SEE SHEETS COMM-01 THRU COMM-51 FOR FIBER INSTALLATION PLANS.
 4. FOR FIBER OPTIC SPLICE TABLES, SEE SHEETS COMM-62 THRU COMM-69.

REVISIONS	
NAME	DATE
REVISION 1	12/17/04
REVISION	02/11/05

DESIGNATION	SHELTER
R01	I-55 SHELTER
R02	IDOT MAINTENANCE YARD SHELTER
R03	EAST SHELTER
R04	EXISTING I-57 SHELTER

ILLINOIS DEPARTMENT OF TRANSPORTATION
F.A.I. 94/90 (DAN RYAN EXPRESSWAY)
31st STREET TO I-57
SURVEILLANCE SYSTEM DIAGRAMS
(SHEET 1 OF 3)

SCALE: NOT TO SCALE
DATE: October 29, 2004
DRAWN BY: DHI
CHECKED BY: JEZ

Edwards AND Kelcey
ONE NORTH FRANKLIN
CHICAGO, IL 60606
PHONE: (312) 251-3000
FAX: (312) 251-3015
WEB: WWW.EKCORP.COM

04/21/05 PM 02/08/2005