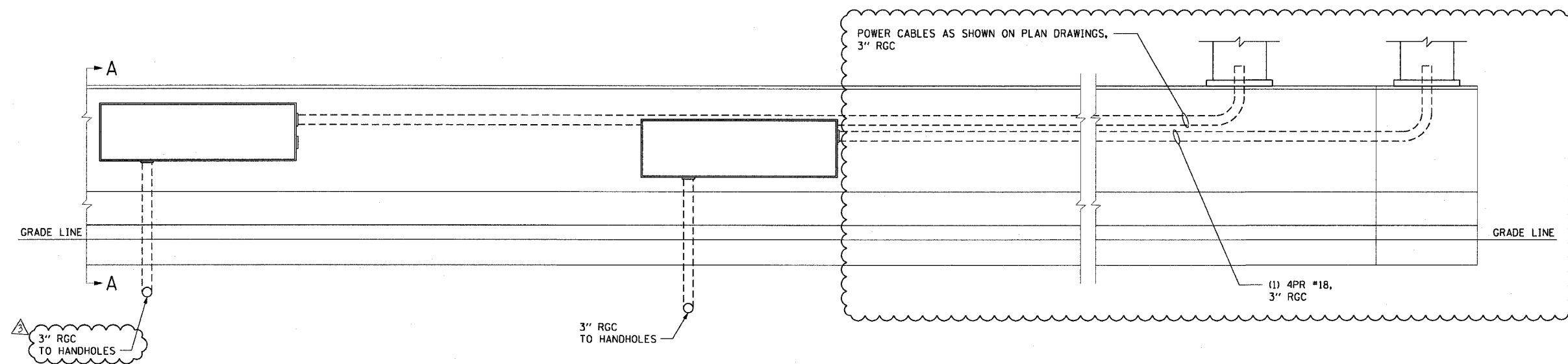


F.A.I. RTE.	SECTION	COUNTY	TOTAL SHEETS	SHEET NO.
90/94	2003-0311	COOK	976	897
STA.	TO STA.			
FED. ROAD DIST. NO. 1	ILLINOIS	FED. AID PROJECT		

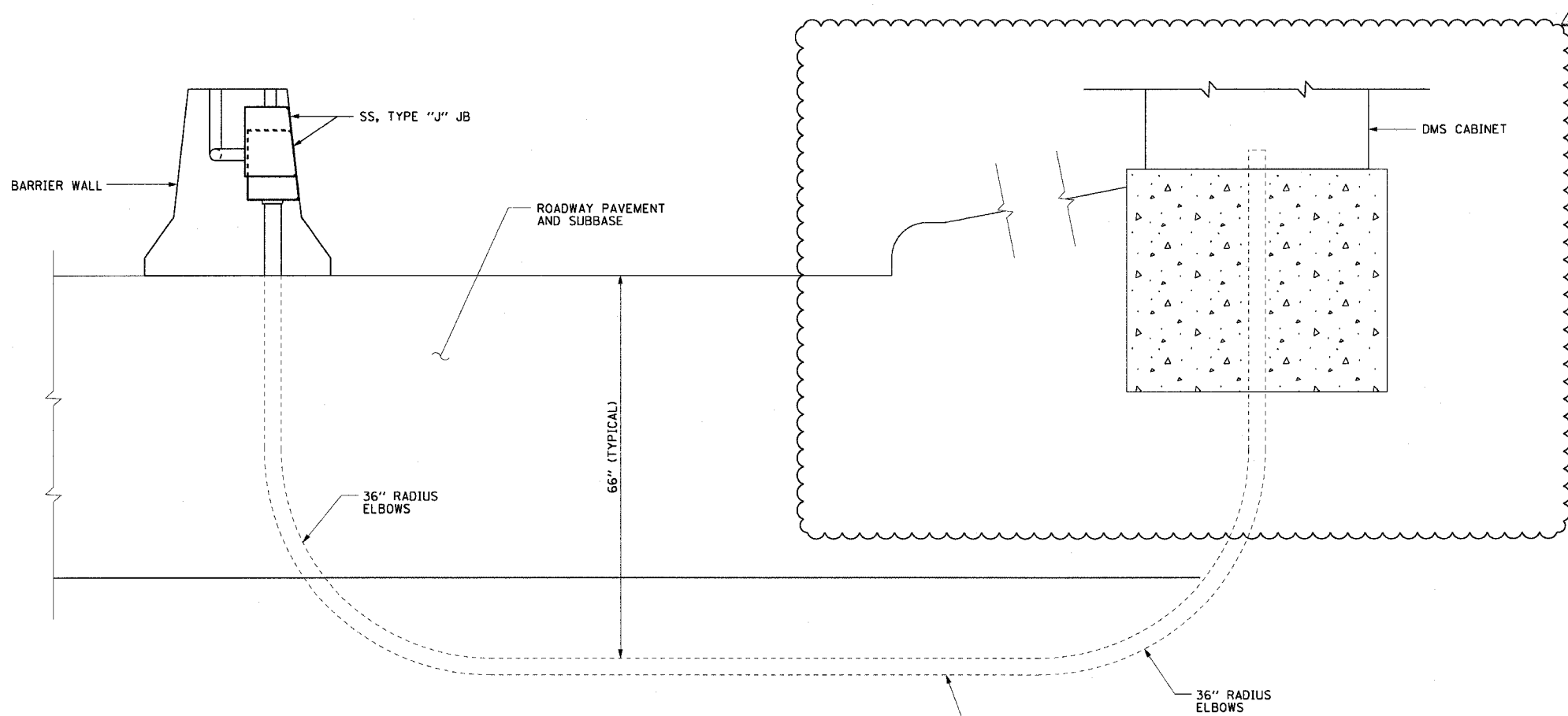
62583

NOTES:

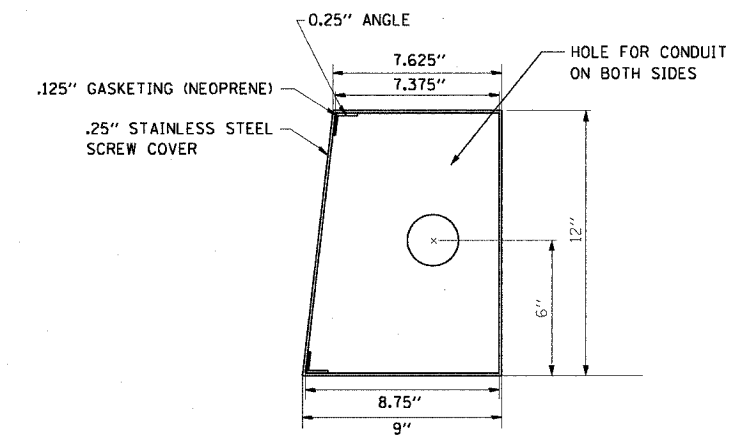
- SEE DRAWINGS ME-01 AND ME-02 FOR ELECTRICAL SYMBOLS AND ABBREVIATIONS.
- ALL WELDS MUST BE CONTINUOUS AND LEAK PROOF. BOX AND COVER MUST BE .25" TYPE 316 STAINLESS STEEL.
- ALL CONDUIT AND JUNCTION BOXES SHOWN IN BARRIER WALLS OR UNDER PAVEMENT ARE FURNISHED AND INSTALLED BY OTHERS UNDER A SEPARATE CONTRACT. ALL ELECTRIC CABLES ARE FURNISHED AND INSTALLED UNDER THIS CONTRACT.
- CABINET AND CONDUIT ENTRY CONFIGURATION IS TYPICAL. SEE PLAN SHEETS DMS-01 THROUGH DMS-08 FOR SPECIFIC CONFIGURATION.
- CONDUIT AND CABLE SIZES AS SHOWN ON THE PLAN SHEETS DMS-01 THROUGH DMS-08.



1 BARRIER WALL DUCT DETAIL ELEVATION
DT-02 NOT TO SCALE



2 SECTION A-A
DT-02



3 SPECIAL JUNCTION BOX
TYPE "J" - SIDE VIEW
DT-02 NOTE 2

CTE ENGINEERS
CONSOER TOWNSEND ENVIRODYNE ENGINEERS, INC.
303 EAST WACKER DRIVE, SUITE 600
CHICAGO, ILLINOIS 60601-5222, PHONE: (312) 938-0300

REVISIONS	
NAME	DATE
REVISED	1/21/05
REVISION	2/11/05

ILLINOIS DEPARTMENT OF TRANSPORTATION
F.A.I. 90/94 (DAN RYAN EXPRESSWAY)
31st STREET TO I-57
**DUCT DETAIL FOR DMS
CONDUITS IN MEDIAN WALL**
SCALE: NOT TO SCALE DRAWN BY: KCM
DATE: October 29, 2004 CHECKED BY: BMW

DT-02

02/10/2005 10:35:52 AM