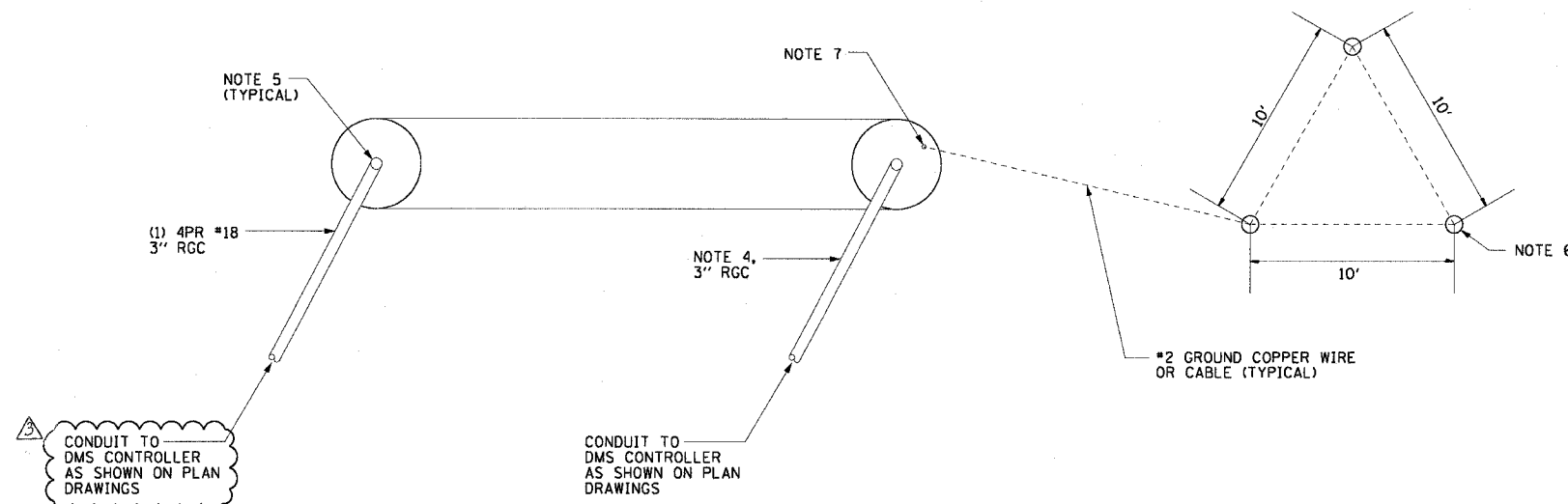


F.A.I. RTE.	SECTION	COUNTY	TOTAL SHEETS	SHEET NO.
90/94	2003-0311	COOK	976	898
STA.	TO STA.			
FED. ROAD DIST. NO. 1	ILLINOIS FED. AID PROJECT			

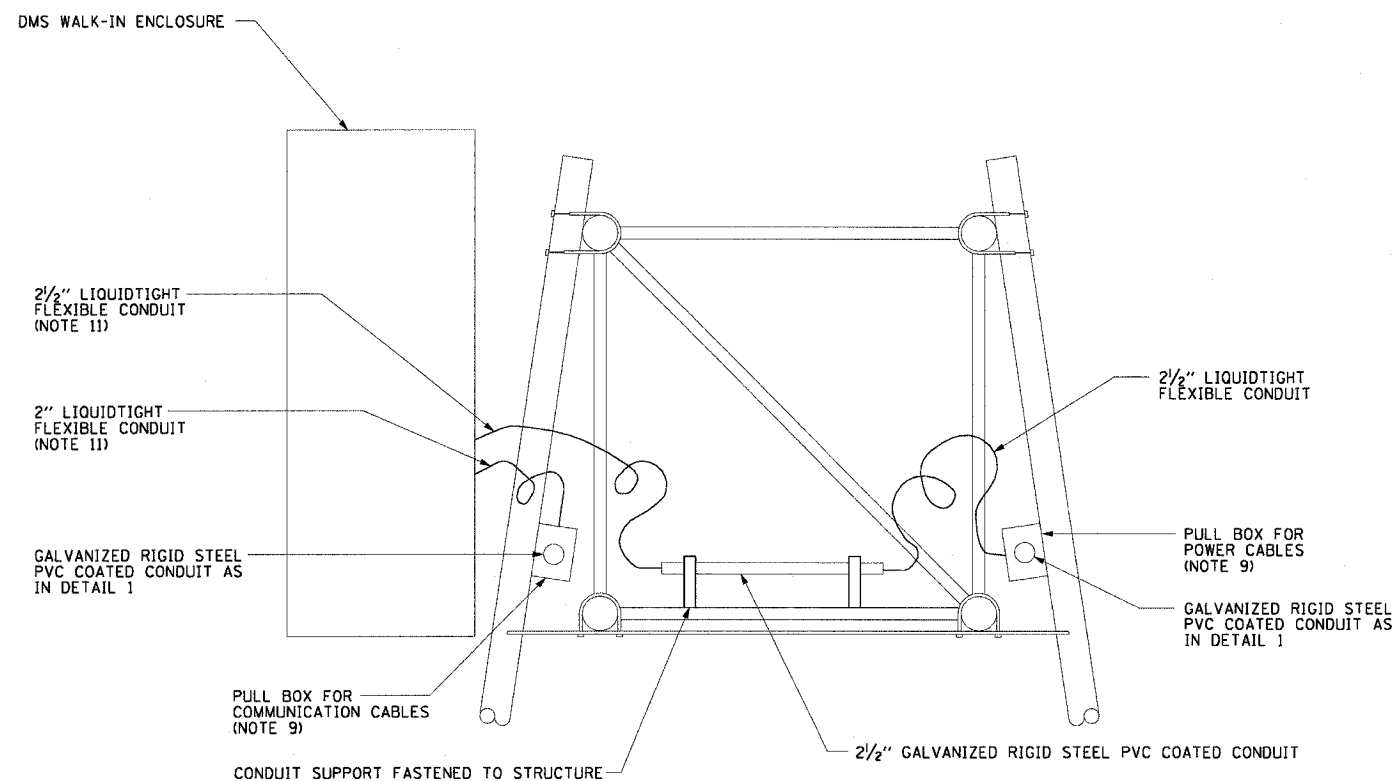
62583

NOTES:

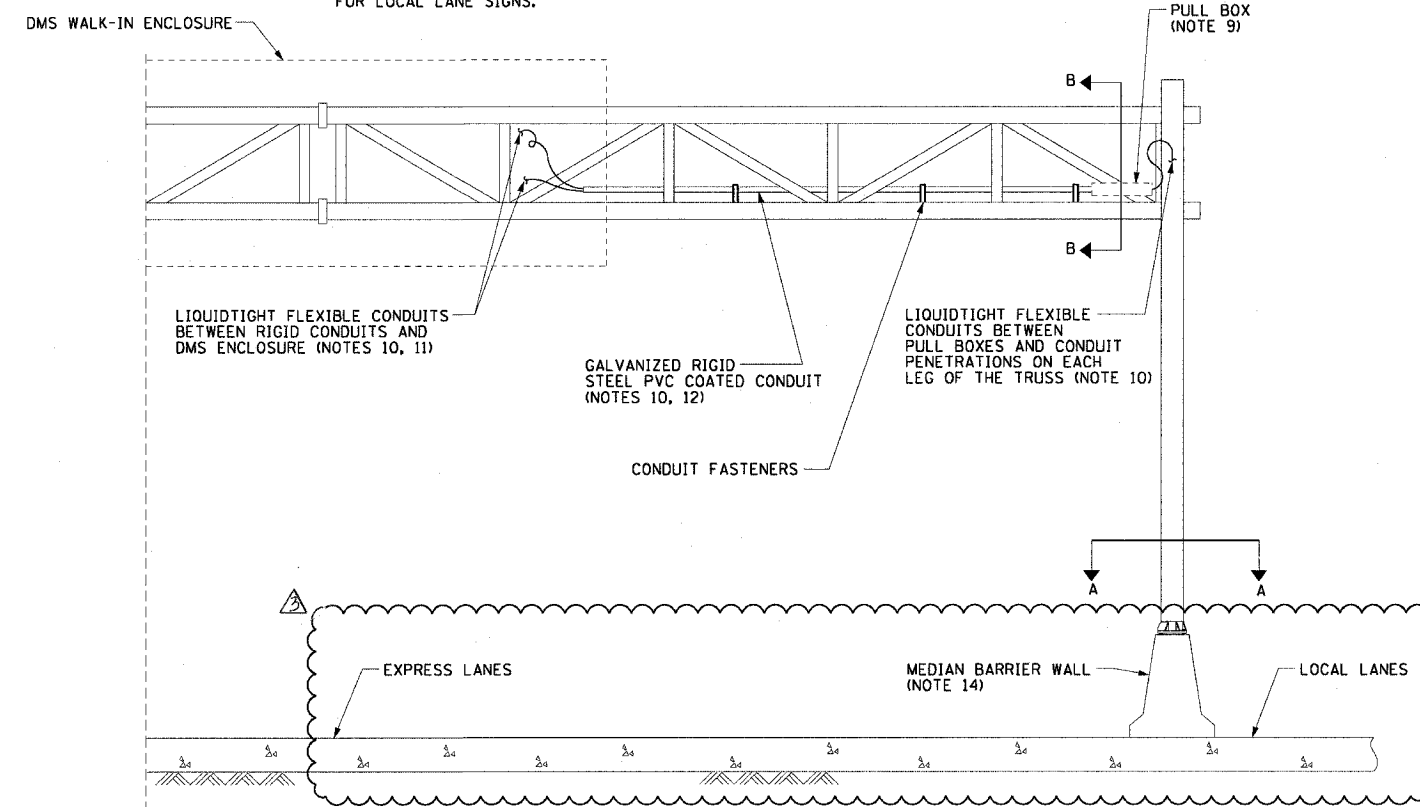
- SEE DRAWINGS ME-01 AND ME-02 FOR ELECTRICAL SYMBOLS AND ABBREVIATIONS.
- UNLESS OTHERWISE STATED, ALL CONDUIT TO BE FURNISHED AND INSTALLED BY OTHERS UNDER A SEPARATE CONTRACT.
- UNLESS OTHERWISE STATED, ALL ELECTRIC CABLE TO BE FURNISHED AND INSTALLED UNDER THIS CONTRACT.
- POWER CABLES MUST BE AS SHOWN ON DRAWINGS, DMS-01 THROUGH DMS-08.
- CONDUITS MUST BE STUBBED UP 6" INSIDE THE HOLLOW TRUSS SUPPORT. CABLES MUST BE PULLED TO THE TOP OF THE TRUSS SUPPORT THROUGH THE HOLLOW TRUSS. SEE DETAIL "3" ON THIS DRAWING. PULL WIRE MUST BE INSTALLED IN EACH OF THE SPARE CONDUITS. SPARE CONDUITS MUST BE CAPPED INSIDE THE TRUSS.
- 3/4" X 10' LONG, COPPER WELD GROUND ROD DRIVEN INTO GROUND 9' (TYPICAL FOR 3).
- GROUND COPPER WIRE MUST BE TERMINATED TO THE ANCHOR ROD USING APPROVED CLAMPS FOR GROUNDING. THE ANCHOR ROD MUST BE GROUND OR FILED TO BRIGHT METAL AT CLAMP AND CABLE CONNECTION LOCATION. GROUNDING BUSHING MUST BE INSTALLED ON EACH CONDUIT AND TIED TO THE GROUNDING SYSTEM AT THE TRUSS SUPPORT FOUNDATION.
- ALL RODS, CABLES, CONDUITS, CAPS, AND CLAMPS ASSOCIATED WITH THE GROUNDING SYSTEM AT THE SUPPORT FOUNDATION WILL BE FURNISHED AND INSTALLED BY OTHERS UNDER A SEPARATE CONTRACT.
- 6" X 6" X 40" STAINLESS STEEL PULL BOX, WITH CONTINUOUS HINGED COVER (TYPICAL).
- CONDUITS MUST BE 2 1/2" FOR POWER CABLES AND 2" FOR COMMUNICATIONS CABLES.
- THE DYNAMIC MESSAGE SIGN MUST BE PENETRATED FROM THE BACK THROUGH THE OPENINGS PROVIDED BY THE DMS ENCLOSURE MANUFACTURER. CONNECTION BETWEEN THE CONDUIT AND THE DMS ENCLOSURE MUST BE LIQUIDTIGHT FLEXIBLE CONDUIT.
- CONDUITS MUST BE ROUTED LOW AND AS CLOSE AS POSSIBLE TO THE TRUSS SUPPORT, AND MUST BE FASTENED TO THE SUPPORT ON THE INSIDE.
- THE COST OF FURNISHING AND INSTALLING CONDUITS, CABLES, FASTENERS, PULL BOXES, AND LIQUIDTIGHT FLEXIBLE CONDUITS IS CONSIDERED INCIDENTAL TO THE COST OF DMS INSTALLATION.
- CONDUITS SHALL ENTER TRUSS LEGS THROUGH MEDIAN BARRIER WALL FOR EXPRESS LANE SIGNS AND THROUGH GROUND MOUNTED FOUNDATIONS NEXT TO OUTSIDE SHOULDER FOR LOCAL LANE SIGNS.



2 SECTION A-A, CONDUIT STUB-UP AT DMS FOUNDATION
DT-03 NOTE 8



3 SECTION B-B, PARTIAL SIDE ELEVATION OF SIGN SUPPORT
DT-03



1 PARTIAL FRONT ELEVATION OF SIGN SUPPORT
DT-03

REVISIONS		
NAME	DATE	
REVISION	1/21/05	
REVISION	2/11/05	

ILLINOIS DEPARTMENT OF TRANSPORTATION
F.A.I. 90/94 (DAN RYAN EXPRESSWAY)
31st STREET TO I-57

DUCT AND MOUNTING DETAILS FOR
FULL SPAN TRUSS MOUNTED DMS

SCALE: NONE DRAWN BY: BHP
DATE: October 29, 2004 CHECKED BY: BMW

ma:V49468/ElecV917/S/SH/Contract 2/07/02/003/2A/87 02/10/2005 02:43:29 PM