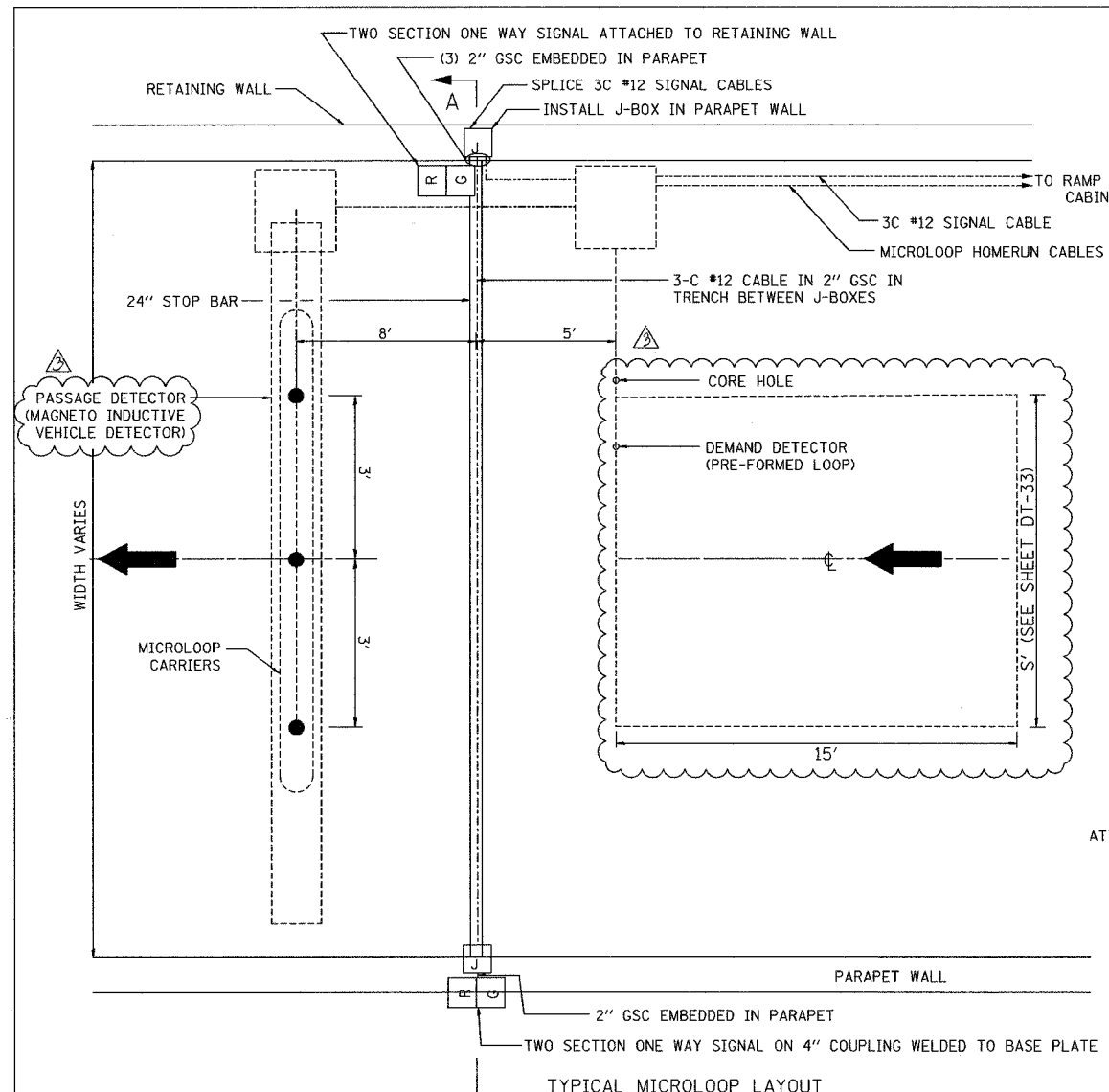
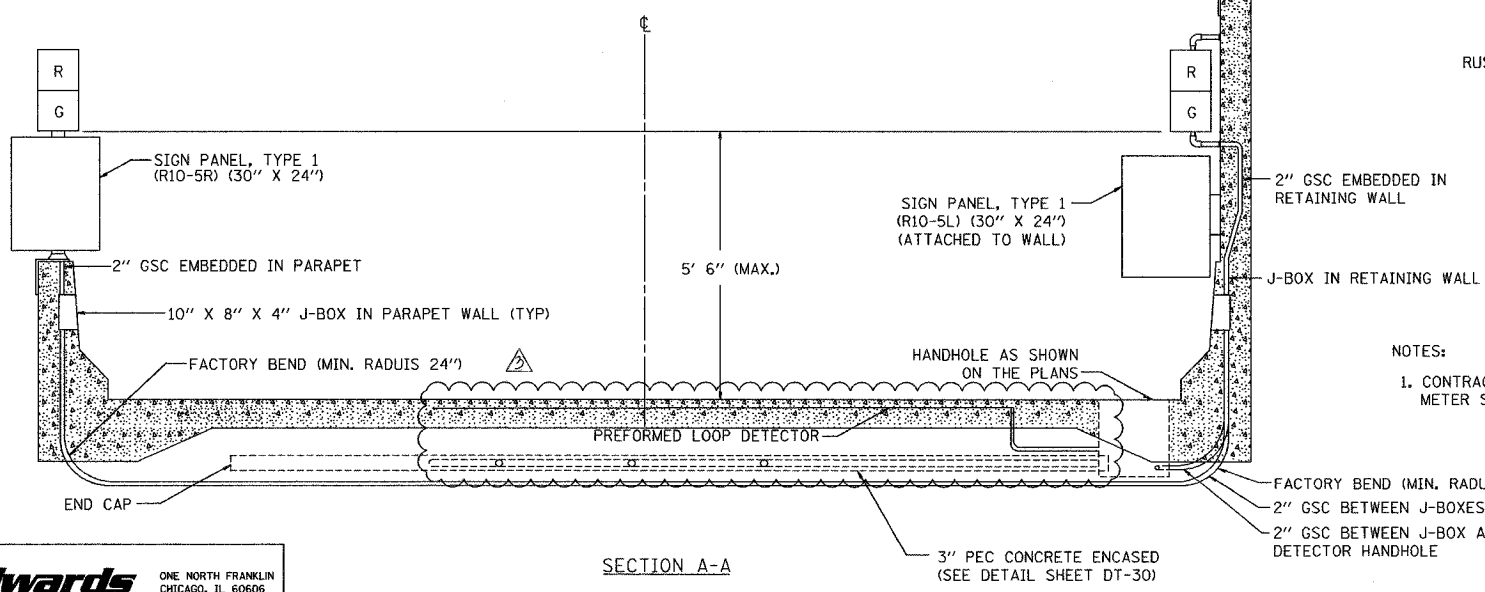
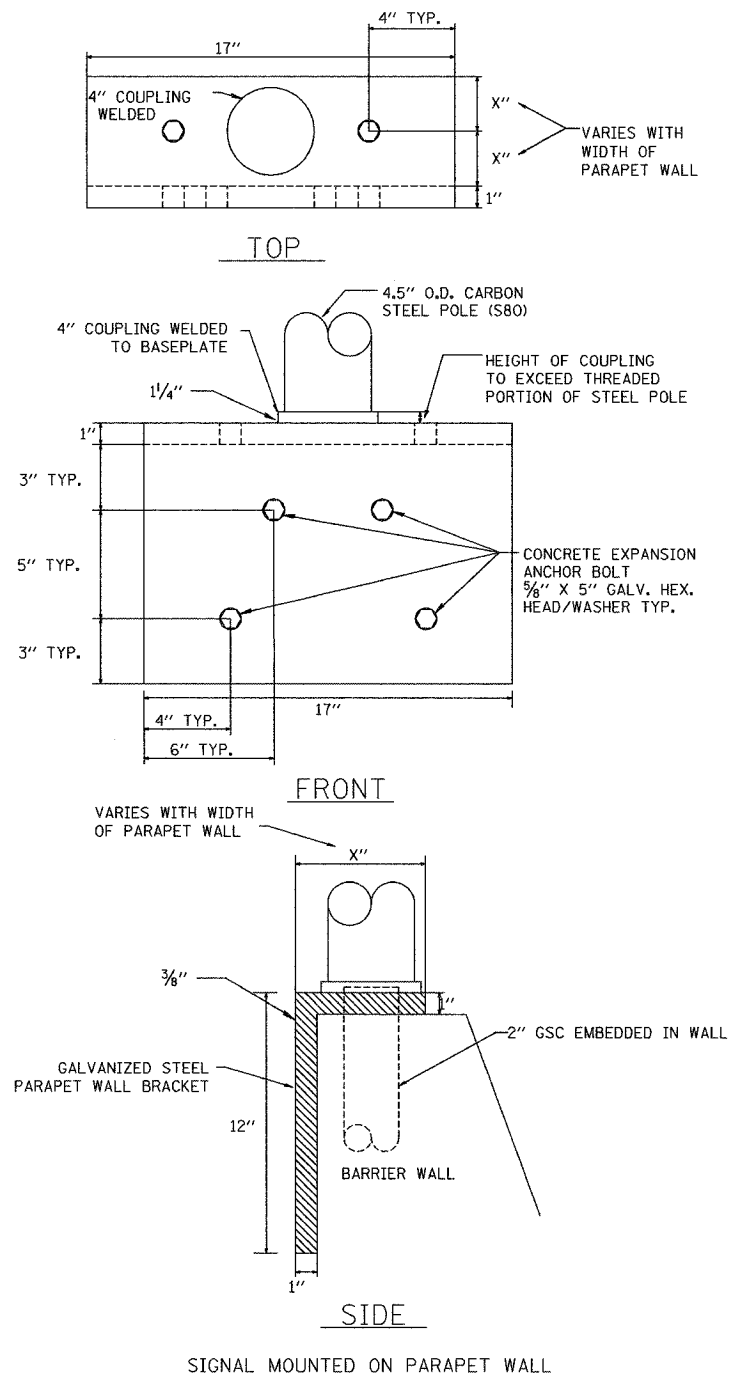
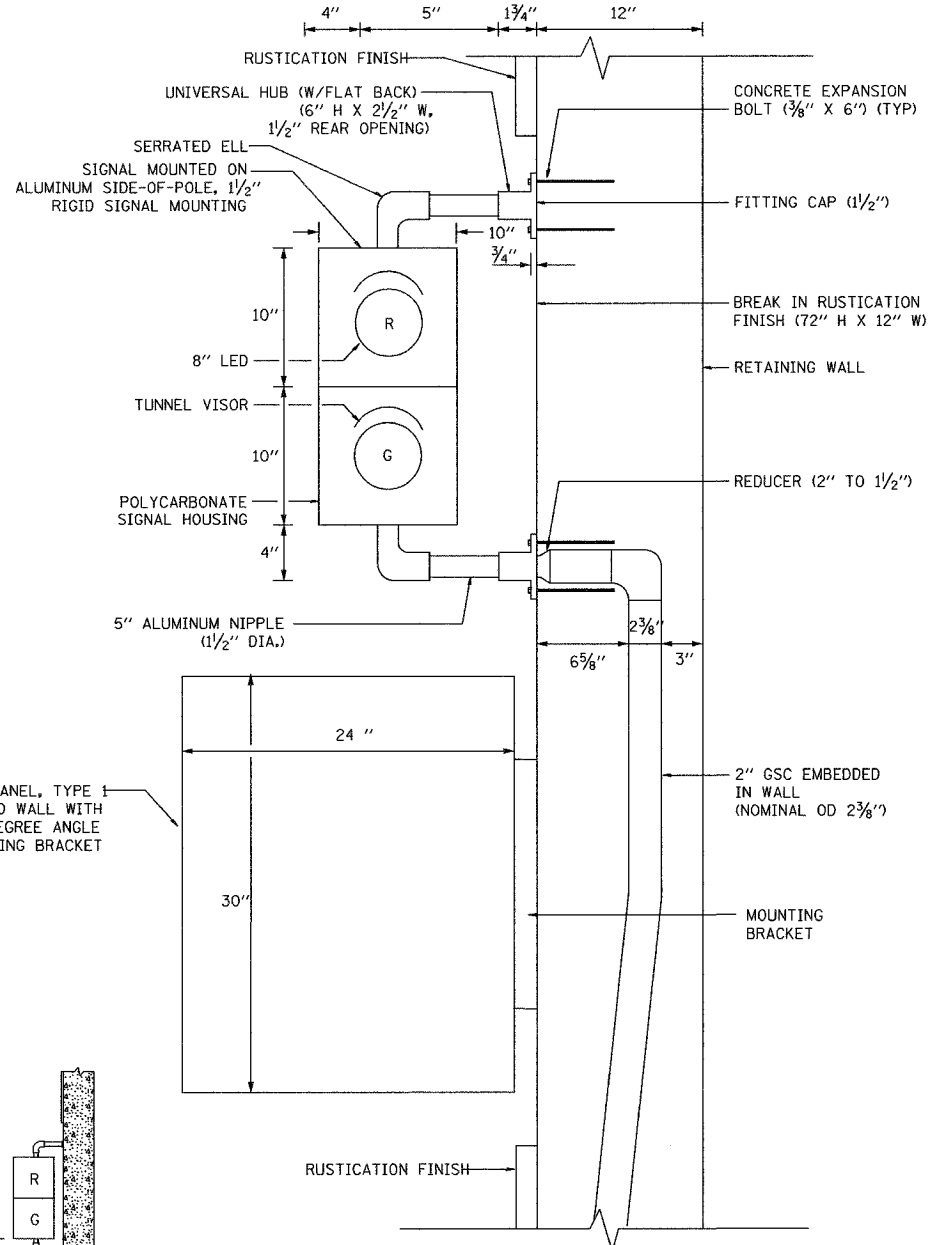


SECTION	COUNTY	TOTAL SHEETS	SHEET NO.
2003-0311	COOK	976	940
STA.	TO STA.		
FED. ROAD DIST. NO.	ILLINOIS	FED. AID PROJECT	
62583			

A:\030019035\Vis\ccad\dt\020502a.rvt



SIGN PANEL, TYPE 1
ATTACHED TO WALL WITH
30/45 DEGREE ANGLE
MOUNTING BRACKET



NOTES:
1. CONTRACTOR SHALL SUBMIT DETAILED SHOP DRAWINGS OF THE RAMP METER SIGNAL AND SIGN MOUNTING HARDWARE FOR APPROVAL BY THE ENGINEER.

**Edwards
AND
Kelcey**
ONE NORTH FRANKLIN
CHICAGO, IL 60606
PHONE: (312) 251-3000
FAX: (312) 251-3015
WEB: WWW.EKCORP.COM

REVISIONS	
NAME	DATE
REVISION	2/11/05

ILLINOIS DEPARTMENT OF TRANSPORTATION
F.A.I. 94/90 (DAN RYAN EXPRESSWAY)
31st STREET TO I-57
TYPICAL RAMP METERING
TYPE III BARRIER WALL AND
RETAINING WALL INSTALLATION
SCALE: NTS
DATE: October 29, 2004
DRAWN BY: NB
CHECKED BY: CTC

DT-34

02/09/2005 09:16:01 AM