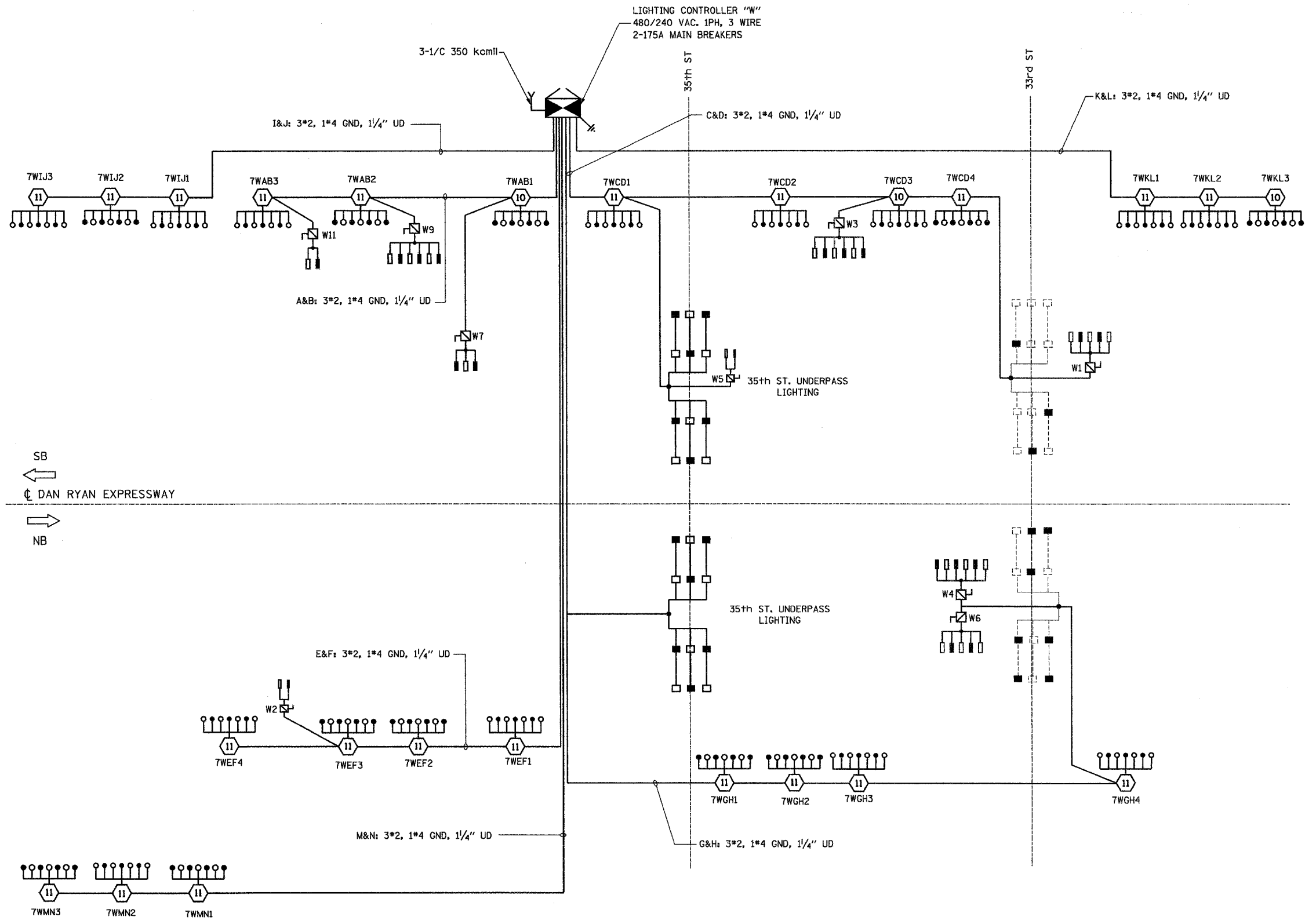


F.A.I. RTE.	SECTION	COUNTY	TOTAL SHEETS	SHEET NO.
94/90	2003-0311	COOK	976	354
STA.	TO STA.			
FED. ROAD DIST. NO.	ILLINOIS	FED. AID PROJECT		
62583				



- LEGEND:**
- HIGH MAST LIGHT TOWER
 - 400W. HPS LUMINAIRE (BLACK PHASE- SOLID SYMBOLS, RED PHASE-OPEN SYMBOL)
 - 7WCD1 HIGH MAST TOWER DESIGNATION
 - LIGHTING CONTROLLER
 - GROUND FIELD
 - ELECTRIC UTILITY SERVICE
 - UNIT DUCT, 3-1/C #2 WITH 1/C #4 GROUND, 1/4"
 - LIGHTED SIGN STRUCTURE WITH 170 W. FLUORESCENT LUMINAIRE. QUANTITY OF LUMINAIRE AS REQUIRED. (BLACK PHASE- SOLID SYMBOLS, RED PHASE, OPEN SYMBOL)
 - 3 POLE SAFETY SWITCH
 - UNDERPASS LIGHTING UNIT, 70W HPS LUMINAIRE. (BLACK PHASE- SOLID SYMBOL, RED PHASE-OPEN SYMBOL)
 - UNDERPASS LIGHTING UNIT, 55W HPS LUMINAIRE. (BLACK PHASE- SOLID SYMBOL, RED PHASE-OPEN SYMBOL)

CIRCUIT	RED PHASE		BLACK PHASE		
	AMPS	WATTS	CIRCUIT	AMPS	WATTS
A	24.00	4850	B	26.80	5420
C	41.15	8105	D	34.25	6805
E	28.80	5770	F	28.80	5770
G	36.95	7315	H	37.65	7425
I	22.00	4400	J	20.00	4000
K	22.00	4400	L	20.00	4000
M	20.00	4000	N	22.00	4400
O	SPARE	SPARE	P	SPARE	SPARE
TOTAL	194.90A	38,840	TOTAL	189.50A	37,820

KAM ENGINEERING, INC.
CONSULTING ENGINEERS
707A Davis Road, Suite 205
Elgin, Illinois 60123-1369

REVISIONS	
NAME	DATE

ILLINOIS DEPARTMENT OF TRANSPORTATION
F.A.I. 94/90 (DAN RYAN EXPRESSWAY)
31st STREET TO I-57

**SINGLE LINE DIAGRAM
LIGHTING CONTROLLER "W"
FINAL CONDITION**

SCALE: NONE
DATE: OCTOBER 29, 2004

DRAWN BY: BL
CHECKED BY: SM

SL08-12

10/16/2004 10:55:41 AM