

62583



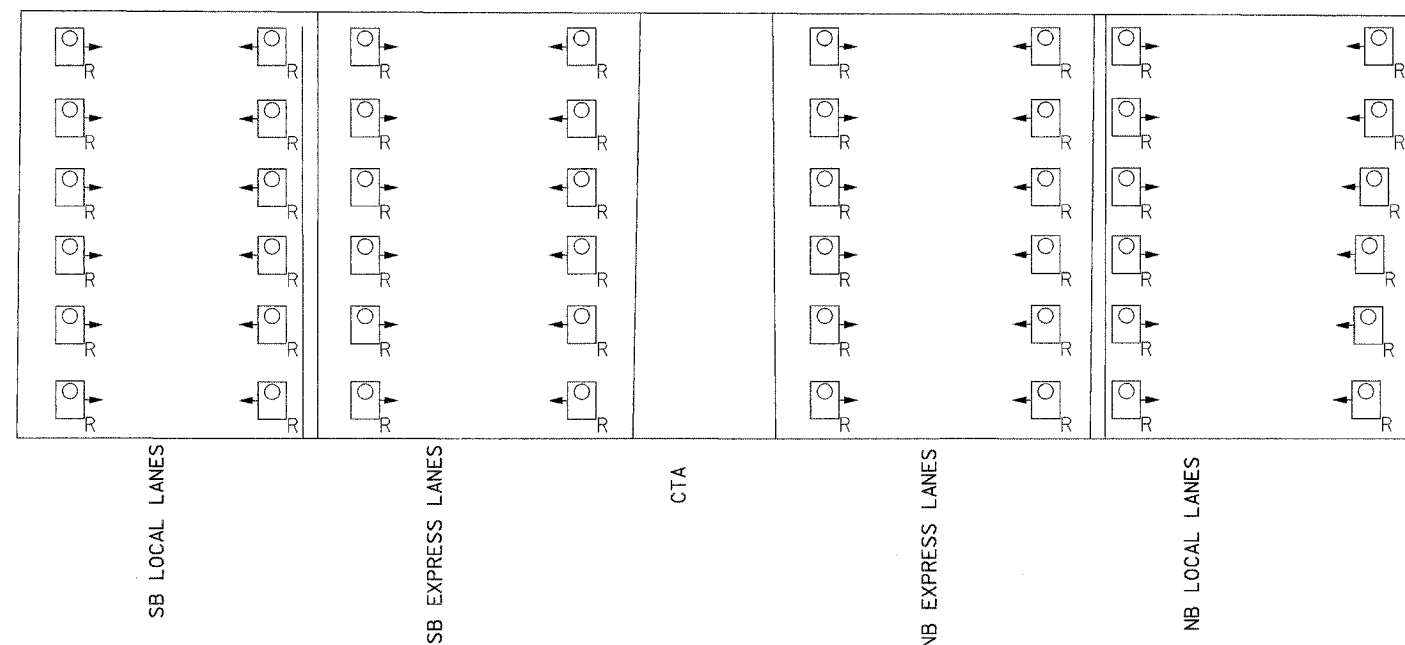
NOTES:

- SEE DRAWING ME-01 FOR ELECTRICAL SYMBOLS, ABBREVIATION, AND NOTES.
- LOCATIONS OF EXISTING ELECTRICAL EQUIPMENT SHOWN ON THIS DRAWING ARE APPROXIMATIONS AND MUST BE VERIFIED IN THE FIELD BY THE CONTRACTOR.
- SEE DRAWING ME-06 FOR SUSPENDED UNDERPASS LUMINAIRE MOUNTING AND CABLE & CONDUIT DETAILS.
- SEE DRAWING RL08-47 FOR CONTINUATION OF UNDERPASS LIGHTING CIRCUIT FEEDS.
- ALL PROPOSED UNDERPASS LIGHTING UNITS SHOWN ON THIS DRAWING WILL BE FED FROM IDOT LIGHTING CONTROLLER "X". SEE DRAWING SLO8-03 FOR SINGLE LINE DIAGRAM FOR LIGHTING CONTROLLER "X".
- CONTRACTOR MUST REMOVE AND DISPOSE OF ALL EXISTING CABLE, CONDUIT, JUNCTION BOXES, AND ALL MOUNTING HARDWARE ASSOCIATED WITH THE EXISTING UNDERPASS LIGHTING.
- SPLICE THE NEW UNDERPASS LIGHTING CIRCUITS OVER THE EXPRESS LANES TO THE EXISTING UNDERPASS LIGHTING CIRCUITS OVER THE LOCAL LANES DURING 2006.
- THE CONTRACTOR IS RESPONSIBLE FOR THE MAINTENANCE OF THE EXISTING LIGHTING SYSTEM SHOWN ON THIS DRAWING. THE EXISTING ELECTRICAL POWER FEEDS MAY NOT BE REMOVED UNTIL SUCH TIME AS THE PROPOSED POWER FEEDS ARE INSTALLED. PROVIDE TEMPORARY POWER AS REQUIRED TO MAINTAIN THE EXISTING LIGHTING SYSTEM AND THE PROPOSED LIGHTING SYSTEM AT DIFFERENT STAGES.

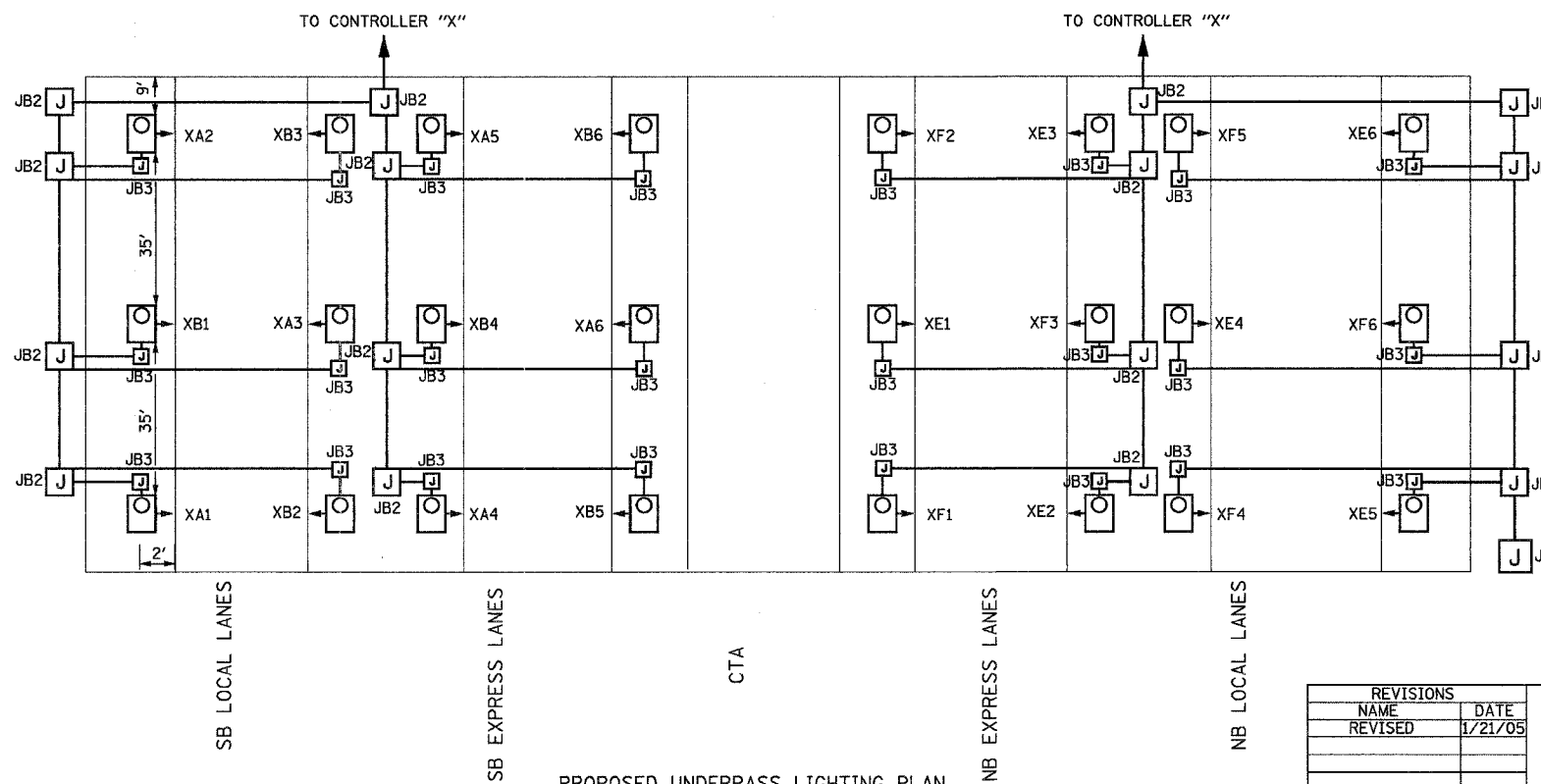
SEQUENCE OF WORK

- EXISTING UNDERPASS LIGHTING CONNECTED TO EXISTING CONTROLLER.
- PROPOSED UNDERPASS LIGHTING OVER THE EXPRESS LANES AND EXISTING UNDERPASS LIGHTING OVER LOCAL LANES CONNECTED TO PROPOSED CONTROLLER.
- PROPOSED UNDERPASS LIGHTING CONNECTED TO PROPOSED CONTROLLER.

JUNCTION BOX SCHEDULE		
NO.	SIZE	DESCRIPTION
JB1	12"x12"x6"	STAINLESS STEEL ATTACHED TO STRUCTURE
JB2	12"x10"x6"	STAINLESS STEEL ATTACHED TO ABUTMENT OR TOP OF PIER AS SHOWN
JB3	6"x6"x4"	STAINLESS STEEL ATTACHED TO ABUTMENT OR TOP OF PIER AS SHOWN



EXISTING UNDERPASS LIGHTING PLAN



PROPOSED UNDERPASS LIGHTING PLAN

UL-39

REVISIONS	
NAME	DATE
REVISED	1/21/05

ILLINOIS DEPARTMENT OF TRANSPORTATION
F.A.I. 94/90 (DAN RYAN EXPRESSWAY)
31st STREET TO I-57

UNDERPASS LIGHTING PLAN
31st STREET

SCALE: NONE
DATE: OCTOBER 29, 2004

DRAWN BY: BL
CHECKED BY: SM