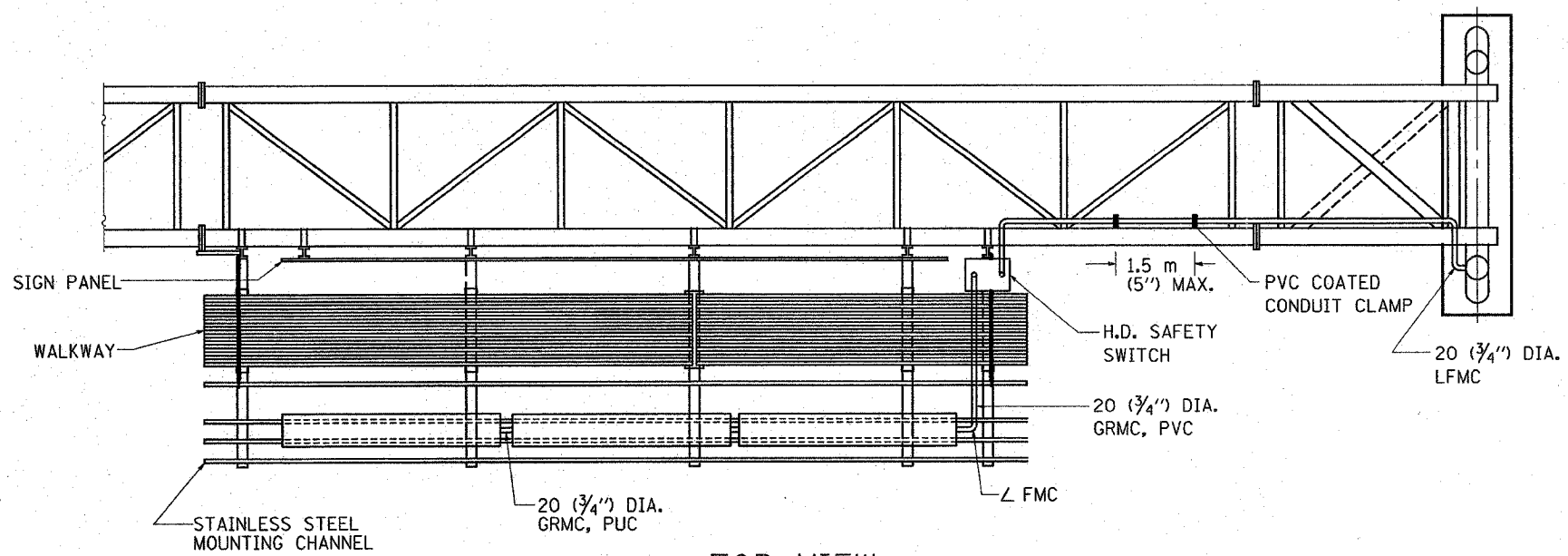
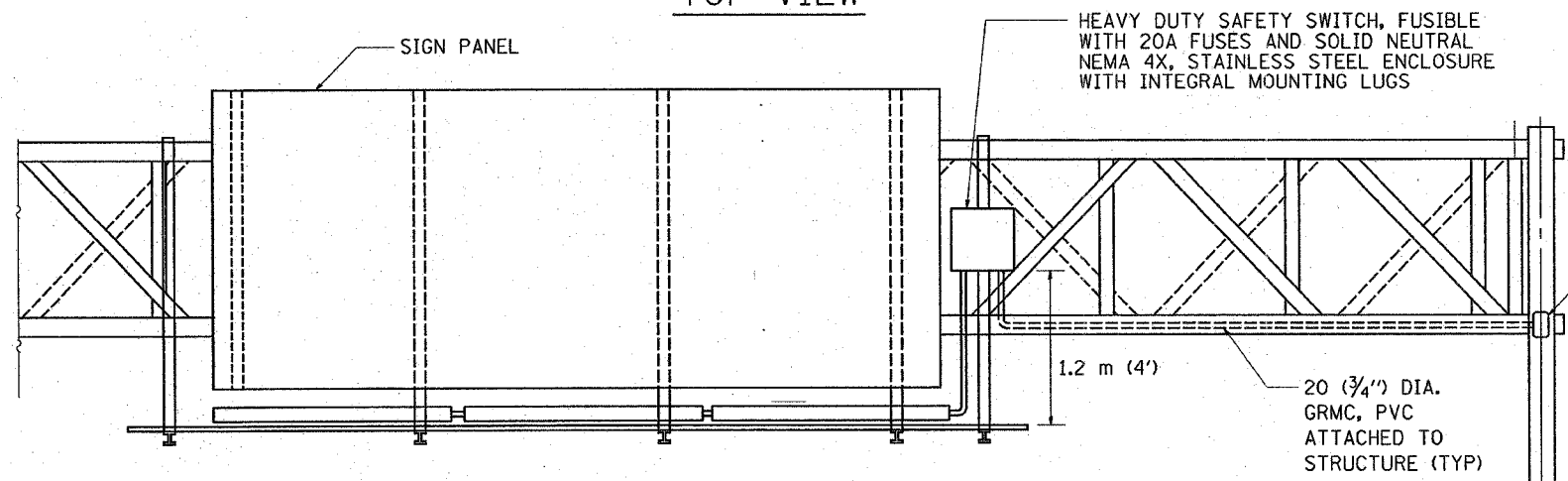


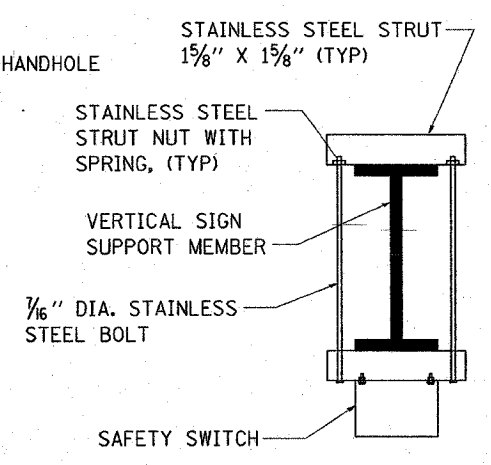
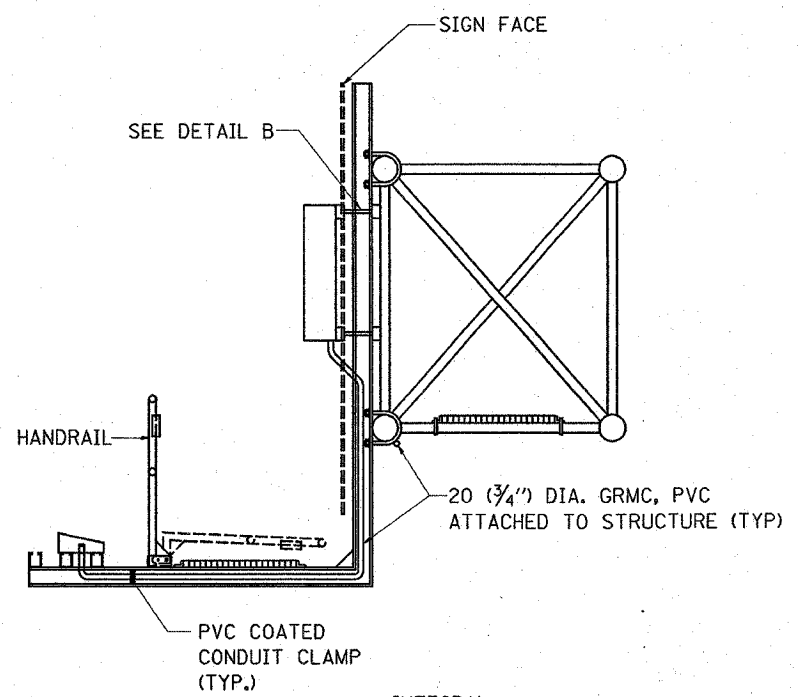
CONTRACT NO.:				
F.A. RTE.:	SECTION	COUNTY	TOTAL SHEETS	SHEET NO.
101A	2003-0312	Cook	976	406
STA.		TO STA.		
FED. ROAD DIST. NO.	ILLINOIS FED. AID PROJECT			
CONTRACT NO. 62583				



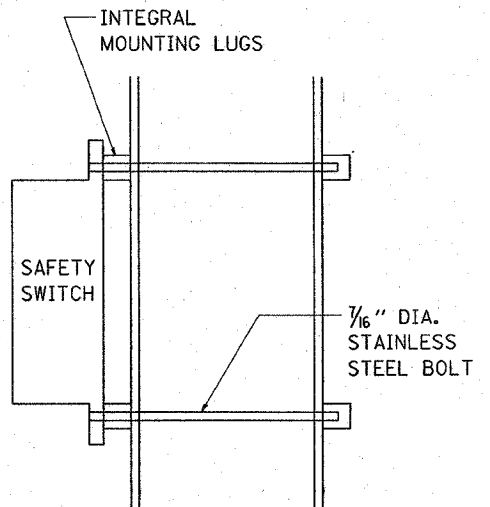
TOP VIEW



ELEVATION VIEW



TOP VIEW



SIDE VIEW

DETAIL B

REVISIONS	
NAME	DATE

ILLINOIS DEPARTMENT OF TRANSPORTATION
 ELECTRIC CONNECTION
 TO SIGN STRUCTURE
 SPAN TYPE
 2 OF 2

SCALE: VERT. DATE
 HORIZ. DRAWN BY
 CHECKED BY

06:52:12 04/07/2004