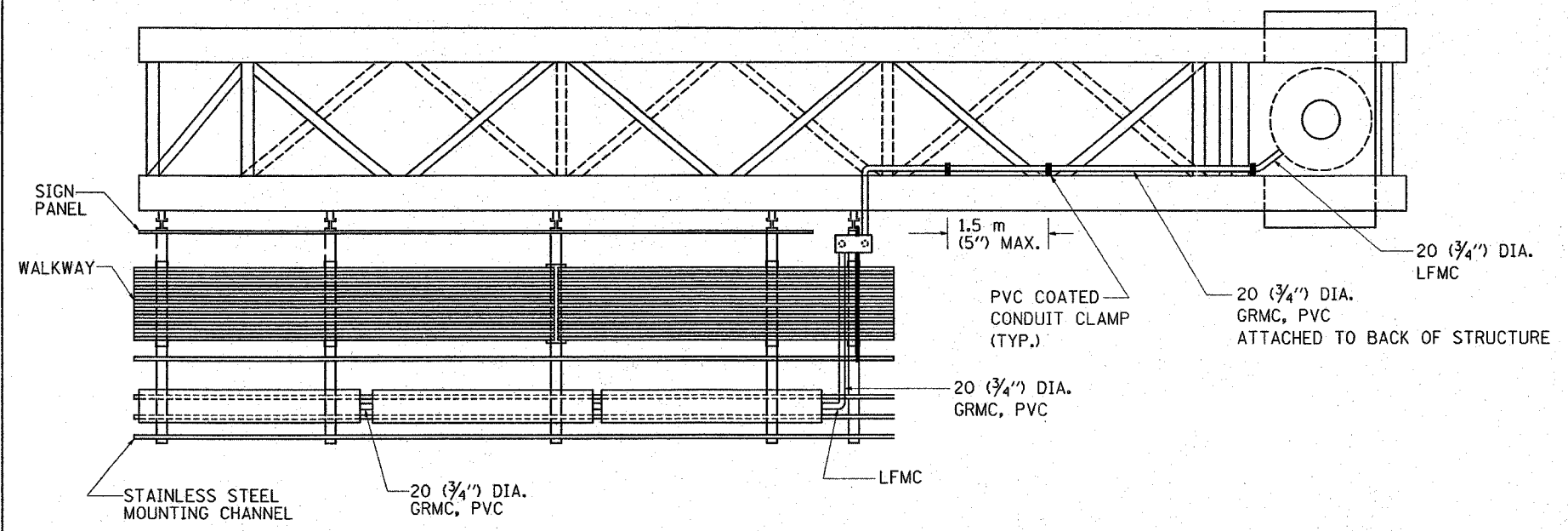
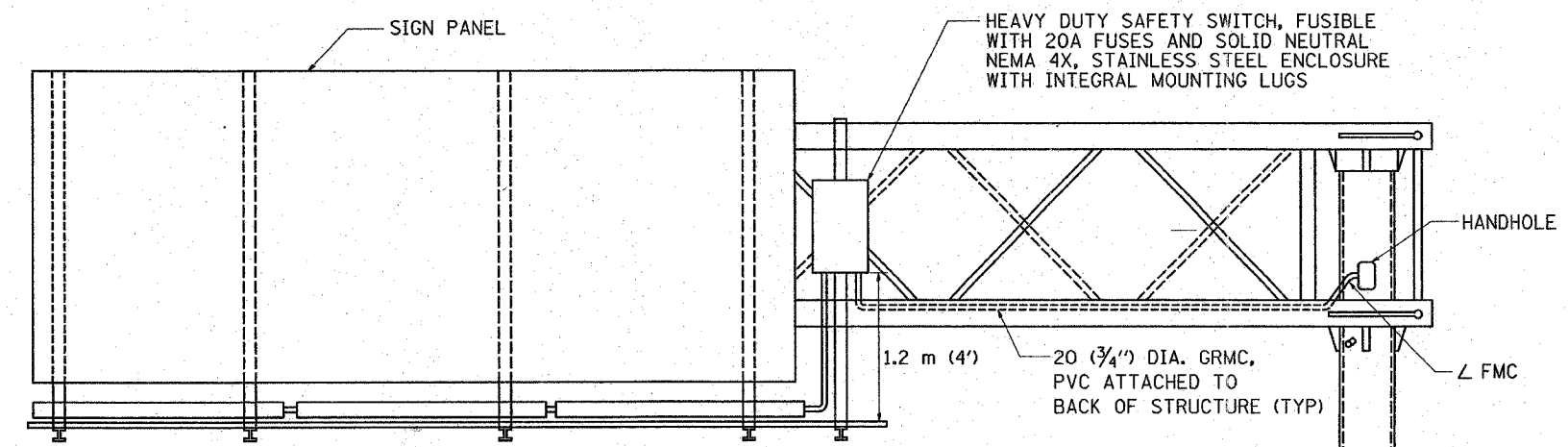
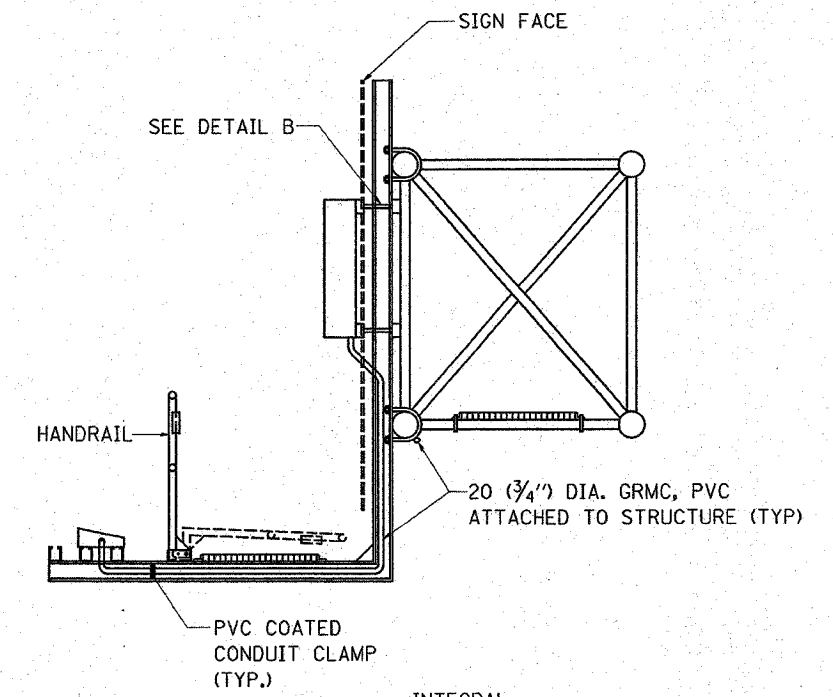


F.A. RTE.	SECTION	COUNTY	TOTAL SHEETS	SHEET NO.
94	202-071	COOK	176	108
STA.		TO STA.		
FED. ROAD DIST. NO.		ILLINOIS FED. AID PROJECT		

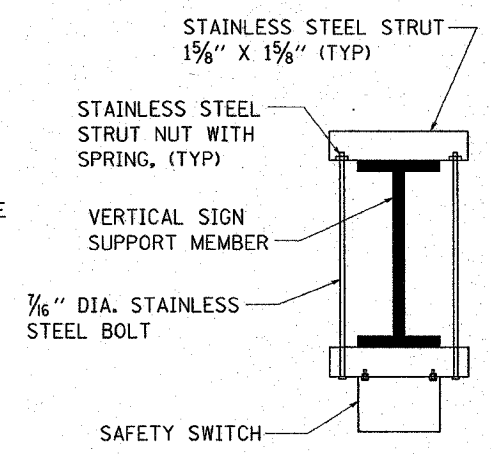
2583



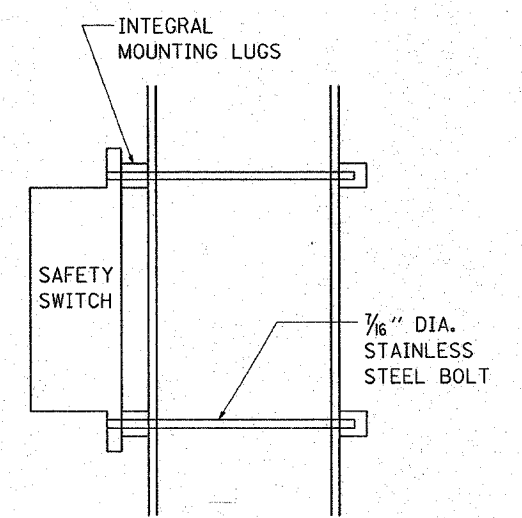
TOP VIEW



ELEVATION VIEW



TOP VIEW



SIDE VIEW

DETAIL B

REVISIONS		ILLINOIS DEPARTMENT OF TRANSPORTATION
NAME	DATE	
		ELECTRIC CONNECTION TO SIGN STRUCTURE CANTILEVER TYPE 2 OF 2
SCALE:	VERT. DATE	DRAWN BY
	HORIZ.	CHECKED BY

10:03:43 04/21/2004