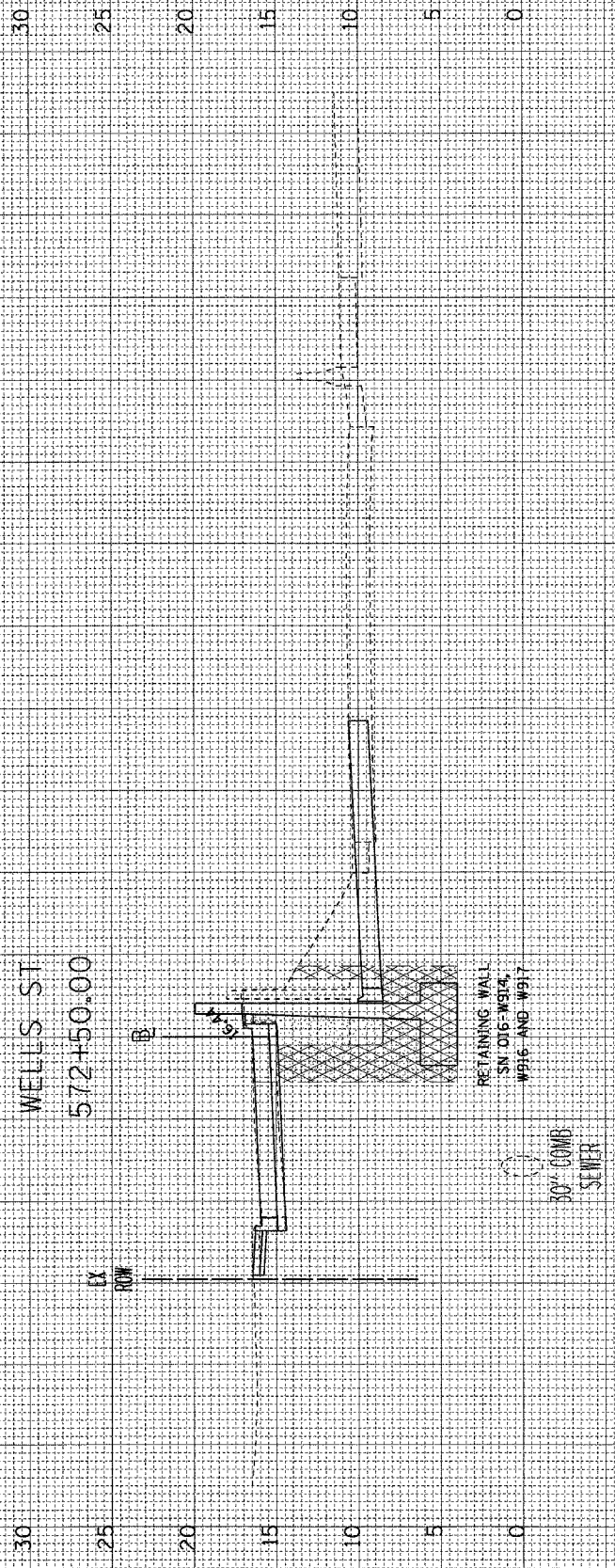


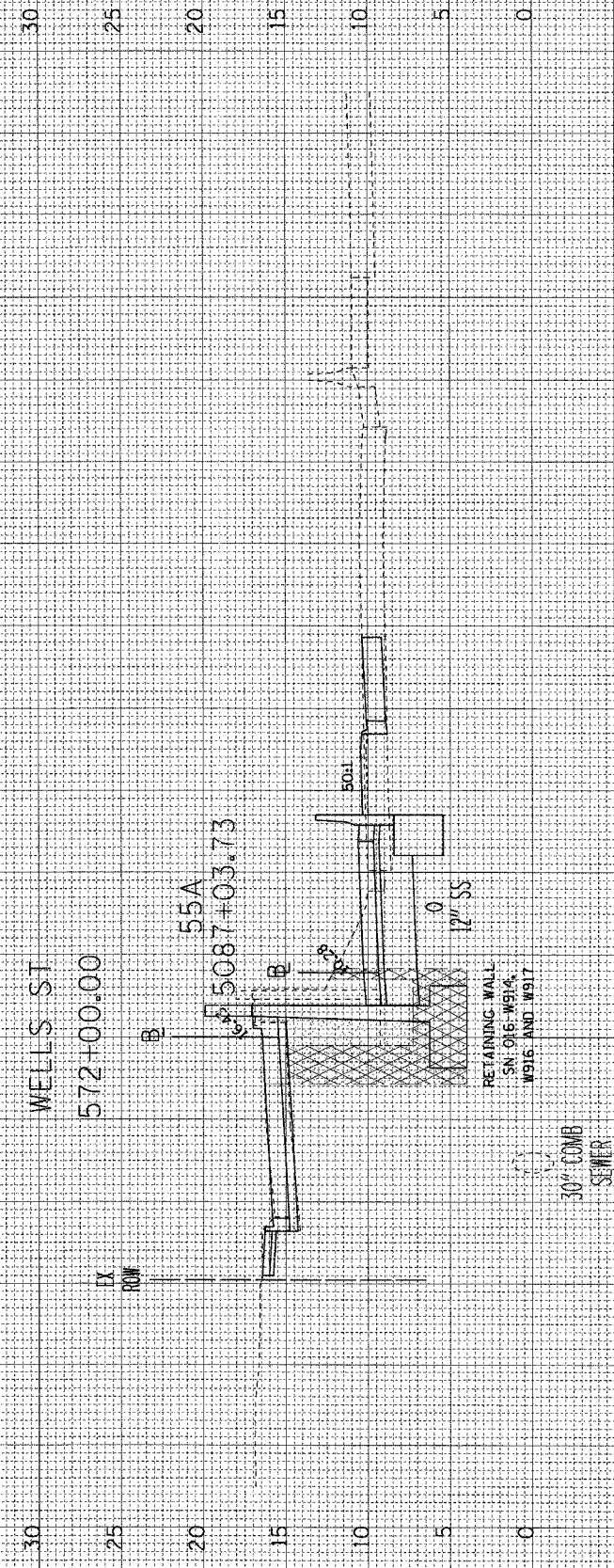
FINAL SURVEY BY DATE  
 SURVEYED BY DATE  
 TEMPLATE NO.  
 NOTE BOOK NO.  
 AREAS CHECKED

ORIGINAL SURVEY BY DATE  
 SURVEYED BY DATE  
 TEMPLATE NO.  
 NOTE BOOK NO.  
 AREAS CHECKED

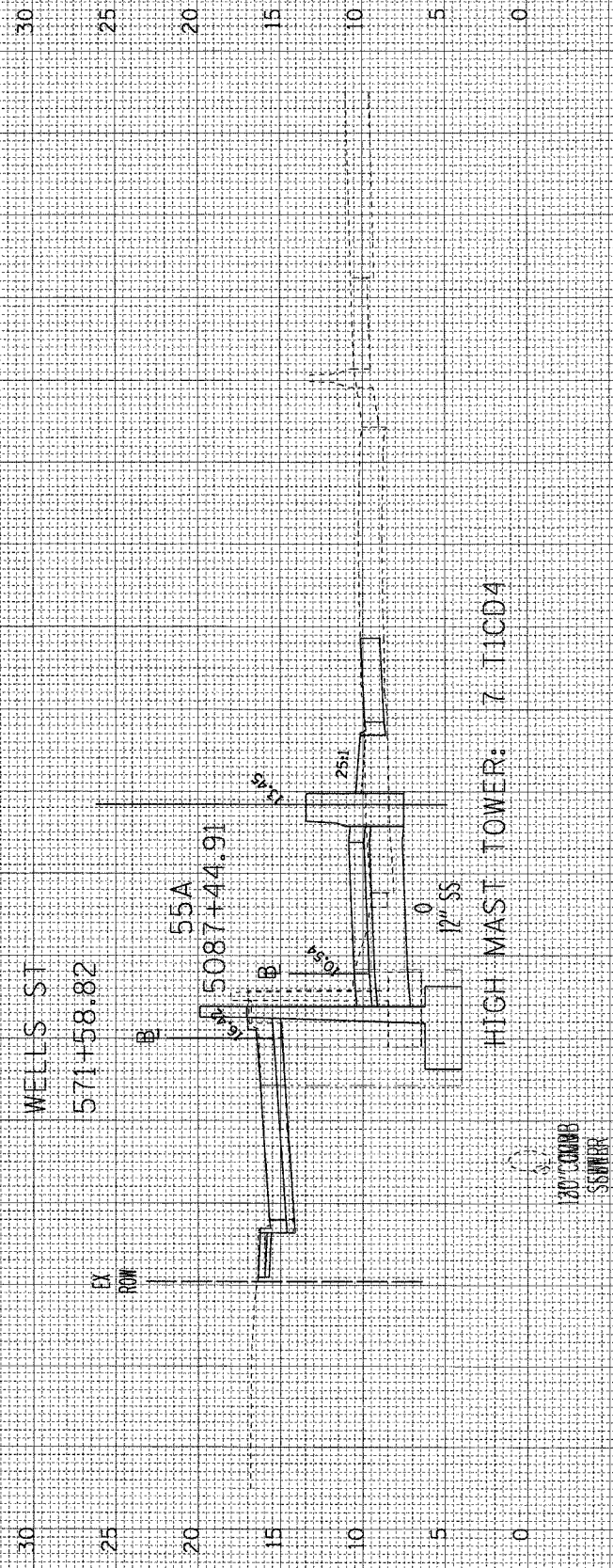
F.A.I. RTE.	SECTION	COUNTY	TOTAL SHEETS	SHEET NO.
90/94	2003-0311	COOK	976	568
<b>62583</b>				
FED. ROAD DIST. NO. 1 ILLINOIS FED. AID PROJECT				



EARTH EXC = 10 EMBANKMENT = 2 STR. EXC = 101 POC = B9 572+50.00



EARTH EXC = 51 EMBANKMENT = 15 STR. EXC = 88 POC = B0 572+00.00



EARTH EXC = 51 EMBANKMENT = 15 STR. EXC = 88 POC = B0 571+58.82