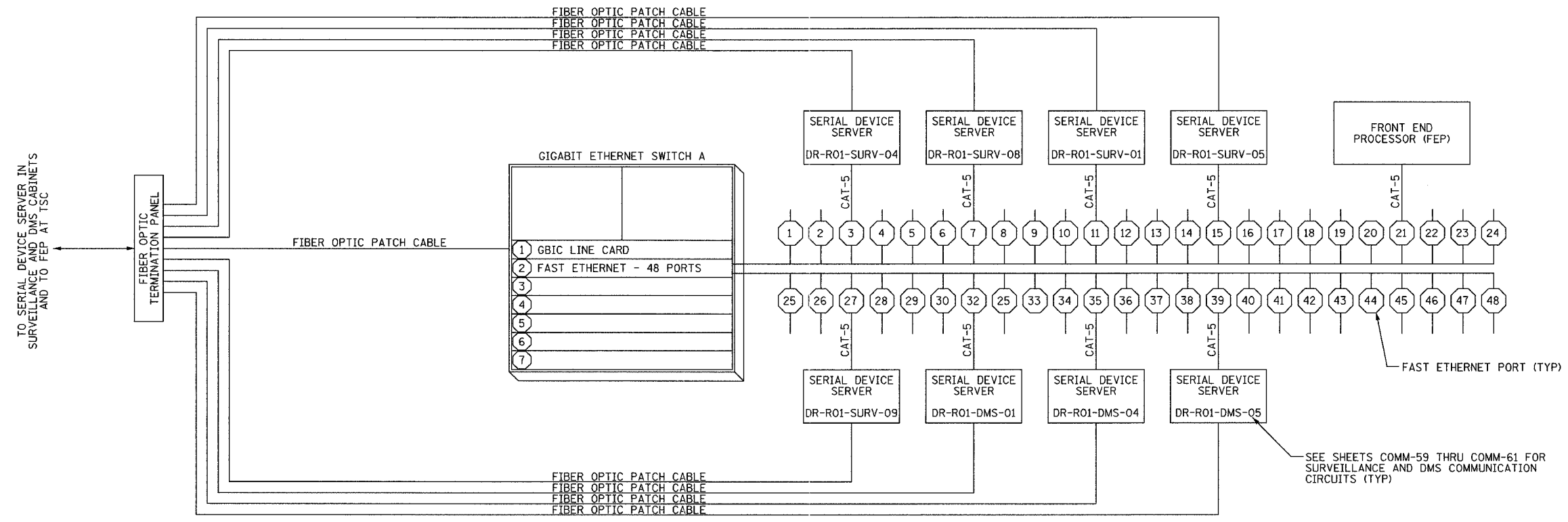


F.A.I. RTE.	SECTION	COUNTY	TOTAL SHEETS	SHEET NO.
94/90	2003-0311	COOK	976	839
STA.	TO STA.			
FED. ROAD DIST. NO.	ILLINOIS	FED. AID PROJECT		
62583				



NOTES:
 1. FOR FIBER OPTIC CABLE PATCHING AND TERMINATION DETAILS, SEE SHEETS COMM-110 THRU COMM-113.

REVISIONS	
NAME	DATE

ILLINOIS DEPARTMENT OF TRANSPORTATION
 F.A.I. 94/90 (DAN RYAN EXPRESSWAY)
 31st STREET to I-57
 I-57 SHELTER (R04)
 TRAFFIC SURVEILLANCE SYSTEM
 SCALE: NOT TO SCALE
 DATE: October 29, 2004
 DRAWN BY: DHI
 CHECKED BY: JEZ

Edwards AND Kelcey
 ONE NORTH FRANKLIN
 CHICAGO, IL 60606
 PHONE: (312) 251-3000
 FAX: (312) 251-3015
 WEB: WWW.EKCORP.COM

COMM-73

11/23/2004 12:59:33 PM