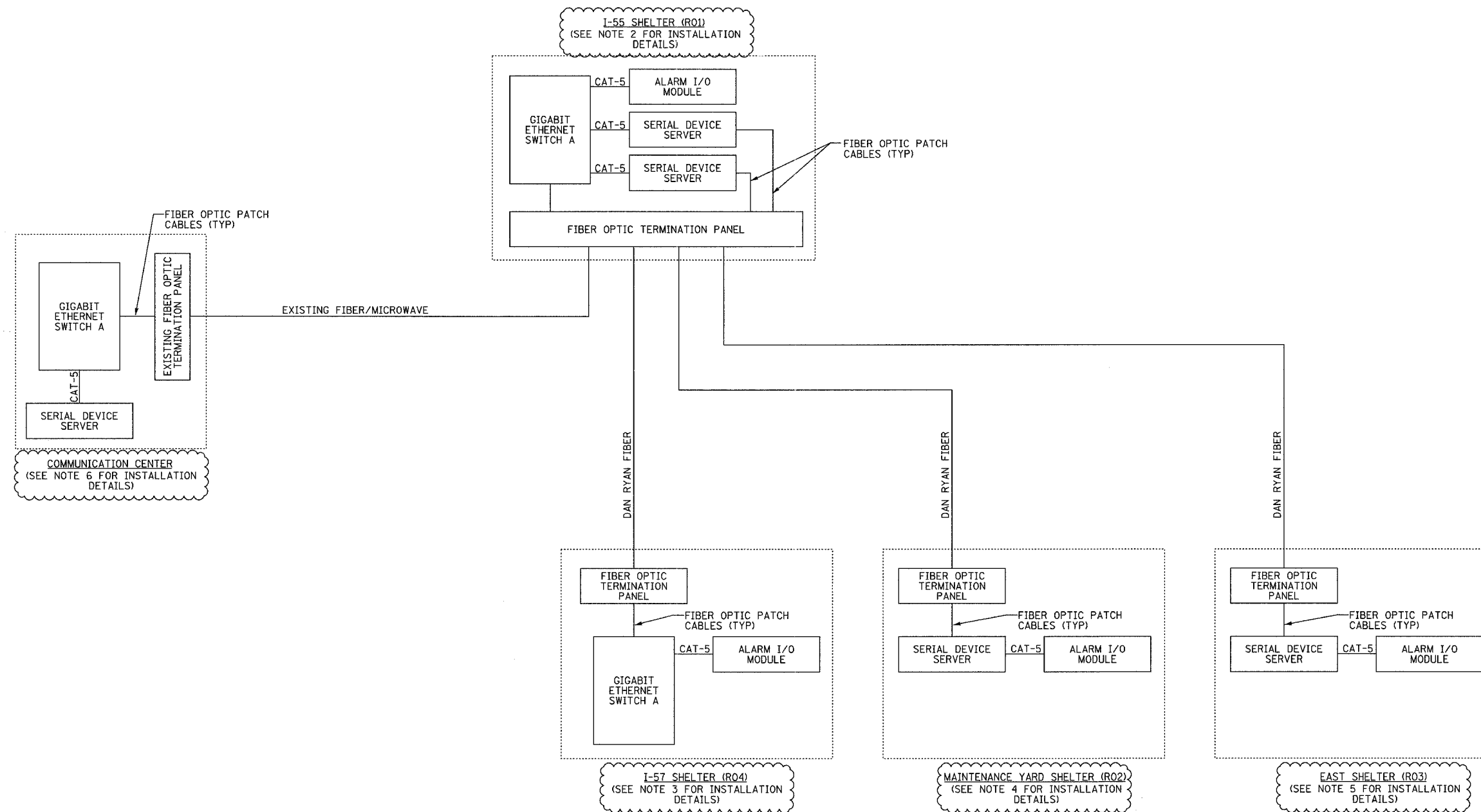


F.A.I. RTE.	SECTION	COUNTY	TOTAL SHEETS	SHEET NO.
94/90	2003-0311	COOK	976	840
STA.	TO STA.			
FED. ROAD DIST. NO.	ILLINOIS	FED. AID PROJECT		
62583				



- NOTES:**
1. SEE SHEETS COMM-110 THRU COMM-126 FOR FIBER OPTIC CABLE PATCHING AND TERMINATION DETAILS AT EACH ONE OF THE SHELTER LOCATIONS.
 2. SEE SHEETS COMM-85 THRU COMM-90 FOR INSTALLATION DETAILS AT THE I-55 SHELTER.
 3. SEE SHEETS COMM-95 THRU COMM-96 FOR INSTALLATION DETAILS AT THE I-57 SHELTER.
 4. SEE SHEETS COMM-80 THRU COMM-84 FOR INSTALLATION DETAILS AT THE MAINTENANCE YARD SHELTER.
 5. SEE SHEETS COMM-75 THRU COMM-79 FOR INSTALLATION DETAILS EAST SHELTER.
 6. SEE SHEETS COMM-101 THRU COMM-103 FOR INSTALLATION DETAILS AT THE COMMUNICATION CENTER.

REVISIONS	
NAME	DATE
REVISION 1	12/17/04

ILLINOIS DEPARTMENT OF TRANSPORTATION
 F.A.I. 94/90 (DAN RYAN EXPRESSWAY)
 31st STREET to I-57
 SHELTER ALARMS
 SYSTEM SCHEMATIC
 SCALE: NOT TO SCALE
 DATE: October 29, 2004
 DRAWN BY: DHJ
 CHECKED BY: JEZ

COMM-74

Edwards AND Kelcey
 ONE NORTH FRANKLIN
 CHICAGO, IL 60606
 PHONE: (312) 251-3000
 FAX: (312) 251-3015
 WEB: WWW.EXCORP.COM

12/15/2004 04:49:17 PM